

CASING RELIEF VALVE

Size 3/4" Threaded
Temperature Range Water, Air: to 180°F Max.
Materials
 Body & Cover: Cast Bronze ASTM B62
 Stainless Steel ASTM A743-CF-16Fa
 Trim: Brass & Stainless Steel 303
 Rubber: Buna-N® Synthetic Rubber

Flow Range: < 2500 GPM

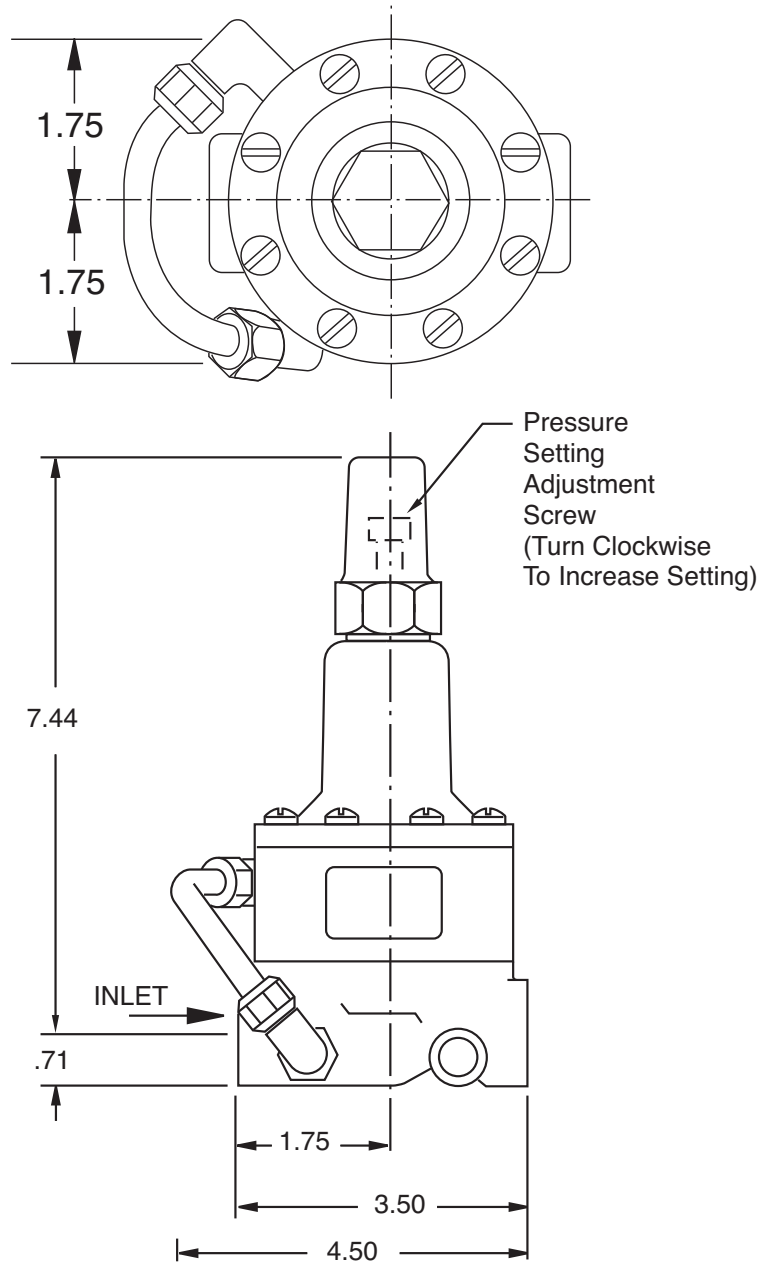
UL Listed 55L Range psi	Approximate Increase for Each Clockwise Turn of Adjusting Screw
20 to 175	28.0 psi

FM Approved 55L Range psi	Approximate Increase for Each Clockwise Turn of Adjusting Screw
0 to 75	8.5 psi
20 to 200	28.0 psi
100 to 300	18.0 psi

Pressure Ratings Cast Bronze 400 psi Max.
 Stainless Steel 400 psi Max.

Adjustment Ranges 0 to 75 psi
 20 to 200 psi
 100 to 300 psi

WEIGHT = 6 LBS



NOT FOR CONSTRUCTION, INSTALLATION OR APPLICATION PURPOSES UNLESS CERTIFIED		
CERTIFIED FOR:		
CUSTOMER ORDER NO.:	TAG NO.	
SHOP ORDER:	CERTIFIED BY:	DATE: