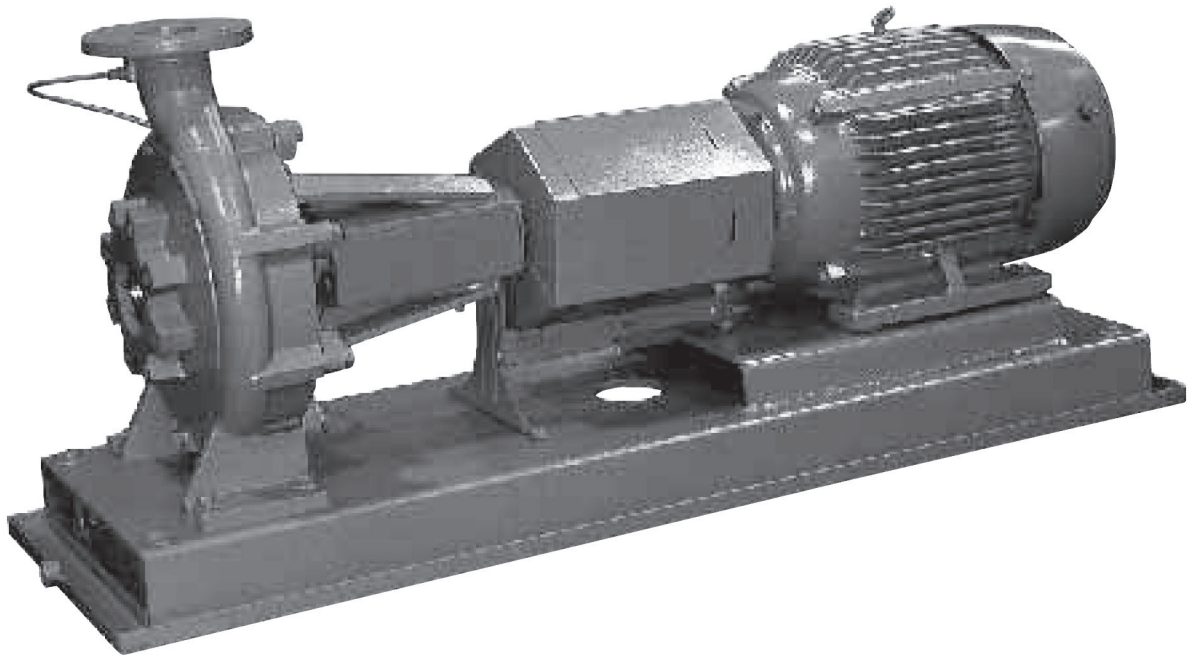


## PARTS LIST

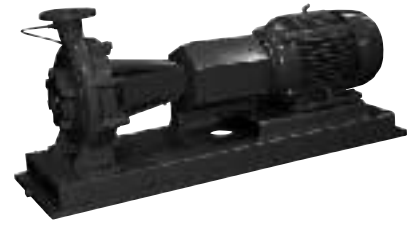
CP-601-PL



# Series 2000

Replacement Parts for 2000 Series Fire Pumps

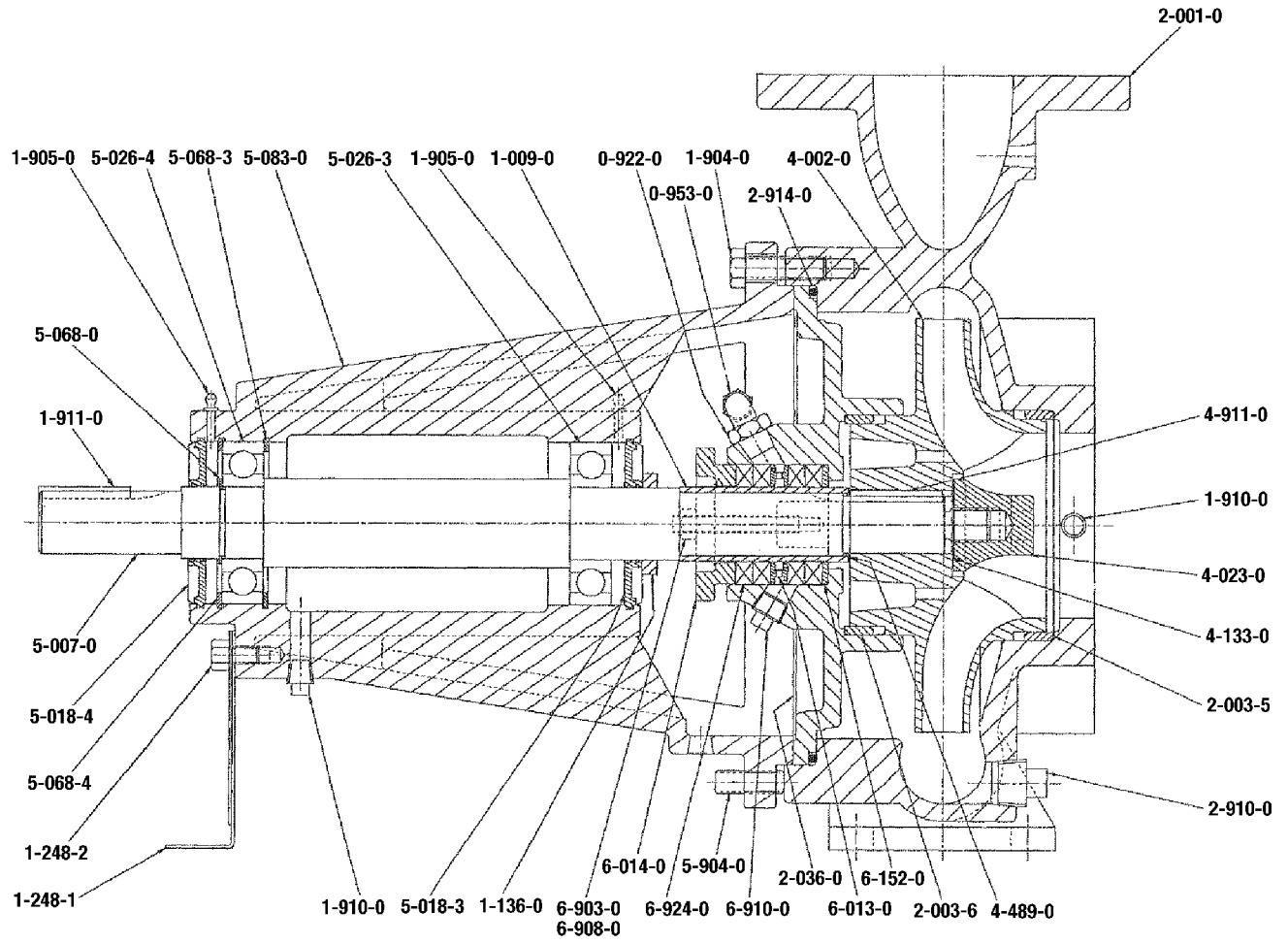
**AC** FIRE  
PUMP  
a xylem brand



## INDEX

Description	Page No.
Cross Section .....	3
3x2x6 <sup>1</sup> / <sub>2</sub> F and 4x3x9F .....	4
Repair Part Kits .....	5

# CROSS SECTION



Cat. No.	Part Description	Qty.	Material	Part Number	
				3x2x6 <sup>1</sup> / <sub>2</sub> F	4x3x9F
4-002-0	Impeller	1	Bronze	AC1208	AC1214
2-036-0	Stuff Box Cover	1	Cast Iron	AC0277	AC0289
* <b>2-003-6</b>	<b>Wear Ring (Stuff Box)</b>	<b>1</b>	<b>Bronze</b>	<b>AC0756</b>	<b>AC0759</b>
4-023-0	Impeller Nut	1	Stainless Steel	52-122-981-001	52-122-980-001
4-133-0	Impeller Nut Gasket	1	Vellumoid 505	52-122-982-002	52-122-982-001
4-911-0	Impeller Key	1	Steel	AC0520	AC0523
* <b>1-009-0</b>	<b>Shaft Sleeve</b>	<b>1</b>	<b>Bronze</b>	<b>AC0603</b>	<b>AC0607</b>
<b>4-489-0</b>	<b>Shaft Sleeve Gasket</b>	<b>1</b>	<b>Vellumoid 505</b>	<b>52-122-982-004</b>	<b>52-122-982-003</b>
2-001-0	Casing	1	Cast Iron	AC0239	AC0253
* <b>2-003-5</b>	<b>Wear Ring (Casing)</b>	<b>1</b>	<b>Bronze</b>	<b>AC0756</b>	<b>AC0761</b>
<b>2-914-0</b>	<b>O-Ring (Casing)</b>	<b>1</b>	<b>Rubber</b>	<b>AC0540</b>	<b>AC0541</b>
1-904-0	Bolts (Casing)	8	Steel	H52100	DJ0114
5-904-0	Jacking Screw	2	Steel	CP-617-017-468	CP-617-017-548
6-014-0	Gland	1	Stainless Steel	AC0661	AC0663
<b>6-908-0</b>	<b>Studs (Gland)</b>	<b>2</b>	<b>Stainless Steel</b>	<b>52-108-709-043</b>	→
<b>6-903-0</b>	<b>Nuts (Gland)</b>	<b>2</b>	<b>Stainless Steel</b>	<b>52-101-319-002</b>	→
<b>6-924-0</b>	<b>Packing</b>	<b>4</b>	<b>Grade "A"</b>	<b>AC0940</b>	<b>AC0941</b>
6-152-0	Packing Base Ring	1	Stainless Steel	52-122-983-001	52-122-983-002
6-013-0	Seal Cage	1	Teflon	AC0801	AC0802
6-952-0	By-Pass Piping	1	Plastic/Bronze	52-161-083-501	→
5-083-0	Frame	1	Cast Iron	52-123-938-001	52-123-939-001
5-007-0	Shaft	1	1045 Steel	AC0730	AC0732
<b>5-026-0</b>	<b>Bearing</b>	<b>2</b>	<b>Steel</b>	<b>AC0550</b>	<b>AC0551</b>
5-018-0	Bearing Cap	2	Rubber	AC0701	AC0700
<b>5-068-0</b>	<b>Shaft Ret. Ring</b>	<b>1</b>	<b>Steel</b>	<b>AC0517</b>	<b>AC0518</b>
<b>5-068-4</b>	<b>Ret. Ring (Otb.)</b>	<b>1</b>	<b>Steel</b>	<b>AC0513</b>	<b>AC0514</b>
<b>5-068-3</b>	<b>Ret. Ring (Inb.)</b>	<b>1</b>	<b>Steel</b>	<b>AC0510</b>	<b>AC0511</b>
1-911-0	Coupling Key	1	Steel	AC0520	AC0522
1-136-0	Shaft Seal	1	Rubber	AC0622	AC0620
1-910-0	Pipe Plug (.250)		Steel	AC0532 (4 req'd)	AC0532 (2 req'd)
1-910-0	Pipe Plug (.250)		Brass	CP-711-523-002 (2 req'd)	CP-711-523-002 (1 req'd)
6-910-0	Pipe Plug (.375)	1	Steel	N/A	P39075
2-910-0	Pipe Plug (.500)	1	Brass	CP-711-523-004	N/A
2-910-0	Pipe Plug (.750)	1	Brass	N/A	CP-711-523-006
0-922-0	Reducing Bushing	1	Malleable Iron	N/A	CP-711-087-013
1-248-1	Foot	1	Steel	AC0930	→
1-248-2	Foot Bolt	1	Steel	S43640	→
1-248-3	Foot Washer	1	Steel	P16690	→
1-905-0	Grease Fitting	2	Steel	P70614	→

**Bold Face** – Parts Included in Minor Repair Kits. See page 5.

\* – Parts included in Major Repair Kit. See page 5.

<b>3x2x6<sup>1</sup>/<sub>2</sub>F</b>			
<b>MINOR REPAIR KIT Part No. 1DN037</b>			
<b>Cat. No.</b>	<b>Part Description</b>	<b>Qty.</b>	<b>Part Number</b>
1-904-9	Gland Studs	2	52-108-709-043
6-903-0	Gland Nuts	2	52-101-319-002
5-026-0	Bearing	2	AC0550
2-914-0	Casing O-Ring	1	AC0540
4-489-0	Shaft Sleeve Gasket	1	52-122-982-004
4-133-0	Impeller Nut Gasket	1	52-122-982-002
5-068-4	Retainer Ring (Otb.)	1	AC0513
5-068-3	Retainer Ring (Inb.)	1	AC0510
5-068-0	Shaft Retainer Ring	1	AC0517
6-924-0	Packing	4	AC0940
<b>MAJOR REPAIR KIT Part No. 1DN038</b>			
–	Minor Repair Kit	1	1DN037
1-009-0	Shaft Sleeve	1	AC0603
2-003-5	Wear Ring (Casing)	1	AC0756
2-003-6	Wear Ring (Stuff Box)	1	AC0756

<b>4x3x9F</b>			
<b>MINOR REPAIR KIT Part No. 1DN039</b>			
<b>Cat. No.</b>	<b>Part Description</b>	<b>Qty.</b>	<b>Part Number</b>
1-904-9	Gland Studs	2	52-108-709-043
6-903-0	Gland Nuts	2	52-101-319-002
5-026-0	Bearing	2	AC0551
2-914-0	Casing O-Ring	1	AC0541
4-489-0	Shaft Sleeve Gasket	1	52-122-982-003
4-133-0	Impeller Nut Gasket	1	52-122-982-001
5-068-4	Retainer Ring (Otb.)	1	AC0514
5-068-3	Retainer Ring (Inb.)	1	AC0511
5-068-0	Shaft Retainer Ring	1	AC0518
6-924-0	Packing	4	AC0941
<b>MAJOR REPAIR KIT Part No. 1DN040</b>			
–	Minor Repair Kit	1	1DN039
1-009-0	Shaft Sleeve	1	AC0607
2-003-5	Wear Ring (Casing)	1	AC0761
2-003-6	Wear Ring (Stuff Box)	1	AC0759

# Xylem |'zīləm|

- 1) The tissue in plants that brings water upward from the roots;
- 2) a leading global water technology company.

We're 12,500 people unified in a common purpose: creating innovative solutions to meet our world's water needs. Developing new technologies that will improve the way water is used, conserved, and re-used in the future is central to our work. We move, treat, analyze, and return water to the environment, and we help people use water efficiently, in their homes, buildings, factories and farms. In more than 150 countries, we have strong, long-standing relationships with customers who know us for our powerful combination of leading product brands and applications expertise, backed by a legacy of innovation.

**For more information on how Xylem can help you, go to [www.xyleminc.com](http://www.xyleminc.com)**



Xylem Inc.  
8200 N. Austin Avenue  
Morton Grove, Illinois 60053  
Phone: (847) 966-3700  
Fax: (847) 965-8379  
[www.xyleminc.com/brands/acfirepump](http://www.xyleminc.com/brands/acfirepump)