



# SC0511AV

SUBMERSIBLE SUMP/EFFLUENT PUMP



**Bell & Gossett**

a xylem brand

## Wastewater

**FEATURES**

Corrosion resistant construction

Cast iron body

Thermoplastic impeller and cover

Upper sleeve and lower heavy duty ball bearing construction.

Motor is permanently lubricated for extended service life.

Powered for continuous operation.

All ratings are within the working limits of the motor.

Power cord, 10' standard length, heavy duty 16/3 SJTW with 115 volt grounding plug and vertical switch.

Complete unit is heavy duty, portable and compact.

Mechanical seal is carbon, ceramic, BUNA and stainless steel.

Stainless steel fasteners

**APPLICATIONS**

Specially designed for the following uses:

- Basement Draining
- Dewatering
- Water Transfer
- Effluent Transfer

**SPECIFICATIONS****Pump - General:**

- Discharge: 1½" NPT
- Temperature: 104°F (40°C) maximum, continuous when fully submerged.
- Solids handling: ½" maximum sphere.
- Automatic models include a float switch.
- Pumping range: see performance chart or curve.

**SC0511AV Pump:**

- Maximum capacity: 61 GPM
- Maximum head: 29' TDH

**AGENCY LISTINGS**

Tested to UL 778 and CSA 22.2 108 Standards  
By Canadian Standards Association  
File #LR38549

**PERFORMANCE RATINGS****SC0511AV**

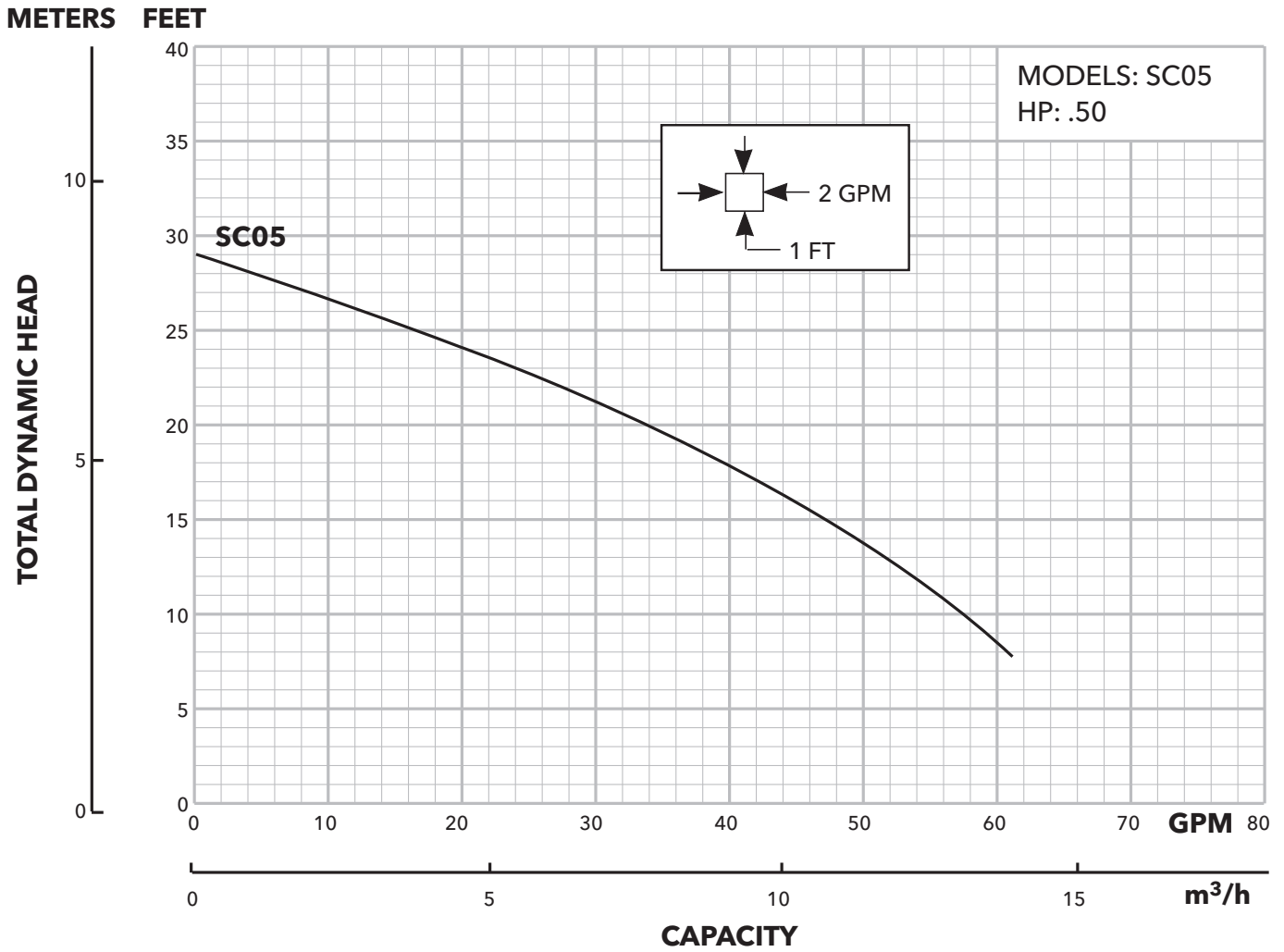
Total Head (feet of water)	GPM
10	60
15	47
20	33
25	16

**MOTOR****General:**

- Single phase
- 60 Hertz
- 115 volts
- Built-in thermal overload protection with automatic reset.
- Class B insulation
- Oil-filled design
- High strength carbon steel shaft

**SC0511AV Motor:**

- .50 HP, 3400 RPM
- 115 volts
- PSC design

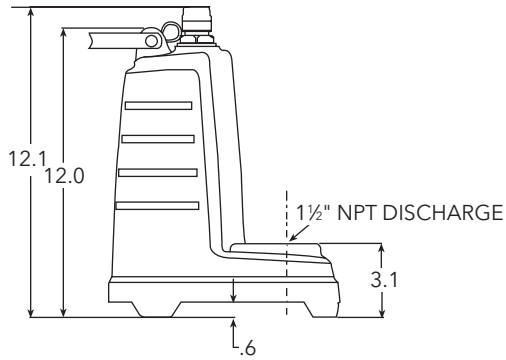
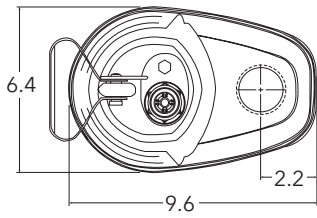


### PUMP INFORMATION

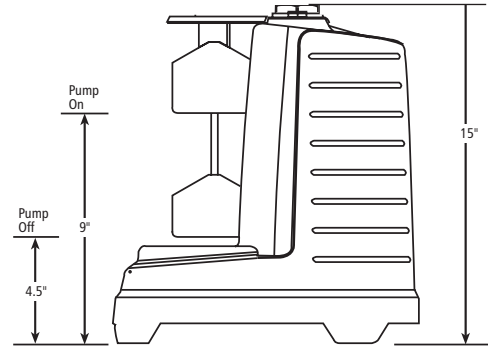
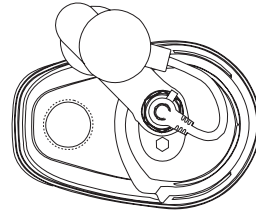
Order No.	HP	Phase	Volts	Amp Draw	RPM	Float Switch Style	Cord Length	Discharge Connection	Minimum Basin Diameter	Maximum Solids Size	Shipping Weight lbs/kg
SC0511AV	½	1	115	7.5	3450	Built-In Vertical	10'	1.5"	18"	.5"	31
SC0511PV						Piggy-Back Vertical					

## DIMENSIONS

(All dimensions are in inches. Do not use for construction purposes.)



## VERTICAL FLOAT SWITCH



**xylem**  
Let's Solve Water

Xylem Inc.  
2881 East Bayard Street Ext., Suite A  
Seneca Falls, NY 13148  
Phone: (866) 325-4210  
Fax: (888) 322-5877  
[www.xylem.com/bellgossett](http://www.xylem.com/bellgossett)

Bell & Gossett is a trademark of Xylem Inc. or one of its subsidiaries.  
© 2019 Xylem Inc. BSC51 R5 September 2019