

TECHNICAL BROCHURE

BMWP23X30 R3

FEATURES

2WC Non-clog

Ribbed 23x30 Polyethylene Basin

Fully assembled at the factory for simplified installation.

Swing type 2" check valve:

- A9-2PH rubber sleeve type
- A9-2P compression type

Schedule 40, 2" PVC discharge pipe with 1/8" bleed hole is factory installed.

Structural foam cover is strong and corrosion resistant.

Vent grommets for both 2" and 3" vent provided. Adds system flexibility and reduces inventory.

Torque stop insert to stabilize the pump.

Ribbed Basin Inlet Hub is a molded-in, slip-fit type for connection using flexible, slip-fit connectors and clamps (not included).

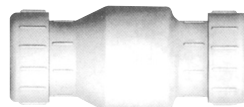
SPECIFICATIONS

23 x 30 _ Basin:

Ribbed polyethylene basin • Usable capacity: 24.8 gallons
Dimensions: 23" w x 30" h • Inlet: 4" inlet hub



A9-2PH



A9-2P

MWPP23X30

ASSEMBLED WASTEWATER PACKAGES



Bell & Gossett

a xylem brand

PACKAGE WITH PS PUMP

PACKAGE ORDER NUMBER	PUMP	VOLTS	①			
			BASIN	COVER	CHECK VALVE	DISCHARGE PIPE
MWP1111	2WC051AF	115	Ribbed Polyethylene 23" Diameter x 30" High with 4" Slip Type Inlet Hub and Pump Torque Stop Insert	18" Structural Foam Cover with Bolts, Sealing Tape and (2) 2" and (1) 3" Vent and Discharge Grommets	A9-2PH 2" Rubber Sleeve Type	2" Diameter x 30" Long Schedule 40 PVC Discharge Pipe
MWP1123	2WC041AV	115				
MWP1213	2WC051AV	115			A9-2P 2" Compression Type	

PUMP INFORMATION ②

PUMP MODEL	HP	VOLTS	MAXIMUM AMPS	MINIMUM CIRCUIT BREAKER	PHASE	FLOAT SWITCH STYLE	POWER CORD LENGTH	DISCHARGE CONNECTION	MAXIMUM SOLID SIZE
2WC041AV	0.4	115	10	20	1	T-spliced wide angle	10'	2"	2"
2WC051AV			13						
2WC051AF	0.5		Piggyback wide angle			20'			

① Information on individual basin components for "replacement parts" may be found in the Basin Section, kit numbers CWK11, CWK12, CWK21, CWK22 and CWK23.

② Additional pump information may be found on the pump bulletin.

PS41 PERFORMANCE CHART - See "Performance Chart Note"

Pipe Length (Feet)	GPM									
	Vertical Head (Feet)									
	2	4	6	8	10	12	14	16	18	20
25	96	88	82	74	65	54	43	33	24	14
50	83	77	70	63	56	47	38	30	22	13
75	74	68	62	56	49	42	35	28	21	13
100	67	62	57	51	45	39	33	26	19	12
150	57	53	48	44	39	34	29	23	17	11
200	51	47	43	39	35	31	26	22	16	10
250	46	43	39	36	33	28	24	21	16	10
300	43	39	37	34	30	27	23	19	15	9

PS51 PERFORMANCE CHART - See "Performance Chart Note"

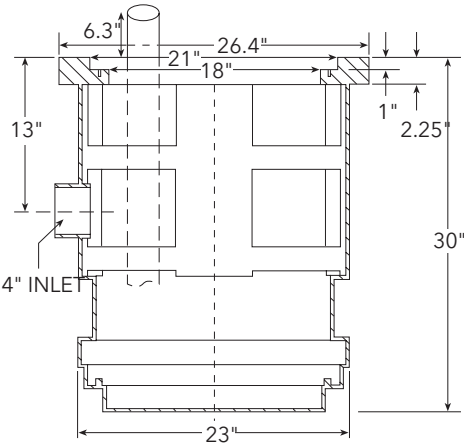
Pipe Length (Feet)	GPM									
	Vertical Head (Feet)									
	2	4	6	8	10	12	14	16	18	20
25	105	99	91	84	75	65	55	45	35	25
50	90	85	78	71	63	56	48	40	32	24
75	80	74	69	62	57	50	44	37	30	22
100	72	67	62	57	52	46	40	34	28	21
150	61	58	54	49	45	40	35	31	25	18
200	54	51	48	44	40	36	32	28	23	17
250	50	47	44	40	37	34	30	26	21	16
300	46	43	40	37	34	31	28	24	20	15

NOTE: Shaded area does not meet 21 GPM. Minimum Scouring Velocity for 2" pipe.

NOMENCLATURE

CHARACTER	CODE		
1 - 3	MWP = B&G	Assembled Vortex Wastewater Package	
4 and 5	11	23" x 30" Ribbed basin with A9-2PH check valve	
	12	23" x 30" Ribbed basin with A9-2P check valve	
6 and 7	11	2WC051AF	20' Piggyback wide angle
	13	2WC051AV	10' T- Spliced vertical switch
	23	2WC041AV	10' T- Spliced vertical switch

Ribbed 23 x 30 Basin Dimensions



For additional basin kit data, see basin bulletins BCPCWK11.

Xylem |'zīləm|

- 1) The tissue in plants that brings water upward from the roots;
- 2) a leading global water technology company.

We're a global team unified in a common purpose: creating innovative solutions to meet our world's water needs. Developing new technologies that will improve the way water is used, conserved, and re-used in the future is central to our work. We move, treat, analyze, and return water to the environment, and we help people use water efficiently, in their homes, buildings, factories and farms. In more than 150 countries, we have strong, long-standing relationships with customers who know us for our powerful combination of leading product brands and applications expertise, backed by a legacy of innovation.

For more information on how Xylem can help you, go to www.xylem.com



Xylem Inc.
2881 East Bayard Street Ext., Suite A
Seneca Falls, NY 13148
Phone: (866) 325-4210
Fax: (888) 322-5877
www.bellgossett.com

Bell & Gossett is a trademark of Xylem Inc. or one of its subsidiaries.
© 2015 Xylem Inc. BMWP23X30 R3 April 2015