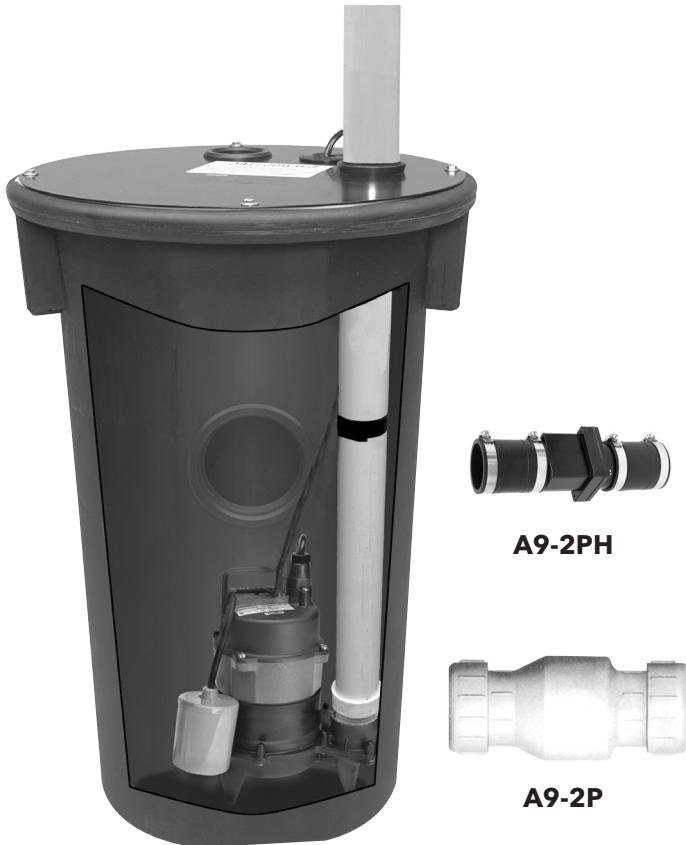


TECHNICAL BROCHURE

BMWP18X30 R3



FEATURES

Choice of Pumps:

- 2VW Vortex
- 2WC Non-clog

Roll Top 18x30 Polyethylene Basin

Fully assembled at the factory for simplified installation.

Structural foam cover is strong and corrosion resistant.

Vent grommets for both 2" and 3" vent provided. Adds system flexibility and reduces inventory.

Thermoplastic 4" uniseal inlet grommet.

Factory preset mechanical float switch for dependable automatic operation.

Torque stop insert to stabilize the pump.

Swing type 2" check valve:

- A9-2PH rubber sleeve type
- A9-2P compression type

Schedule 40, 2" PVC discharge pipe with 1/8" bleed hole is factory installed.

SPECIFICATIONS

18 x 30 _ Basin:

Roll top polyethylene basin • Usable capacity: 14 gallons

Dimensions: 18" w x 30" h • Inlet: 4" inlet grommet

MWP18X30

ASSEMBLED WASTEWATER PACKAGES



Bell & Gossett

a xylem brand

PACKAGE WITH 2VW05 VORTEX PUMP

PACKAGE ORDER NUMBER	PUMP	VOLTS	①			
			BASIN	COVER	CHECK VALVE	DISCHARGE PIPE
MWP2142	2VW052AF	115	Roll Top Polyethylene 18" Diameter x 30" High with 4" Inlet Grommet and Pump Torque Stop Insert	18" Structural Foam Cover with Bolts, Sealing Tape and (2) 2" and (1) 3" Vent and Discharge Grommets	A9-2PH 2" Rubber Sleeve Type	2" Diameter x 30" Long Schedule 40 PVC Discharge Pipe
MWP2145	2VW051A					

PUMP INFORMATION ②

PUMP MODEL	HP	VOLTS	MAX. AMPS	MIN. CIRCUIT BREAKER	PHASE	FLOAT SWITCH STYLE	POWER CORD LENGTH	DISCHARGE CONNECTION	MAXIMUM SOLID SIZE
2VW051A	0.5	115	13	20	1	Piggyback wide angle	10'	2"	2"
2VW052AF		230	6.5	15			20'		

① Information on individual basin components for "replacement parts" may be found in the Basin Section, kit numbers CWK11, CWK12, CWK21, CWK22 and CWK23.

② Additional pump information may be found on the pump bulletin.

2VW05 PERFORMANCE CHART - See "Performance Chart Note"

Pipe Length (Feet)	GPM									
	Vertical Head (Feet)									
	2	4	6	8	10	12	14	16	18	20
25	95	89	83	77	70	62	53	45	35	22
50	83	78	73	67	61	55	48	40	31	20
75	76	71	66	61	55	50	43	37	28	18
100	69	65	61	56	51	46	40	33	26	17
150	60	57	53	49	45	40	35	29	23	16
200	54	51	48	44	40	36	32	27	21	14
250	49	47	44	40	37	33	29	24	19	13
300	46	43	40	37	34	31	27	23	18	12

NOTE: Shaded area does not meet 21 GPM. Minimum Scouring Velocity for 2" pipe.

PERFORMANCE CHART NOTE

These charts show actual system performance with friction loss factored in for various discharge pipe lengths. Calculations and performance based on a system with 2" PVC, schedule 40 plastic pipe (C150), (4) 90° elbows, (1) check valve and (1) shut-off valve. Wastewater requires a minimum scouring velocity of 21 gpm for 2" pipe. Shaded areas do not provide minimum scouring velocity - use only for gray water with no solids.

PACKAGE WITH 2WC PUMP

PACKAGE ORDER NUMBER	PUMP	VOLTS	①			
			BASIN	COVER	CHECK VALVE	DISCHARGE PIPE
MWP2124	2WC041A1	115	Roll Top Polyethylene 18" Diameter x 30" High with 4" Inlet Grommet and Pump Torque Stop Insert	18" Structural Foam Cover with Bolts, Sealing Tape and (2) 2" and (1) 3" Vent and Discharge Grommets	A9-2PH 2" Rubber Sleeve Type	2" Diameter x 30" Long Schedule 40 PVC Discharge Pipe
MWP2211	2WC051AF				A9-2P 2" Compression Type	
MWP2221	2WC041AF					

PUMP INFORMATION ②

PUMP MODEL	HP	VOLTS	MAX. AMPS	MIN. CIRCUIT BREAKER	PHASE	FLOAT SWITCH STYLE	POWER CORD LENGTH	DISCHARGE CONNECTION	MAXIMUM SOLID SIZE
2WC041A1	0.4	115	10	20	1	T-spliced vertical	10'	2"	2"
2WC041AF						Piggyback wide angle	20'		
2WC051AF	0.5		13			Piggyback wide angle			

① Information on individual basin components for "replacement parts" may be found in the Basin Section, kit numbers CWK11, CWK12, CWK21, CWK22 and CWK23.

② Additional pump information may be found on the pump bulletin.

2WC04 PERFORMANCE CHART - See "Performance Chart Note"

Pipe Length (Feet)	GPM									
	Vertical Head (Feet)									
	2	4	6	8	10	12	14	16	18	20
25	96	88	82	74	65	54	43	33	24	14
50	83	77	70	63	56	47	38	30	22	13
75	74	68	62	56	49	42	35	28	21	13
100	67	62	57	51	45	39	33	26	19	12
150	57	53	48	44	39	34	29	23	17	11
200	51	47	43	39	35	31	26	22	16	10
250	46	43	39	36	33	28	24	21	16	10
300	43	39	37	34	30	27	23	19	15	9

2WC05 PERFORMANCE CHART - See "Performance Chart Note"

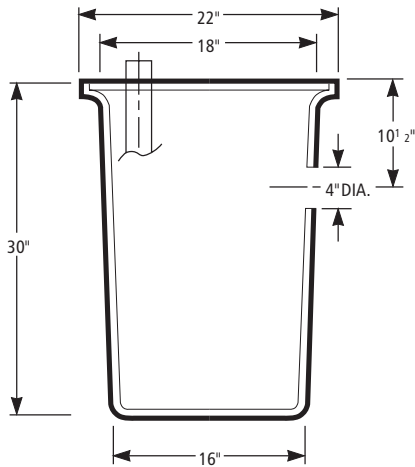
Pipe Length (Feet)	GPM									
	Vertical Head (Feet)									
	2	4	6	8	10	12	14	16	18	20
25	105	99	91	84	75	65	55	45	35	25
50	90	85	78	71	63	56	48	40	32	24
75	80	74	69	62	57	50	44	37	30	22
100	72	67	62	57	52	46	40	34	28	21
150	61	58	54	49	45	40	35	31	25	18
200	54	51	48	44	40	36	32	28	23	17
250	50	47	44	40	37	34	30	26	21	16
300	46	43	40	37	34	31	28	24	20	15

NOTE: Shaded area does not meet 21 GPM. Minimum Scouring Velocity for 2" pipe.

NOMENCLATURE

CHARACTER	CODE		
1 - 3	MWP = B&G	Assembled Wastewater Package	
4 and 5	21	18" x 30" Poly basin with A9-2PH check valve	
	22	18" x 30" Poly basin with A9-2P check valve	
6 and 7	11	2WC051AF	20' Piggyback wide angle
	21	2WC041AF	20' Piggyback wide angle
	24	2WC041A1	10' T- Spliced wide angle
	42	2VW052AF	20' Piggyback wide angle
	45	2VW051A	10' Piggyback wide angle

Roll Top 18 x 30 Basin Dimensions



For additional basin kit data, see basin bulletins BCPCWK21.



Xylem Inc.
2881 East Bayard Street Ext., Suite A
Seneca Falls, NY 13148
Phone: (866) 325-4210
Fax: (888) 322-5877
www.bellgossett.com

Bell & Gossett is a trademark of Xylem Inc. or one of its subsidiaries.
© 2015 Xylem Inc. BMWP18X30 R3 April 2015