



4MK/MV **impact**[™]

SUBMERSIBLE 4" SEWAGE PUMP - DUAL SEAL WITH SEAL SENSOR PROBE



Bell & Gossett

a xylem brand

FEATURES

Impeller: Cast iron, vortex and non-clog style, dynamically balanced with pump out vanes for mechanical seal protection.

K model designation for non-clog impeller

V model designation for vortex impeller

Casing: Cast iron 4" ANSI 150# self-cleaning design for non-clogging.

Efficient air-filled motor

Stand: Optional stand for mounting without slide rail configuration. Part number: 7482200

Dual Mechanical Seals:

Up to 5 HP: For standard pumps, Tungsten Carbide vs. Ceramic seal faces standard on outer seals. Carbon vs. Ceramic standard on inner seals.

Over 5 HP: Tungsten Carbide vs. Tungsten Carbide faces standard on outer seals. Tungsten Carbide vs. Carbon standard on inner seals.

All elastomers shall be nitrile.

For All Explosion Proof: Tungsten Carbide vs. Ceramic faces standard on outer and inner seals.

< 5 HP use viton elastomers, > 5 HP use nitrile.

Seal Sensor / High Temperature Probe: Located in motor housing. If pumpage should begin to leak past both seals it indicates to pump control panel a fault has occurred. Requires MiniCAS device in the control panel.

Capable of running dry without damage to components.

Designed for continuous operation, when fully submerged.

Explosion-proof available as option. FM approved.

Shaft: Corrosion resistant, 400 series stainless steel. Taper lock and impeller bolt on all models to guard against component damage on accidental reverse rotation.

Fasteners: 300 series stainless steel.

Grease for life bearings

**APPLICATIONS**

Specifically designed for the following uses:

- Sewage systems
- Dewatering/Effluent
- Water transfer
- Light industrial
- Commercial applications

Anywhere waste or drainage must be disposed of quickly, quietly and efficiently.

SPECIFICATIONS**Pump:**

- Maximum soft solid size: 3"
- Capacities: up to 1200 GPM
- Total heads: up to 80' TDH
- Discharge size: 4" ANSI Flange

Motor:

- Maximum ambient temperature: 104° F (40° C) continuous duty
- Rated for continuous duty when fully submerged
- Insulation: Class H
- 60 Hertz

- Single row ball bearings
- 400 Series stainless steel taper lock shaft
- Requires overload protection in panel (not included)
- Includes high temperature sensor for winding protection

AIR-FILLED MOTOR

- Efficient heat dissipation
- Run dry capability
- Class H insulation
- Designed for Continuous Operation: Pump ratings are within the motor manufacturer's recommended working limits and can be operated continuously without damage when fully submerged.
- Bearings: Upper and lower heavy duty ball bearing construction for precision positioning of parts and to carry thrust loads.
- High temperature winding protection
- Cord: Severe duty rated, oil and water resistant. 30 foot standard.
- O-ring: Assures positive sealing against contaminants and oil leakage.

NOMENCLATURE DESCRIPTION

1st Character - Discharge Size

4 = 4" discharge

2nd and 3rd Characters - Series/Solids Size

MV = Vortex

MK = Non-clog

4th Character - HP

31 = 3.1 HP

40 = 4.0 HP

50 = 5.0 HP

51 = 5.1 HP

60 = 6.0 HP

75 = 7.5 HP

10 = 10.0 HP

5th Character - Mechanical Seals

2 = 60 Hz/1750 RPM

6th Character - Phase/Voltage

2 = three phase, 200 V

3 = three phase, 230 V

4 = three phase, 460 V

5 = three phase, 575 V

7th Character - Impeller Diameter

MK

MV

A = 8.50"

A = 7.95"

B = 7.91"

B = 7.28"

C = 7.24"

C = 6.69"

D = 6.81"

F = 6.89"

E = 7.05"

G = 6.30"

G = 6.57"

H = 5.79"

H = 6.10"

8th Character - Cord Length

D = 30' (standard)

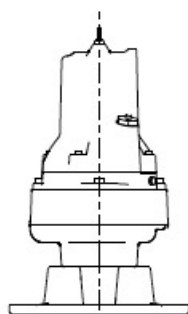
J = 100' (optional)

9th Character

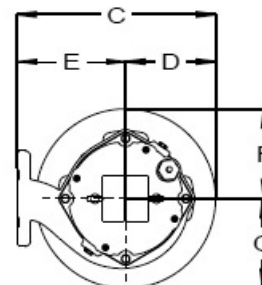
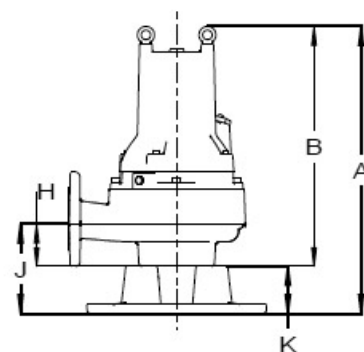
X = FM Approved Explosion Proof

E = Epoxy Coat

XE = FM Approved Explosion Proof and Epoxy Coat



* Shown with support kit (sold separately).



DIMENSIONS

Bell & Gossett Model No.	A	B	C	D	E	F	G	H	J	K
4MK A, B, C, D Impeller	27.24" [692]	23.31" [592]	20.59" [523]	8.39" [213]	12.20" [310]	7.64" [194]	9.13" [232]	4.61" [117]	8.54" [217]	3.94" [100]
4MK F, G, H Impeller	24.57" [624]	20.63" [524]	18.70" [475]	7.48" [190]	11.22" [285]	7.48" [190]	7.48" [190]	4.29" [109]	8.23" [209]	3.94" [100]
4MV A, B, C, D Impeller	30.47" [774]	26.54" [674]	17.13" [435]	7.48" [190]	9.65" [245]	7.48" [190]	7.48" [190]	4.84" [123]	8.78" [223]	3.94" [100]
4MV F, G, H Impeller	26.50" [673]	22.56" [573]	16.34" [415]	7.48" [190]	8.86" [225]	7.48" [190]	7.48" [190]	4.72" [120]	8.66" [220]	3.94" [100]
4MK - X A, B, C, D Impeller	28.90" [734]	24.96" [634]	20.59" [523]	8.39" [213]	12.20" [310]	7.64" [194]	9.13" [232]	4.61" [117]	8.54" [217]	3.94" [100]
4MK - X F, G, H Impeller	27.52" [699]	23.62" [600]	18.70" [475]	7.48" [190]	11.22" [285]	7.48" [190]	7.48" [190]	4.29" [109]	8.23" [209]	3.94" [100]
4MV - X A, B, C, D Impeller	32.09" [815]	28.15" [715]	17.87" [454]	8.23" [209]	9.65" [245]	7.48" [190]	7.48" [190]	4.84" [123]	8.78" [223]	3.94" [100]
4MV - X F, G, H Impeller	29.49" [749]	25.55" [649]	16.34" [415]	7.48" [190]	8.86" [225]	7.48" [190]	7.48" [190]	4.72" [120]	8.66" [220]	3.94" [100]

Stand Optional, Part no. 15K80

4MK - 1750 RPM MODEL AND MOTOR INFORMATION

Model No.	HP	Volts	Phase/Hz	Rated Current (Amps)	RPM	Impeller Diameter In (mm)	Insulation Class	Run Capacitor (mfd/ volt)	Start Capacitor (mfd/ volt)	Resistance (Ohms)	Aux. Resistance (Ohms)	Start Current (LR Amps)	Rated Motor kVA [Code]	Rated Motor Eff. (%)	Rated Power Factor (cos phi)	Starting Torque (N/M)	Max. Torque (N/M)	Pump Weight (lbs.)	Cable Size with water detector and thermostats																				
4MK1022AD	10.0 (7.5 Kw)	200	3/60	31.0	1750	"A" 8.50" (216 mm)	H	N/A	N/A	0.505	N/A	157	5.4 [F]	85.1	0.83	60.0	98.3	285	10AWG / 3-2-1-GC																				
4MK1023AD		230		27.0								0.500		136	84.7	0.82	58.0			97.4																			
4MK1024AD		460		14.0								2.000	68	84.7	0.82	58.0	97.4																						
4MK1025AD		575		11.0								4.230	56	5.5 [F]	84.9	0.82	61.0			99.7																			
4MK7522BD	7.5 (5.6 Kw)	200		23.5		0.505						157	"B" 7.91" (201 mm)	N/A	N/A	0.505	N/A			157	5.4 [F]	85.1	0.83	60.0	98.3	285	10AWG / 3-2-1-GC												
4MK7523BD		230		21.2		0.500						136								84.7		0.82	58.0	97.4															
4MK7524BD		460		10.6		2.000						68								84.7	0.82	58.0	97.4																
4MK7525BD		575		8.3		4.230						56								5.5 [F]	84.9	0.82	61.0	99.7															
4MK6022CD	6.0 (4.5 Kw)	200		19.0		0.505						157	"C" 7.24" (184 mm)							N/A	N/A	0.505	N/A	157	5.4 [F]			85.1	0.83	60.0	98.3	285	10AWG / 3-2-1-GC						
4MK6023CD		230		17.2		0.500						136												84.7				0.82	58.0	97.4									
4MK6024CD		460		8.6		2.000						68												84.7	0.82			58.0	97.4										
4MK6025CD		575		6.8		4.230						56												5.5 [F]	84.9			0.82	61.0	99.7									
4MK5122DD	5.1 (3.8 Kw)	200		17.7		0.505						157	"D" 6.81" (173 mm)											H	N/A			0.505	N/A	157	5.4 [F]			85.1	0.83	60.0	98.3	285	10AWG / 3-2-1-GC
4MK5123DD		230		16.0		0.500						136																		84.7				0.82	58.0	97.4			
4MK5124DD		460		8.0		2.000						68																		84.7	0.82			58.0	97.4				
4MK5125DD		575		6.3		4.230						56																		5.5 [F]	84.9			0.82	61.0	99.7			
4MK5022FD	5.0 (3.7 Kw)	200	16.0	1.430	83	"F" 7.05" (179 mm)	N/A	N/A	1.430	N/A	83	5.8 [G]	80.3					0.82	42.0											51.6	180			14AWG / 7					
4MK5023FD		230	14.0	1.300	67						5.4 [F]	80.2	0.85					38.0	47.9																				
4MK5024FD		460	6.8	5.200	34						5.5 [F]	80.2	0.85					38.0	47.9																				
4MK5025FD		575	5.8	11.900	30						6.0 [G]	79.8	0.81					42.0	52.4																				
4MK4022GD	4.0 (3.0 Kw)	200	14.8	1.430	83	"G" 6.57" (167 mm)					N/A	N/A	1.430	N/A	83	5.8 [G]	80.3	0.82	42.0							51.6	180			14AWG / 7									
4MK4023GD		230	12.6	1.300	67										5.4 [F]	80.2	0.85	38.0	47.9																				
4MK4024GD		460	6.3	5.200	34										5.5 [F]	80.2	0.85	38.0	47.9																				
4MK4025GD		575	5.4	11.900	30										6.0 [G]	79.8	0.81	42.0	52.4																				
4MK3122HD	3.1 (2.3 Kw)	200	13.2	1.430	83	"H" 6.10" (155 mm)									N/A	N/A	1.430	N/A	83	5.8 [G]	80.3	0.82	42.0			51.6						180	14AWG / 7						
4MK3123HD		230	11.2	1.300	67														5.4 [F]	80.2	0.85	38.0	47.9																
4MK3124HD		460	5.6	5.200	34														5.5 [F]	80.2	0.85	38.0	47.9																
4MK3125HD		575	4.8	11.900	30														6.0 [G]	79.8	0.81	42.0	52.4																

4MV - 1750 RPM MODEL AND MOTOR INFORMATION

Model No.	HP	Volts	Phase/Hz	Rated Current (Amps)	RPM	Impeller Diameter In (mm)	Insulation Class	Run Capacitor (mfd/ volt)	Start Capacitor (mfd/ volt)	Resistance (Ohms)	Aux. Resistance (Ohms)	Start Current (LR Amps)	Rated Motor kVA [Code]	Rated Motor Eff. (%)	Rated Power Factor (cos phi)	Starting Torque (NM)	Max. Torque (NM)	Pump Weight (lbs.)	Cable Size with water detector and thermostats																														
4MV1022AD	10.0 (7.5 Kw)	200	3/60	31.0	1750	"A" 7.95" (202 mm)	H	N/A	N/A	N/A	N/A	157	5.4 [F]	85.1	0.83	60.0	98.3	270	10AWG / 3-2-1-GC																														
4MV1023AD		230		27.0										0.500	136	84.7	0.82			58.0	97.4																												
4MV1024AD		460		14.0										2.000	68	84.7	0.82			58.0	97.4																												
4MV1025AD		575		11.0										4.230	56	5.5 [F]	84.9			0.82	61.0	99.7																											
4MV7522BD	7.5 (5.6 Kw)	200		3/60		23.5						1750	"B" 7.28" (185 mm)	H	N/A	N/A	N/A			N/A	157	5.4 [F]	85.1	0.83	60.0	98.3	270	10AWG / 3-2-1-GC																					
4MV7523BD		230				21.2																	0.500	136	84.7	0.82			58.0	97.4																			
4MV7524BD		460				10.6																	2.000	68	84.7	0.82			58.0	97.4																			
4MV7525BD		575				8.3																	4.230	56	5.5 [F]	84.9			0.82	61.0	99.7																		
4MV6022CD	6.0 (4.5 Kw)	200				3/60							19.0								1750	"C" 6.69" (170 mm)	H	N/A	N/A	N/A			N/A	157	5.4 [F]	85.1	0.83	60.0	98.3	270	10AWG / 3-2-1-GC												
4MV6023CD		230											17.2																			0.500	136	84.7	0.82			58.0	97.4										
4MV6024CD		460											8.6																			2.000	68	84.7	0.82			58.0	97.4										
4MV6025CD		575											6.8																			4.230	56	5.5 [F]	84.9			0.82	61.0	99.7									
4MV5022FD	5.0 (3.7 Kw)	200											3/60									16.0								1750	"F" 6.89" (175 mm)	H	N/A	N/A	N/A			N/A	83	5.8 [G]	80.3	0.82	42.0	51.6	160	14AWG / 7			
4MV5023FD		230																				14.0																			1.300	67	5.4 [F]	80.2			0.85	38.0	47.9
4MV5024FD		460																				6.8																			5.200	34	5.5 [F]	80.2			0.85	38.0	47.9
4MV5025FD		575																				5.8																			11.900	30	6.0 [G]	79.8			0.81	42.0	52.4
4MV4022GD	4.0 (3.0 Kw)	200	3/60		14.8		1750	"G" 6.30" (160 mm)	H	N/A	N/A							N/A	N/A			83									5.8 [G]								80.3	0.82	42.0	51.6	160	14AWG / 7					
4MV4023GD		230			12.6																																		1.300	67	5.4 [F]	80.2					0.85	38.0	47.9
4MV4024GD		460			6.3																																		5.200	34	5.5 [F]	80.2					0.85	38.0	47.9
4MV4025GD		575			5.4																																		11.900	30	6.0 [G]	79.8					0.81	42.0	52.4
4MV3122HD	3.1 (2.3 Kw)	200		3/60	13.2			1750				"H" 5.79" (147 mm)		H	N/A	N/A	N/A			N/A		83					5.8 [G]	80.3			0.82								42.0	51.6	160	14AWG / 7							
4MV3123HD		230			11.2																							1.300			67								5.4 [F]	80.2							0.85	38.0	47.9
4MV3124HD		460			5.6																							5.200			34								5.5 [F]	80.2							0.85	38.0	47.9
4MV3125HD		575			4.8																							11.900			30								6.0 [G]	79.8							0.81	42.0	52.4

4MK-X - 1750 RPM MODEL AND MOTOR INFORMATION

Model No.	HP	Volts	Phase/Hz	Rated Current (Amps)	RPM	Impeller Diameter In (mm)	Insulation Class	Run Capacitor (mfd/ volt)	Start Capacitor (mfd/ volt)	Resistance (Ohms)	Aux. Resistance (Ohms)	Start Current (LR Amps)	Rated Motor kVA [Code]	Rated Motor Eff. (%)	Rated Power Factor (cos phi)	Starting Torque (NM)	Max. Torque (NM)	Pump Weight (lbs.)	Cable Size with water detector and thermostats																				
4MK1022ADX	10 (7.5 Kw)	200	3/60	29.0	1750	"A" 8.50" (216 mm)	H	N/A	N/A	0.451	N/A	161	5.5 [F]	83.5	0.89	58.0	95.0	285	10 AWG / 3-2-1 GC																				
4MK1023ADX		230		25.0								0.405	128	5.1 [F]					83.8																				
4MK1024ADX		460		13.0								1.620	64	5.6 [G]					84.6	0.87	65.0	105.0	14 AWG / 7																
4MK1025ADX		575		10.0								3.370	57	5.6 [G]					84.6	0.87	65.0	105.0	14 AWG / 7																
4MK7522BDX	7.5 (5.6 Kw)	200		3/60		22.0						1750	"B" 7.91" (201 mm)	H	N/A	N/A	0.451		N/A	161	5.5 [F]	83.5	0.89	58.0	95.0	285	10 AWG / 3-2-1 GC												
4MK7523BDX		230				19.6														0.405	128	5.1 [F]					83.8												
4MK7524BDX		460				9.8														1.620	64	5.6 [G]					84.6	0.87	65.0	105.0	14 AWG / 7								
4MK7525BDX		575				7.5														3.370	57	5.6 [G]					84.6	0.87	65.0	105.0	14 AWG / 7								
4MK6022CDX	6 (4.5 Kw)	200				3/60							17.8							1750	"C" 7.24" (184 mm)	H	N/A	N/A	0.451		N/A	161	5.5 [F]	83.5	0.89	58.0	95.0	285	10 AWG / 3-2-1 GC				
4MK6023CDX		230											16.0															0.405	128	5.1 [F]					83.8				
4MK6024CDX		460											8.0															1.620	64	5.6 [G]					84.6	0.87	65.0	105.0	14 AWG / 7
4MK6025CDX		575											6.2															3.370	57	5.6 [G]					84.6	0.87	65.0	105.0	14 AWG / 7
4MK5122DDX	5.1 (3.8 Kw)	200	3/60		16.8		1750	"D" 6.81" (173 mm)	H	N/A	N/A		0.451					N/A			161							5.5 [F]	83.5	0.89	58.0	95.0	285		10 AWG / 3-2-1 GC				
4MK5123DDX		230			14.8																0.405							128	5.1 [F]						83.8				
4MK5124DDX		460			7.4																1.620							64	5.6 [G]						84.6	0.87	65.0	105.0	14 AWG / 7
4MK5125DDX		575			5.7																3.370							57	5.6 [G]						84.6	0.87	65.0	105.0	14 AWG / 7
4MK5022FDX	5 (3.7 Kw)	200		3/60	15.0			1750				"F" 7.05" (179 mm)		H	N/A	N/A	1.240		N/A		67					4.7 [E]		83.4	0.88	24.0	41.0	180			14 AWG / 7				
4MK5023FDX		230			14.0																0.785					83		6.7 [H]	85.2	0.81	36.0					59.0			
4MK5024FDX		460			6.8																3.140					42		5.8 [G]	84.8	0.85	31.0					52.0			
4MK5025FDX		575			5.2																8.600					29		5.8 [G]	84.8	0.85	31.0					52.0			
4MK4022GDX	4 (3.0 Kw)	200			3/60	13.9						1750								"G" 6.57" (167 mm)	H	N/A	N/A	1.240	N/A	67	4.7 [E]	83.4	0.88	24.0	41.0			180		14 AWG / 7			
4MK4023GDX		230				12.6																				0.785	83	6.7 [H]	85.2	0.81	36.0						59.0		
4MK4024GDX		460				6.3																				3.140	42	5.8 [G]	84.8	0.85	31.0						52.0		
4MK4025GDX		575				4.8																				8.600	29	5.8 [G]	84.8	0.85	31.0						52.0		
4MK3122HDX	3.1 (2.3 Kw)	200	3/60			12.4	1750		"H" 6.10" (155 mm)	H	N/A		N/A					1.240		N/A						67	4.7 [E]	83.4	0.88	24.0	41.0		180				14 AWG / 7		
4MK3123HDX		230				11.2																				0.785	83	6.7 [H]	85.2	0.81	36.0							59.0	
4MK3124HDX		460				5.6																				3.140	42	5.8 [G]	84.8	0.85	31.0							52.0	
4MK3125HDX		575				4.3																				8.600	29	5.8 [G]	84.8	0.85	31.0							52.0	

4MV-X - 1750 RPM MODEL AND MOTOR INFORMATION

Model No.	HP	Volts	Phase/Hz	Rated Current (Amps)	RPM	Impeller Diameter In (mm)	Insulation Class	Run Capacitor (mfd/ volt)	Start Capacitor (mfd/ volt)	Resistance (Ohms)	Aux. Resistance (Ohms)	Start Current (LR Amps)	Rated Motor kVA [Code]	Rated Motor Eff. (%)	Rated Power Factor (cos phi)	Starting Torque (NM)	Max. Torque (NM)	Pump Weight (lbs.)	Cable Size with water detector and thermostats			
4MV1022ADX	10 (7.5 Kw)	200	3/60	29.0	1750	"A" 7.95" (202 mm)	H	N/A	N/A	0.451	N/A	161	5.5 [F]	83.5	0.89	58.0	95.0	270	10 AWG / 3-2-1 GC			
4MV1023ADX		230		25.0						0.405		128	5.1 [F]	83.8								
4MV1024ADX		460		13.0						1.620		64	5.6 [G]	84.6					0.87	65.0	105.0	14 AWG / 7
4MV1025ADX		575		10.0						3.370		57		84.6					0.87	65.0	105.0	
4MV7522BDX	7.5 (5.6 Kw)	200		22.0		"B" 7.28" (185 mm)				0.451		161	5.5 [F]	83.5	0.89	58.0	95.0		10 AWG / 3-2-1 GC			
4MV7523BDX		230		19.6						0.405		128	5.1 [F]	83.8								
4MV7524BDX		460		9.8						1.620		64	5.6 [G]	84.6					0.87	65.0	105.0	14 AWG / 7
4MV7525BDX		575		7.5						3.370		57		84.6					0.87	65.0	105.0	
4MV6022CDX	6 (4.5 Kw)	200		17.8		"C" 6.69" (170 mm)				0.451		161	5.5 [F]	83.5	0.89	58.0	95.0		10 AWG / 3-2-1 GC			
4MV6023CDX		230		16.0						0.405		128	5.1 [F]	83.8								
4MV6024CDX		460		8.0						1.620		64	5.6 [G]	84.6					0.87	65.0	105.0	14 AWG / 7
4MV6025CDX		575		6.2						3.370		57		84.6					0.87	65.0	105.0	
4MV5022FDX	5 (3.7 Kw)	200		15.0		"F" 6.89" (175 mm)				1.240		67	4.7 [E]	83.4	0.88	24.0	41.0		160	14 AWG / 7		
4MV5023FDX		230		14.0						0.785		83	6.7 [H]	85.2	0.81	36.0	59.0					
4MV5024FDX		460		6.8						3.140		42		38.0								
4MV5025FDX		575		5.2						8.600		29	5.8 [G]	84.8	0.85	31.0	52.0					
4MV4022GDX	4 (3.0 Kw)	200	13.9	"G" 6.30" (160 mm)	1.240	67	4.7 [E]	83.4	0.88	24.0	41.0											
4MV4023GDX		230	12.6		0.785	83	6.7 [H]	85.2	0.81	36.0	59.0											
4MV4024GDX		460	6.3		3.140	42		38.0														
4MV4025GDX		575	4.8		8.600	29	5.8 [G]	84.8	0.85	31.0	52.0											
4MV3122HDX	3.1 (2.3 Kw)	200	12.4	"H" 5.79" (147 mm)	1.240	67	4.7 [E]	83.4	0.88	24.0	41.0											
4MV3123HDX		230	11.2		0.785	83	6.7 [H]	85.2	0.81	36.0	59.0											
4MV3124HDX		460	5.6		3.140	42		38.0														
4MV3125HDX		575	4.3		8.600	29	5.8 [G]	84.8	0.85	31.0	52.0											

APPLICATION DATA

Maximum Working Pressure	75 PSI (5 bar) - Standard
	150 PSI (10 bar) - Explosion Proof
Maximum Submergence	66 feet (20 m)
Minimum Submergence	Fully submerged for continuous operation
Maximum Environmental Temperature	40°C (104°F) continuous operation

CONSTRUCTION DETAILS

Power / Sensor Cable	See charts on pages 4, 5, 6 and 7
Motor Cover	Gray Cast Iron - ASTM A48 Class 30
Seal / Bearing Housing	Gray Cast Iron - ASTM A48 Class 30
Casing	Gray Cast Iron - ASTM A48 Class 30
Impeller	Cast Iron
Motor Shaft	AISI 400 Series Stainless Steel
Motor Design	Air filled Class H
Motor Overload Protection	Three Phase: require ambient compensated Class 10, quick trip overloads in the control panel.
Motor Seal Fail / High Temp. Detection	Seal fail sensor and high temp. in an oil-filled seal chamber. Connect to optional relays in control panel.
External Hardware	300 Series Stainless steel
Impeller Type	Vortex with pump out vanes on back shroud or non-clog
Oil Capacity - Seal Chamber	33.8 ounces (4.4 to 6.4 HP)
	67.62 ounces (6.5 to 11 HP)

MATERIALS OF CONSTRUCTION

Item No.	Part Name	Material			
		Standard			
1	Impeller	Cast Iron			
2	Motor Cover	Cast Iron			
3	Shaft	400 Series SS			
4	Fasteners	300 Series SS			
5	Ball Bearings	Steel			
6	Cord	SOW, 30 feet			
7	O-Ring	BUNA-N			
8	Service	Rotary	Stationary	Metal Parts	Model
	Inner	Carbon / Ceramic		300 Series SS	Non-XP
	Outer	Tungsten Carbide / Ceramic			
	Inner	Tungsten Carbide / Ceramic		300 Series SS	XP
	Outer	Tungsten Carbide / Ceramic			

MECHANICAL SEAL ELASTOMER MATERIAL

Discharge Size	HP	Material
2"	All	Nitrile
2" XP	All	Viton
3"	Up to and Including 6.4 HP	Nitrile
3"	Over 6.4 HP	Nitrile
3" XP	Up to and Including 6.4 HP	Viton
3" XP	Over 6.4 HP	Nitrile
4"	Up to and including 5 HP	Nitrile
4"	Over 5 HP	Nitrile
4" XP	Up to and including 5 HP	Viton
4" XP	Over 5 HP	Nitrile
6"	All	Nitrile
6" XP	All	Viton



Xylem Inc.
 2881 East Bayard Street Ext., Suite A
 Seneca Falls, NY 13148
 Phone: (866) 325-4210
 Fax: (888) 322-5877
www.bellgossett.com

Bell & Gossett is a trademark of Xylem Inc. or one of its subsidiaries.
 © 2016 Xylem Inc. BBG4MKV R4 March 2016