



3MK/MV **impact**[™]

SUBMERSIBLE 3" SEWAGE PUMP - DUAL SEAL WITH SEAL SENSOR PROBE



Bell & Gossett

a xylem brand

FEATURES

Impeller: Cast iron, vortex and non-clog style, dynamically balanced with pump out vanes for mechanical seal protection.

K model designation for non-clog impeller

V model designation for vortex impeller

Casing: Cast iron 3" ANSI 150# flange self-cleaning design for non-clogging.

Efficient air-filled motor

Stand: Optional stand for mounting without slide rail configuration. Part number: 15K80

Dual Mechanical Seals:

Up to 6.4 HP, 3500 RPM:

For standard and Explosion Proof pumps, Tungsten Carbide vs. Ceramic seal faces standard on outer seals. Carbon vs. Ceramic - standard, Tungsten vs. Ceramic - XP, on inner seals. Nitrile elastomers standard, viton on XP.

Over 6.4 HP, 3500 RPM / All 1750 RPM:

Tungsten Carbide vs. Tungsten Carbide faces standard on outer seals. Tungsten Carbide vs. Carbon standard on inner seals.

Nitrile elastomers

For All Explosion Proof:

Tungsten Carbide vs. Ceramic faces standard on outer and inner seals.

Seal Sensor / High Temperature Probe: Located in motor housing. If pumpage should begin to leak past both seals it indicates to pump control panel a fault has occurred. Requires MiniCAS device in the control panel.

Capable of running dry without damage to components.

Designed for continuous operation, when fully submerged.

Explosion-proof available as option. FM approved.

Shaft: Corrosion resistant, 400 series stainless steel. Taper lock and impeller bolt on all models to guard against component damage on accidental reverse rotation.

Fasteners: 300 series stainless steel.

Grease for life bearings



(optional)

Wastewater

APPLICATIONS

Specifically designed for the following uses:

- Sewage systems
- Dewatering/Effluent
- Water transfer
- Light industrial
- Commercial applications

Anywhere waste or drainage must be disposed of quickly, quietly and efficiently.

SPECIFICATIONS

Pump:

- Maximum soft solid size: 2½"
- Capacities: up to 575 GPM
- Total heads: up to 152' TDH
- Discharge size: 3" ANSI Flange

Motor:

- Maximum ambient temperature: 104° F (40° C) continuous duty
- Rated for continuous duty when fully submerged
- Insulation: Class H
- 60 Hertz
- 1750 RPM available (K impeller only)
- 3500 RPM available

- Single row ball bearings
- 400 Series stainless steel taper lock shaft
- Requires overload protection in panel (not included)
- Includes high temperature sensor for winding protection

AIR-FILLED MOTOR

- Efficient heat dissipation
- Run dry capability
- Class H insulation
- Designed for Continuous Operation: Pump ratings are within the motor manufacturer's recommended working limits and can be operated continuously without damage when fully submerged.
- Bearings: Upper and lower heavy duty ball bearing construction for precision positioning of parts and to carry thrust loads.
- High temperature winding protection
- Cord: Severe duty rated, oil and water resistant. 30 foot standard.
- O-ring: Assures positive sealing against contaminants and oil leakage.
- FM Approved Explosion Proof Version

NOMENCLATURE DESCRIPTION

1st Character - Discharge Size

3 = 3" discharge

2nd and 3rd Characters - Series/Solids Size

MV = Vortex

MK = Non-clog

4th Character - HP

23 = 2.3 HP	44 = 4.4 HP
19 = 1.9 HP	55 = 5.5 HP
16 = 1.7 HP	64 = 6.4 HP
13 = 1.4 HP	65 = 6.5 HP
15 = 1.5 HP	82 = 8.2 HP
09 = 1.1 HP	95 = 9.5 HP
08 = 0.8 HP	11 = 11.0 HP

5th Character - Speed/RPM

1 = 60 Hz/3500 RPM

2 = 60 Hz/1750 RPM

6th Character - Phase/Voltage

2 = three phase, 200 V

3 = three phase, 230 V

4 = three phase, 460 V

5 = three phase, 575 V

7th Character - Impeller Diameter

<u>Non-Clog - 3500</u>	<u>Vortex - 3500</u>	<u>Non-Clog - 1750</u>
A = 6.62"	A = 5.71"	A = 7.01"
B = 6.02"	B = 5.43"	B = 6.65"
C = 5.71"	C = 5.12"	C = 6.50"
D = 5.35"	D = 4.84"	D = 6.26"
F = 5.43"	F = 4.65"	F = 6.18"
G = 5.16"	G = 4.29"	G = 5.59"
H = 4.84"	H = 3.98"	H = 4.84"

8th Character - Cord Length

D = 30' (standard)

J = 100' (optional)

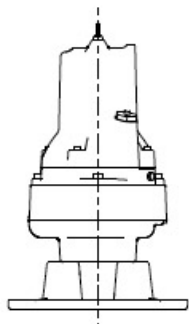
9th Character

X = FM Approved Explosion Proof

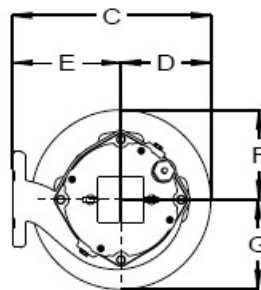
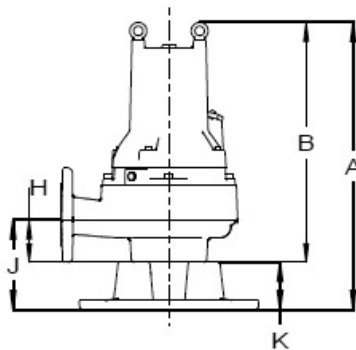
E = Epoxy Coat

XE = FM Approved Explosion Proof and Epoxy Coat

DIMENSIONS



* Shown with support kit (sold separately).



Bell & Gossett Model No.	A	B	C	D	E	F	G	H	J	K
3MK A, B, C, D Impeller	26.38" [670]	22.44" [570]	17.72" [450]	7.48" [190]	10.24" [260]	7.48" [190]	7.48" [190]	3.54" [90]	7.48" [190]	3.94" [100]
3MK F, G, H Impeller	23.94" [608]	20.00" [508]	16.54" [420]	7.48" [190]	9.06" [230]	7.48" [190]	7.48" [190]	3.54" [90]	7.48" [190]	3.94" [100]
3MV A, B, C, D Impeller	27.95" [710]	24.02" [610]	15.75" [400]	7.48" [190]	8.27" [210]	7.48" [190]	7.48" [190]	3.94" [100]	7.87" [200]	3.94" [100]
3MV F, G, H Impeller	24.53" [623]	20.59" [523]	15.35" [390]	7.48" [190]	7.87" [200]	7.48" [190]	7.48" [190]	3.94" [100]	7.87" [200]	3.94" [100]
3MK - X A, B, C, D Impeller	27.99" [711]	24.05" [611]	18.46" [469]	8.23" [209]	10.24" [260]	7.48" [190]	7.48" [190]	3.54" [90]	7.48" [190]	3.94" [100]
3MK - X F, G, H Impeller	26.89" [683]	22.95" [583]	16.54" [420]	7.48" [190]	9.06" [230]	7.48" [190]	7.48" [190]	3.54" [90]	7.48" [190]	3.94" [100]
3MV - X A, B, C, D Impeller	29.61" [752]	25.67" [652]	16.50" [419]	8.23" [209]	8.27" [210]	7.48" [190]	7.48" [190]	3.94" [100]	7.87" [200]	3.94" [100]
3MV - X F, G, H Impeller	27.52" [699]	23.58" [599]	15.35" [390]	7.48" [190]	7.87" [200]	7.48" [190]	7.48" [190]	3.94" [100]	7.87" [200]	3.94" [100]

Stand Optional, Part no. 15K80

3MK - 3500 RPM MODEL AND MOTOR INFORMATION

Model No.	HP	Volts	Phase/Hz	Rated Current (Amps)	RPM	Impeller Diameter In (mm)	Insulation Class	Run Capacitor (mfd/ volt)	Start Capacitor (mfd/ volt)	Resistance (Ohms)	Aux. Resistance (Ohms)	Start Current (LR Amps)	Rated Motor kVA [Code]	Rated Motor Eff. (%)	Rated Power Factor (cos phi)	Starting Torque (NM)	Max. Torque (NM)	Pump Weight (lbs.)	Cable Size with water detector and thermostats
3MK1112AD	11.0 (8.2 Kw)	200	3/60	30.0	3450	"A" 6.26" (159 mm)	H	N/A	N/A	0.327	N/A	250	7.9 [J]	89.1	0.90	45.0	80.0	255	10AWG / 3-2-1-GC
3MK1113AD		230		26.0						0.289		224	8.1 [K]	89.2	0.88	43.0	81.0		
3MK1114AD		460		13.0						1.156		112	8.1 [K]	89.2	0.88	43.0	81.0		
3MK1115AD		575		11.0						2.470		96	8.7 [K]	89.1	0.86	49.0	88.0		
3MK9512BD	9.5 (7.1 Kw)	200		26.5		"B" 6.02" (153 mm)				0.327		250	7.9 [J]	89.1	0.90	45.0	80.0		
3MK9513BD		230		23.0						0.289		224	8.1 [K]	89.2	0.88	43.0	81.0		
3MK9514BD		460		11.5						1.156		112	8.1 [K]	89.2	0.88	43.0	81.0		
3MK9515BD		575		9.7						2.470		96	8.7 [K]	89.1	0.86	49.0	88.0		
3MK8212CD	8.2 (6.1 Kw)	200		23.7		"C" 5.71" (145 mm)				0.327		250	7.9 [J]	89.1	0.90	45.0	80.0		
3MK8213CD		230		20.6						0.289		224	8.1 [K]	89.2	0.88	43.0	81.0		
3MK8214CD		460		10.3						1.156		112	8.1 [K]	89.2	0.88	43.0	81.0		
3MK8215CD		575		8.7						2.470		96	8.7 [K]	89.1	0.86	49.0	88.0		
3MK6512DD	6.5 (4.9 Kw)	200	20.7	"D" 5.35" (136 mm)	0.327	250	7.9 [J]	89.1	0.90	45.0	80.0								
3MK6513DD		230	18.0		0.289	224	8.1 [K]	89.2	0.88	43.0	81.0								
3MK6514DD		460	9.0		1.156	112	8.1 [K]	89.2	0.88	43.0	81.0								
3MK6515DD		575	7.6		2.470	96	8.7 [K]	89.1	0.86	49.0	88.0								
3MK6412FD	6.4 (4.8 Kw)	200	18.0	"F" 5.43" (138 mm)	1.120	127	6.8 [H]	84.8	0.89	27.0	38.0								
3MK6413FD		230	16.0		1.050	110	6.8 [H]	85.3	0.89	23.0	38.0								
3MK6414FD		460	8.0		4.200	54	6.7 [H]	84.9	0.89	25.0	38.0								
3MK6415FD		575	6.3		9.730	43	6.7 [H]	84.5	0.90	26.0	37.0								
3MK5512GD	5.5 (4.1 Kw)	200	15.3	"G" 5.16" (131 mm)	1.120	127	6.8 [H]	84.8	0.89	27.0	38.0								
3MK5513GD		230	13.6		1.050	110	6.8 [H]	85.3	0.89	23.0	38.0								
3MK5514GD		460	6.8		4.200	54	6.7 [H]	84.9	0.89	25.0	38.0								
3MK5515GD		575	5.4		9.730	43	6.7 [H]	84.5	0.90	26.0	37.0								
3MK4412HD	4.4 (3.3 Kw)	200	13.1	"H" 4.84" (123 mm)	1.120	127	6.8 [H]	84.8	0.89	27.0	38.0								
3MK4413HD		230	11.6		1.050	110	6.8 [H]	85.3	0.89	23.0	38.0								
3MK4414HD		460	5.8		4.200	54	6.7 [H]	84.9	0.89	25.0	38.0								
3MK4415HD		575	4.6		9.730	43	6.7 [H]	84.5	0.90	26.0	37.0								

3MK - 1750 RPM MODEL AND MOTOR INFORMATION

Model No.	HP	Volts	Phase/Hz	Rated Current (Amps)	RPM	Impeller Diameter In (mm)	Insulation Class	Run Capacitor (mfd/ volt)	Start Capacitor (mfd/ volt)	Resistance (Ohms)	Aux. Resistance (Ohms)	Start Current (LR Amps)	Rated Motor kVA [Code]	Rated Motor Eff. (%)	Rated Power Factor (cos phi)	Starting Torque (NM)	Max. Torque (NM)	Pump Weight (lbs.)	Cable Size with water detector and thermostats						
3MK2322AD	2.3 (1.8 Kw)	200	3 / 60	16.3	1780	" A " 7.01" (178 mm) 69% BEP	H	N/A	N/A	N/A	N/A	157	5.4 [F]	85.1	0.83	60	98.3	254	10AWG / 3-2-1-GC						
3MK2323AD		230		14.2																0.5	136	84.7	0.82	58	97.4
3MK2324AD		460		7.1																2	68	84.7	0.82	58	97.4
3MK2325AD		575		5.6																4.23	56	5.5 [F]	84.9	0.82	61
3MK1922BD	1.9 (1.4 Kw)	200		15.6		0.505														157	85.1	0.83	60	98.3	
3MK1923BD		230		13.6		0.5														136	5.4 [F]	84.7	0.82	58	97.4
3MK1924BD		460		6.8		2														68	84.7	0.82	58	97.4	
3MK1925BD		575		5.4		4.23														56	5.5 [F]	84.9	0.82	61	99.7
3MK1622CD	1.7 (1.3 Kw)	200		15.2		0.505														157	85.1	0.83	60	98.3	
3MK1623CD		230		13.2		0.5														136	5.4 [F]	84.7	0.82	58	97.4
3MK1624CD		460		6.6		2														68	84.7	0.82	58	97.4	
3MK1625CD		575		5.2		4.23														56	5.5 [F]	84.9	0.82	61	99.7
3MK1322DD	1.4 (1.0 Kw)	200		14.7		0.505														157	85.1	0.83	60	98.3	
3MK1323DD		230		12.8		0.5														136	5.4 [F]	84.7	0.82	58	97.4
3MK1324DD		460		6.4		2														68	84.7	0.82	58	97.4	
3MK1325DD		575		5		4.23														56	5.5 [F]	84.9	0.82	61	99.7
3MK1522FD	1.5 (1.1 Kw)	200	9.6	1.43	83	5.8 [G]	80.3	0.82	42	51.6															
3MK1523FD		230	8.4	1.3	67	5.4 [F]	80.2	0.85	38	47.9															
3MK1524FD		460	4.2	5.2	34	5.5 [F]	80.2	0.85	38	47.9															
3MK1525FD		575	3.6	11.9	30	6.0 [G]	79.8	0.81	42	52.4															
3MK0922GD	1.1 (0.8 Kw)	200	9.1	1.43	83	5.8 [G]	80.3	0.82	42	51.6															
3MK0923GD		230	8	1.3	67	5.4 [F]	80.2	0.85	38	47.9															
3MK0924GD		460	4	5.2	34	5.5 [F]	80.2	0.85	38	47.9															
3MK0925GD		575	3.4	11.9	30	6.0 [G]	79.8	0.81	42	52.4															
3MK0822HD	0.8 (0.6 Kw)	200	8.7	1.43	83	5.8 [G]	80.3	0.82	42	51.6															
3MK0823HD		230	7.6	1.3	67	5.4 [F]	80.2	0.85	38	47.9															
3MK0824HD		460	3.8	5.2	34	5.5 [F]	80.2	0.85	38	47.9															
3MK0825HD		575	3.2	11.9	30	6.0 [G]	79.8	0.81	42	52.4															

3MV - 3500 RPM MODEL AND MOTOR INFORMATION

Model No.	HP	Volts	Phase/Hz	Rated Current (Amps)	RPM	Impeller Diameter In (mm)	Insulation Class	Run Capacitor (mfd/ volt)	Start Capacitor (mfd/ volt)	Resistance (Ohms)	Aux. Resistance (Ohms)	Start Current (LR Amps)	Rated Motor kVA [Code]	Rated Motor Eff. (%)	Rated Power Factor (cos phi)	Starting Torque (N/M)	Max. Torque (NM)	Pump Weight (lbs.)	Cable Size with water detector and thermostats		
3MV1112AD	11.0 (8.2 Kw)	200	3/60	34.0	3450	"A"	H	N/A	N/A	0.327	N/A	250	7.9 [J]	89.1	0.90	45.0	80.0	235	10AWG / 3-2-1-GC		
3MV1113AD		230		30.0		5.71"							0.289	224	8.1 [K]	89.2	0.88			43.0	81.0
3MV1114AD		460		15.0		(145 mm)							1.156	112	8.7 [K]	89.1	0.86			49.0	88.0
3MV1115AD		575		12.0									2.470	96	8.7 [K]	89.1	0.86			49.0	88.0
3MV9512BD	9.5 (7.1 Kw)	200		31.2		"B"							0.327	250	7.9 [J]	89.1	0.90			45.0	80.0
3MV9513BD		230		27.0		5.43"							0.289	224	8.1 [K]	89.2	0.88			43.0	81.0
3MV9514BD		460		13.5		(138 mm)							1.156	112	8.7 [K]	89.1	0.86			49.0	88.0
3MV9515BD		575		11.4									2.470	96	8.7 [K]	89.1	0.86			49.0	88.0
3MV8212CD	8.2 (6.1 Kw)	200		28.2		"C"							0.327	250	7.9 [J]	89.1	0.90			45.0	80.0
3MV8213CD		230		24.4		5.12"							0.289	224	8.1 [K]	89.2	0.88			43.0	81.0
3MV8214CD		460		12.2		(130 mm)							1.156	112	8.7 [K]	89.1	0.86			49.0	88.0
3MV8215CD		575		10.3									2.470	96	8.7 [K]	89.1	0.86			49.0	88.0
3MV6512DD	6.5 (4.9 Kw)	200		24.2		"D"							0.327	250	7.9 [J]	89.1	0.90			45.0	80.0
3MV6513DD		230		21.0		4.84"							0.289	224	8.1 [K]	89.2	0.88			43.0	81.0
3MV6514DD		460		10.5		(123 mm)							1.156	112	8.7 [K]	89.1	0.86			49.0	88.0
3MV6515DD		575		8.9									2.470	96	8.7 [K]	89.1	0.86			49.0	88.0
3MV6412FD	6.4 (4.8 Kw)	200	18.0	"F"	1.120	127	6.8 [H]	84.8	0.89	27.0	38.0										
3MV6413FD		230	16.0	4.65"	1.050	110	6.8 [H]	85.3	0.89	23.0	38.0										
3MV6414FD		460	8.0	(118 mm)	4.200	54	6.7 [H]	84.9	0.89	25.0	38.0										
3MV6415FD		575	6.3		9.730	43	6.7 [H]	84.5	0.90	26.0	37.0										
3MV5512GD	5.5 (4.1 Kw)	200	15.3	"G"	1.120	127	6.8 [H]	84.8	0.89	27.0	38.0										
3MV5513GD		230	13.6	4.29"	1.050	110	6.8 [H]	85.3	0.89	23.0	38.0										
3MV5514GD		460	6.8	(109 mm)	4.200	54	6.7 [H]	84.9	0.89	25.0	38.0										
3MV5515GD		575	5.4		9.730	43	6.7 [H]	84.5	0.90	26.0	37.0										
3MV4412HD	4.4 (3.3 Kw)	200	13.1	"H"	1.120	127	6.8 [H]	84.8	0.89	27.0	38.0										
3MV4413HD		230	11.6	3.98"	1.050	110	6.8 [H]	85.3	0.89	23.0	38.0										
3MV4414HD		460	5.8	(101 mm)	4.200	54	6.7 [H]	84.9	0.89	25.0	38.0										
3MV4415HD		575	4.6		9.730	43	6.7 [H]	84.5	0.90	26.0	37.0										

3MK-X - 3500 RPM MODEL AND MOTOR INFORMATION

Model No.	HP	Volts	Phase/Hz	Rated Current (Amps)	RPM	Impeller Diameter In (mm)	Insulation Class	Run Capacitor (mfd/volt)	Start Capacitor (mfd/volt)	Resistance (Ohms)	Aux. Resistance (Ohms)	Start Current (LR Amps)	Rated Motor kVA [Code]	Rated Motor Eff. (%)	Rated Power Factor (cos phi)	Starting Torque (NM)	Max. Torque (NM)	Pump Weight (lbs.)	Cable Size with water detector and thermostats							
3MK1112ADX	11 (8.2 Kw)	200	3/60	30.00	3450	A 6.26" (159 mm)	H	N/A	N/A	0.295	N/A	258	8.1 [K]	84.2	0.93	38.0	70.0	255	10 AWG / 3-2-1 GC							
3MK1113ADX		230		26.00						0.263		192	7.0 [H]	83.7	0.93	33.0	65.0									
3MK1114ADX		460		13.00						1.052		96	83.7	0.93	33.0	65.0	14 AWG / 7									
3MK1115ADX		575		11.00						2.56		73	6.6 [H]	83.5	0.93	32.0	61.0									
3MK9512BDX	9.5 (7.1 Kw)	200		26.50		0.295				258		8.1 [K]	84.2	0.93	38.0	70.0	7.0 [H]		83.7	0.93	33.0	65.0	255	10 AWG / 3-2-1 GC		
3MK9513BDX		230		23.00		0.263				192		83.7	0.93	33.0	65.0											
3MK9514BDX		460		11.50		1.052				96		83.7	0.93	33.0	65.0	14 AWG / 7										
3MK9515BDX		575		9.70		2.56				73		6.6 [H]	83.5	0.93	32.0	61.0										
3MK8212CDX	8.2 (6.1 Kw)	200		23.70		0.295				258		8.1 [K]	84.2	0.93	38.0	70.0	7.0 [H]		83.7	0.93	33.0	65.0		255	10 AWG / 3-2-1 GC	
3MK8213CDX		230		20.60		0.263				192		83.7	0.93	33.0	65.0											
3MK8214CDX		460		10.30		1.052				96		83.7	0.93	33.0	65.0	14 AWG / 7										
3MK8215CDX		575		8.70		2.56				73		6.6 [H]	83.5	0.93	32.0	61.0										
3MK6512DDX	6.5 (4.9 Kw)	200		20.70		0.295				258		8.1 [K]	84.2	0.93	38.0	70.0	7.0 [H]		83.7	0.93	33.0	65.0			255	10 AWG / 3-2-1 GC
3MK6513DDX		230		18.00		0.263				192		83.7	0.93	33.0	65.0											
3MK6514DDX		460		9.00		1.052				96		83.7	0.93	33.0	65.0	14 AWG / 7										
3MK6515DDX		575		7.60		2.56				73		6.6 [H]	83.5	0.93	32.0	61.0										
3MK6412FDX	6.4 (4.8 Kw)	200	19.00	0.773	133	7.0 [H]	79.1	0.94	24.0	34.0	N/A	N/A	N/A	133	7.0 [H]	79.1	0.94	24.0	34.0	160	14 AWG / 7					
3MK6413FDX		230	17.00	0.719	112	6.8 [H]	78.8	0.94	23.0	33.0																
3MK6414FDX		460	8.30	2.876	56	6.8 [H]	78.8	0.94	23.0	33.0																
3MK6415FDX		575	6.50	5.75	53	8.0 [K]	80.4	0.93	28.0	40.0																
3MK5512GDY	5.5 (4.1 Kw)	200	16.20	0.773	133	7.0 [H]	79.1	0.94	24.0	34.0	N/A	N/A	N/A	133	7.0 [H]	79.1	0.94	24.0	34.0			160	14 AWG / 7			
3MK5513GDY		230	14.50	0.719	112	6.8 [H]	78.8	0.94	23.0	33.0																
3MK5514GDY		460	7.10	2.876	56	6.8 [H]	78.8	0.94	23.0	33.0																
3MK5515GDY		575	5.60	5.75	53	8.0 [K]	80.4	0.93	28.0	40.0																
3MK4412HDX	4.4 (3.3 Kw)	200	13.80	0.773	133	7.0 [H]	79.1	0.94	24.0	34.0	N/A	N/A	N/A	133	7.0 [H]	79.1	0.94	24.0	34.0					160		14 AWG / 7
3MK4413HDX		230	12.30	0.719	112	6.8 [H]	78.8	0.94	23.0	33.0																
3MK4414HDX		460	6.00	2.876	56	6.8 [H]	78.8	0.94	23.0	33.0																
3MK4415HDX		575	4.80	5.75	53	8.0 [K]	80.4	0.93	28.0	40.0																

3MK-X - 1750 RPM MODEL AND MOTOR INFORMATION

Model No.	HP	Volts	Phase/Hz	Rated Current (Amps)	RPM	Impeller Diameter In (mm)	Insulation Class	Run Capacitor (mfd/ volt)	Start Capacitor (mfd/ volt)	Resistance (Ohms)	Aux. Resistance (Ohms)	Start Current (LR Amps)	Rated Motor kVA [Code]	Rated Motor Eff. (%)	Rated Power Factor (cos phi)	Starting Torque (NM)	Max. Torque (NM)	Pump Weight (lbs.)	Cable Size with water detector and thermostats	
3MK2322ADX	2.3 (1.8 Kw)	200	3/60	16.3	1780	" A " 7.01" (178 mm) 69% BEP	H	N/A	N/A	0.451	N/A	161	5.5 [F]	83.5	0.89	58	95	254	SUBCAB AWG - 10 AWG/3-2-1-GC	
3MK2323ADX		230		14.2								0.405	128	5.1 [F]	83.8	0.89	58			95
3MK2324ADX		460		7.1								1.62	64	5.1 [F]	83.8	0.89	58			95
3MK2325ADX		575		5.6								3.37	57	5.6 [G]	84.6	0.87	65			105
3MK1922BDX	1.9 (1.4 Kw)	200		15.6		0.451						161	5.5 [F]	83.5	0.89	58	95		SUBCAB AWG - 10 AWG/3-2-1-GC	
3MK1923BDX		230		13.6		0.405						128	5.1 [F]	83.8	0.89	58	95			
3MK1924BDX		460		6.8		1.62						64	5.1 [F]	83.8	0.89	58	95			
3MK1925BDX		575		5.4		3.37						57	5.6 [G]	84.6	0.87	65	105		SUBCAB AWG - 14 AWG/7	
3MK1622CDX	1.7 (1.3 Kw)	200		15.2		0.451						161	5.5 [F]	83.5	0.89	58	95		SUBCAB AWG - 10 AWG/3-2-1-GC	
3MK1623CDX		230		13.2		0.405						128	5.1 [F]	83.8	0.89	58	95			
3MK1624CDX		460		6.6		1.62						64	5.1 [F]	83.8	0.89	58	95			
3MK1625CDX		575		5.2		3.37						57	5.6 [G]	84.6	0.87	65	105		SUBCAB AWG - 14 AWG/7	
3MK1322DDX	1.4 (1.0 Kw)	200	14.7	0.451	161	5.5 [F]	83.5	0.89	58	95	SUBCAB AWG - 10 AWG/3-2-1-GC									
3MK1323DDX		230	12.8	0.405	128	5.1 [F]	83.8	0.89	58	95										
3MK1324DDX		460	6.4	1.62	64	5.1 [F]	83.8	0.89	58	95										
3MK1325DDX		575	5	3.37	57	5.6 [G]	84.6	0.87	65	105	SUBCAB AWG - 14 AWG/7									
3MK1522FDX	1.5 (1.1 Kw)	200	9.6	1.24	67	4.7 [E]	83.4	0.88	24	41	161	14 AWG/7								
3MK1523FDX		230	8.4	0.785	83	6.7 [H]	85.2	0.81	36	59										
3MK1524FDX		460	4.2	3.14	42	6.7 [H]	85.2	0.81	36	59										
3MK1525FDX		575	3.6	8.6	29	5.8 [G]	84.8	0.85	31	52										
3MK0922GDX	1.1 (0.8 Kw)	200	9.1	1.24	67	4.7 [E]	83.4	0.88	24	41										
3MK0923GDX		230	8	0.785	83	6.7 [H]	85.2	0.81	36	59										
3MK0924GDX		460	4	3.14	42	6.7 [H]	85.2	0.81	36	59										
3MK0925GDX		575	3.4	8.6	29	5.8 [G]	84.8	0.85	31	52										
3MK0822HDX	0.8 (0.6 Kw)	200	8.7	1.24	67	4.7 [E]	83.4	0.88	24	41										
3MK0823HDX		230	7.6	0.785	83	6.7 [H]	85.2	0.81	36	59										
3MK0824HDX		460	3.8	3.14	42	6.7 [H]	85.2	0.81	36	59										
3MK0825HDX		575	3.2	8.6	29	5.8 [G]	84.8	0.85	31	52										

3MV-X - 3500 RPM MODEL AND MOTOR INFORMATION

Model No.	HP	Volts	Phase/Hz	Rated Current (Amps)	RPM	Impeller Diameter In (mm)	Insulation Class	Run Capacitor (mfd/ volt)	Start Capacitor (mfd/ volt)	Resistance (Ohms)	Aux. Resistance (Ohms)	Start Current (LR Amps)	Rated Motor kVA [Code]	Rated Motor Eff. (%)	Rated Power Factor (cos phi)	Starting Torque (NM)	Max. Torque (NM)	Pump Weight (lbs.)	Cable Size with water detector and thermostats		
3MV1112ADX	11 (8.2 Kw)	200	3/60	30.00	3450	A 5.71" (145 mm)	H	N/A	N/A	N/A	N/A	258	8.1 [K]	84.2	0.93	38.0	70.0	235	10 AWG / 3-2-1 GC		
3MV1113ADX		230		26.00								0.263	192	7.0 [H]	83.7	0.93	33.0		65.0		
3MV1114ADX		460		13.00								1.052	96	7.0 [H]	83.7	0.93	33.0		65.0	14 AWG / 7	
3MV1115ADX		575		11.00								2.56	73	6.6 [H]	83.5	0.93	32.0		61.0		
3MV9512BDX	9.5 (7.1 Kw)	200		26.50		0.295						258	8.1 [K]	84.2	0.93	38.0	70.0		235	10 AWG / 3-2-1 GC	
3MV9513BDX		230		23.00		0.263						192	7.0 [H]	83.7	0.93	33.0	65.0				
3MV9514BDX		460		11.50		1.052						96	7.0 [H]	83.7	0.93	33.0	65.0			14 AWG / 7	
3MV9515BDX		575		9.70		2.56						73	6.6 [H]	83.5	0.93	32.0	61.0				
3MV8212CDX	8.2 (6.1 Kw)	200		23.70		0.295						258	8.1 [K]	84.2	0.93	38.0	70.0			235	10 AWG / 3-2-1 GC
3MV8213CDX		230		20.60		0.263						192	7.0 [H]	83.7	0.93	33.0	65.0				
3MV8214CDX		460		10.30		1.052						96	7.0 [H]	83.7	0.93	33.0	65.0				14 AWG / 7
3MV8215CDX		575		8.70		2.56						73	6.6 [H]	83.5	0.93	32.0	61.0				
3MV6512DDX	6.5 (4.9 Kw)	200	20.70	0.295	258	8.1 [K]	84.2	0.93	38.0	70.0	235	10 AWG / 3-2-1 GC									
3MV6513DDX		230	18.00	0.263	192	7.0 [H]	83.7	0.93	33.0	65.0											
3MV6514DDX		460	9.00	1.052	96	7.0 [H]	83.7	0.93	33.0	65.0		14 AWG / 7									
3MV6515DDX		575	7.60	2.56	73	6.6 [H]	83.5	0.93	32.0	61.0											
3MV6412FDX	6.4 (4.8 Kw)	200	19.00	0.773	133	7.0 [H]	79.1	0.94	24.0	34.0		150	14 AWG / 7								
3MV6413FDX		230	17.00	0.719	112	6.8 [H]	78.8	0.94	23.0	33.0											
3MV6414FDX		460	8.30	2.876	56	6.8 [H]	78.8	0.94	23.0	33.0											
3MV6415FDX		575	6.50	5.75	53	8.0 [K]	80.4	0.93	28.0	40.0											
3MV5512GDY	5.5 (4.1 Kw)	200	16.20	0.773	133	7.0 [H]	79.1	0.94	24.0	34.0				150	14 AWG / 7						
3MV5513GDY		230	14.50	0.719	112	6.8 [H]	78.8	0.94	23.0	33.0											
3MV5514GDY		460	7.10	2.876	56	6.8 [H]	78.8	0.94	23.0	33.0											
3MV5515GDY		575	5.60	5.75	53	8.0 [K]	80.4	0.93	28.0	40.0											
3MV4412HDX	4.4 (3.3 Kw)	200	13.80	0.773	133	7.0 [H]	79.1	0.94	24.0	34.0	150					14 AWG / 7					
3MV4413HDX		230	12.30	0.719	112	6.8 [H]	78.8	0.94	23.0	33.0											
3MV4414HDX		460	6.00	2.876	56	6.8 [H]	78.8	0.94	23.0	33.0											
3MV4415HDX		575	4.80	5.75	53	8.0 [K]	80.4	0.93	28.0	40.0											

Wastewater

APPLICATION DATA

Maximum Working Pressure	75 PSI (5 bar) - Standard
	150 PSI (10 bar) - Explosion Proof
Maximum Submergence	66 feet (20 m)
Minimum Submergence	Fully submerged for continuous operation
Maximum Environmental Temperature	40°C (104°F) continuous operation

CONSTRUCTION DETAILS

Power / Sensor Cable	See charts on pages 4, 5, 6 and 7
Motor Cover	Gray Cast Iron - ASTM A48 Class 30
Seal / Bearing Housing	Gray Cast Iron - ASTM A48 Class 30
Casing	Gray Cast Iron - ASTM A48 Class 30
Impeller	Non-Clog 304SS and Vortex Cast Iron
Motor Shaft	AISI 400 Series Stainless Steel
Motor Design	Air filled Class H
Motor Overload Protection	Three Phase: require ambient compensated Class 10, quick trip overloads in the control panel.
Motor Seal Fail / High Temp. Detection	Seal fail sensor and high temp. in motor chamber. Connect to optional relays in control panel.
External Hardware	300 Series Stainless steel
Impeller Type	Non-clog Vortex with pump out vanes on back shroud
Oil Capacity - Seal Chamber	33.8 ounces (4.4 to 6.4 HP)
	67.62 ounces (6.5 to 11 HP)

MATERIALS OF CONSTRUCTION

Item No.	Part Name	Material Standard			
		Service	Rotary	Stationary	Model
1	Impeller	Cast Iron			
2	Motor Cover	Cast Iron			
3	Shaft	400 SS			
4	Fasteners	304 SS			
5	Ball Bearings	Steel			
6	Power Cable	SOW, 30 feet			
7	O-Ring	BUNA-N			
8	Upper	Carbon / Ceramic	300 Series SS	Non-XP	
	Outer	Tungsten Carbide / Ceramic			
	Upper	Tungsten Carbide / Ceramic	300 Series SS	XP	
	Outer	Tungsten Carbide / Ceramic			

MECHANICAL SEAL ELASTOMER MATERIAL

Discharge Size	HP	Material
2"	All	Nitrile
2" XP	All	Viton
3"	Up to and Including 6.4 HP	Nitrile
3"	Over 6.4 HP	Nitrile
3" XP	Up to and Including 6.4 HP	Viton
3" XP	Over 6.4 HP	Nitrile
4"	Up to and including 5 HP	Nitrile
4"	Over 5 HP	Nitrile
4" XP	Up to and including 5 HP	Viton
4" XP	Over 5 HP	Nitrile
6"	All	Nitrile
6" XP	All	Viton

Xylem |'zīləm|

- 1) The tissue in plants that brings water upward from the roots;
- 2) a leading global water technology company.

We're a global team unified in a common purpose: creating innovative solutions to meet our world's water needs. Developing new technologies that will improve the way water is used, conserved, and re-used in the future is central to our work. We move, treat, analyze, and return water to the environment, and we help people use water efficiently, in their homes, buildings, factories and farms. In more than 150 countries, we have strong, long-standing relationships with customers who know us for our powerful combination of leading product brands and applications expertise, backed by a legacy of innovation.

For more information on how Xylem can help you, go to www.xylem.com



Xylem Inc.
2881 East Bayard Street Ext., Suite A
Seneca Falls, NY 13148
Phone: (866) 325-4210
Fax: (888) 322-5877
www.bellgossett.com

Bell & Gossett is a trademark of Xylem Inc. or one of its subsidiaries.
© 2015 Xylem Inc. BBG3MKV R3 August 2015