



FEATURES

Impeller: Cast iron, semi-open, non-clog, dynamically balanced with pump out vanes for mechanical seal protection.

Casing: Cast iron flanged volute type for maximum efficiency. Designed for easy installation on A10-20 slide rail or base elbow rail systems.

Mechanical Seal: SILICON CARBIDE VS. SILICON CARBIDE sealing faces for superior abrasive resistance, stainless steel metal parts, BUNA-N elastomers.

Shaft: Corrosion-resistant, 300 series stainless steel. Threaded design. Locknut on all models to guard against component damage on accidental reverse rotation.

Fasteners: 300 series stainless steel.

Capable of running dry without damage to components.

Designed for continuous operation when fully submerged.

EXTENDED WARRANTY AVAILABLE FOR RESIDENTIAL APPLICATIONS.

2WF

SUBMERSIBLE SEWAGE PUMP



Bell & Gossett

a xylem brand

APPLICATIONS

Specifically designed for the following uses:

- Homes
- Sewage systems
- Dewatering/Effluent
- Water transfer
- Light industrial
- Commercial applications

Anywhere waste or drainage must be disposed of quickly, quietly and efficiently.

SPECIFICATIONS

Pump

- Solids handling capabilities: 2" maximum
- Capacities: up to 185 GPM
- Total heads: up to 38 feet TDH
- Discharge size: 2" NPT threaded companion flange as standard. 3" option available but must be ordered separately. (Order no. A1-3)
- Temperature: 104°F (40°C) continuous
140°F (60°C) intermittent.

MOTORS

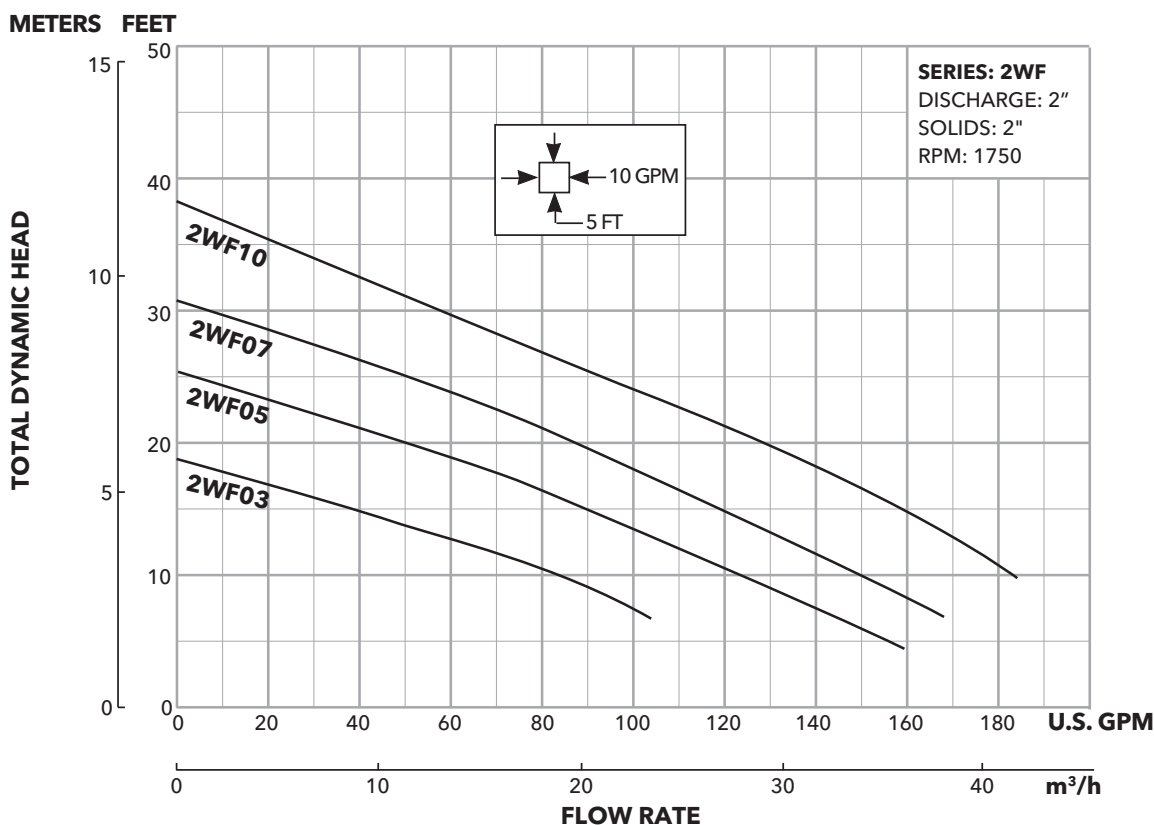
- Fully submerged in high grade turbine oil for lubrication and efficient heat transfer. All ratings are within the working limits of the motor.
- Class B insulation

Single phase (60 Hz):

- Capacitor start motors for maximum starting torque.
- Built-in overload with automatic reset.
- SJTOW or STOW severe duty oil and water resistant power cords.
- 1/3 - 1 HP models have NEMA three prong grounding plugs.

Three phase (60 Hz):

- Class 10 overload protection must be provided in separately ordered starter unit.
- STOW power cords all have bare lead cord ends.
- **Bearings:** Upper and lower heavy duty ball bearing construction.
- **Designed for Continuous Operation:** Pump ratings are within the motor manufacturer's recommended working limits, can be operated continuously without damage when fully submerged.
- **Power Cable:** Severe duty rated, oil and water resistant. Epoxy seal on motor end provides secondary moisture barrier in case of outer jacket damage and to prevent oil wicking. Standard cord is 20'. Optional lengths are available.
- **Motor Cover O-ring:** Assures positive sealing against contaminants and oil leakage.

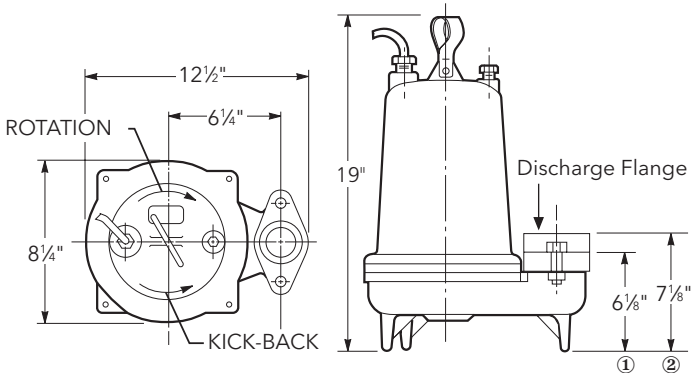


MOTOR AND MODEL INFORMATION

Order Number	HP	Phase	Volts	RPM	Impeller Dia. (In.)	Max. Amps	LRA	KVA Code	Full Load Motor Eff.	Resistance		Wt. (Lbs.)
										Start	Line-Line	
2WF0311	0.33	1	115	1750	4.69	10.7	30.0	M	54	11.9	1.7	63
2WF0318	0.33	1	208			6.8	19.5	K	51	9.1	4.2	
2WF0312	0.33	1	230			4.9	14.1	L	53	14.5	8.0	
2WF0511	0.5	1	115		5.00	14.5	31.1	J	55	9.3	1.4	65
2WF0518	0.5	1	208			8.0	19.5	K	51	9.1	4.2	
2WF0512	0.5	1	230			7.3	16.5	J	54	11.7	5.6	
2WF0538	0.5	3	200			3.8	12.3	K	75	-	6.7	
2WF0532	0.5	3	230			3.3	9.7	K	75	-	9.9	
2WF0534	0.5	3	460			1.7	4.9	K	75	-	39.4	
2WF0537	0.5	3	575		1.4	4.3	K	68	-	47.8		
2WF0718	0.75	1	208		5.38	11.0	39.0	K	65	2.6	1.4	85
2WF0712	0.75	1	230			9.4	24.8	J	57	4.8	2.3	
2WF0738	0.75	3	200			4.1	21.2	H	74	-	4.3	
2WF0732	0.75	3	230			3.6	17.3	J	76	-	5.6	
2WF0734	0.75	3	460			1.8	8.9	J	76	-	22.4	
2WF0737	0.75	3	575			1.5	7.3	J	71	-	29.2	
2WF1018	1	1	208		5.75	14.0	39.0	K	65	2.6	1.4	85
2WF1012	1	1	230			12.3	30.5	H	60	4.3	1.8	
2WF1038	1	3	200			6.0	21.2	H	74	-	4.3	
2WF1032	1	3	230			5.8	17.3	J	76	-	5.6	
2WF1034	1	3	460	2.9		8.9	J	76	-	22.4		
2WF1037	1	3	575	2.4		7.3	J	71	-	29.2		

DIMENSIONS

(All dimensions are in inches. Do not use for construction purposes.)



Discharge Flange:

- ① 2" NPT standard
- ② 3" NPT optional (order an A1-3)

PERFORMANCE RATINGS (gallons per minute)

Order No.	2WF03	2WF05	2WF07	2WF10
HP ▶	1/3	1/2	3/4	1
RPM ▶	1750	1750	1750	1750
Total Head Feet of Water	10 ▶	80	122	145
	15	36	90	116
	20	-	50	86
	25	-	-	48
	30	-	-	-
	35	-	-	-

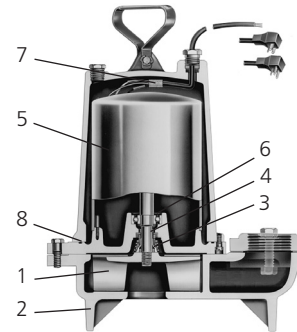
COMPONENTS

Item No.	Description
1	Impeller
2	Casing
3	Mechanical Seal
4	Motor Shaft
5	Motor
6	Ball Bearings
7	Power Cable
8	Casing O-Ring

AGENCY LISTINGS



Tested to UL 778 and CSA 22.2 108 Standards
 By Canadian Standards Association
 File #LR218526



xylem
 Let's Solve Water

Xylem, Inc.
 2881 East Bayard Street Ext., Suite A
 Seneca Falls, NY 13148
 Phone: (866) 325-4210
 Fax: (888) 322-5877
www.xylem.com/brands/bellgossett

Bell & Gossett is a trademark of Xylem Inc. or one of its subsidiaries.
 © 2012 Xylem Inc. B2WF R3 February 2012