



2DWC

SUBMERSIBLE 2" NON-CLOG SEWAGE PUMP



Bell & Gossett

a xylem brand

Wastewater

FEATURES

Impeller: Cast iron, enclosed, non-clog, dynamically balanced with pump out vanes for mechanical seal protection. Optional silicon bronze impeller available.

Casing: Cast iron flanged volute type for maximum efficiency. Designed for easy installation on A10-20 guide rail.

Dual Mechanical Seals:

- Lower Seal: SILICON CARBIDE VS. SILICON CARBIDE sealing faces for superior abrasive resistance, stainless steel metal parts, BUNA-N elastomers.
- Upper Seal: CARBON VS. CERAMIC sealing faces, stainless steel metal parts, BUNA-N elastomers.

Seal Sensor Probe: Located in oil-filled chamber. If pumpage should begin to leak past lower seal it indicates to pump control panel a fault has occurred. Requires optional Seal Fail Circuit in the control panel.

Shaft: Corrosion resistant, 400 series stainless steel. Threaded design. Locknut on all models to guard against component damage on accidental reverse rotation.

Fasteners: 300 series stainless steel.

Capable of running dry without damage to components.

Designed for continuous operation, when fully submerged.

APPLICATIONS

Specifically designed for the following uses:

- Sewage systems
- Dewatering/Effluent
- Water transfer
- Light industrial
- Commercial applications

Anywhere waste or drainage must be disposed of quickly, quietly and efficiently.

SPECIFICATIONS**Pump**

- Solids handling capabilities: 2" maximum.
- Capacities: up to 170 GPM.
- Total heads: up to 54' TDH.
- Discharge size: 2" NPT threaded companion flange as standard. 3" option available but must be ordered separately. (Order no. A1-3).
- Temperature: 104° F (40° C) continuous, 140° F (60° C) intermittent.

MOTORS

Oil-Filled: Fully submerged in high grade turbine oil for lubrication and efficient heat transfer. All ratings are within the working limits of the motor.

Class F insulation

Single phase (60 Hz):

- All single phase models feature capacitor start motors for maximum starting torque.
- Built-in overload with automatic reset.
- 1/8 and 1/2 HP - 16/3 SJTOW with 115 V or 230 V molded NEMA three prong grounding plug.
- 3/4 and 1 HP - 14/3 STOW with bare leads.

Three phase (60 Hz):

- Overload protection must be provided in starter unit.
- 1/2-1 HP - 14/4 STOW with bare leads.
- **Designed for Continuous Operation:** Pump ratings are within the motor manufacturer's recommended working limits, can be operated continuously without damage when fully submerged.
- **Bearings:** Upper and lower heavy duty ball bearing construction.
- **Power and Control Cable:** Severe duty rated, oil and water resistant. Epoxy seal on motor end provides secondary moisture barrier in case of outer jacket damage and to prevent oil wicking. 20 foot standard with optional lengths available.
- **Motor Cover and Seal Housing O-ring:** Assures positive sealing against contaminant and oil leakage.

AGENCY LISTINGS

Tested to UL 778 and CSA 22.2 108 Standards
By Canadian Standards Association
File #LR218526

MODEL AND MOTOR INFORMATION

Order No.	HP	Phase	Volts	RPM	Impeller		Maximum Amps	L.R. Amps	KVA Code	F.L. Motor Efficiency %	Resistance		Wt. (lbs.)
					Dia. (in.)	Code					Start	Line-Line	
2DWC1A1F1H1A	0.33	1	115	3500	2.94	K	12.4	46.0	M	54	7.5	1.0	90
2DWC1A2F1H1A			208				6.8	31.0	K	68	9.7	2.4	
2DWC1A3F1H1A			230				6.2	34.5	M	53	9.6	4.0	
2DWC1C1F1G1A	0.5	1	115	3500	3.19	G	14.5	46.0	M	54	7.5	1.0	94
2DWC1C2F1G1A			208				8.4	31.0	K	68	9.7	2.4	
2DWC1C3F1G1A			230				7.6	34.5	M	53	9.6	4.0	
2DWC3C2F1G1A		3	200				4.9	22.6	R	68	NA	3.8	
2DWC3C3F1G1A			230				3.6	18.8	R	70	NA	5.8	
2DWC3C4F1G1A			460				1.8	9.4	R	70	NA	23.2	
2DWC3C5F1G1A			575				1.5	7.5	R	62	NA	35.3	
2DWC1D2F1F1A	0.75	1	208	3500	3.44	H	11.0	31.0	K	68	9.7	2.4	98
2DWC1D3F1F1A			230				10.0	27.5	J	65	12.2	2.7	
2DWC3D2F1F1A		3	200				6.2	20.6	L	64	NA	5.7	
2DWC3D3F1F1A			230				5.4	15.7	K	68	NA	8.6	
2DWC3D4F1F1A			460				2.7	7.9	K	68	NA	34.2	
2DWC3D5F1F1A			575				2.2	9.9	L	78	NA	26.5	
2DWC1E2F1E1A	1	1	208	3500	3.75	A	14.5	59.0	K	68	9.3	1.1	104
2DWC1E3F1E1A			230				13.0	36.2	J	69	10.3	2.1	
2DWC3E2F1E1A		3	200				8.6	37.6	M	77	NA	2.7	
2DWC3E3F1E1A			230				7.5	24.1	L	79	NA	4.1	
2DWC3E4F1E1A			460				3.8	12.1	L	79	NA	16.2	
2DWC3E5F1E1A			575				3.1	9.9	L	78	NA	26.5	

NOMENCLATURE DESCRIPTION

1st - 4th Character

2 = 2" Discharge with a Bolt-on 2" N.P.T. Threaded Flange (For 3" discharge order an A1-3, 3" discharge flange)

D = Dual Seal with Seal Fail (moisture) Sensors

W = Wastewater (Sewage)

C = Enclosed Impeller

5th Character - Phase

1 = Single Phase

3 = Three Phase

4 = Three Phase with Pilot Duty, Thermal Sensors

6th Character - Horsepower

A = .33 C = .5 D = .75 E = 1.0

7th Character - Voltage

1 = 115 3 = 230 5 = 575

2 = 200/3Ø or 208/1Ø 4 = 460

8th Character - Discharge Style

F = Bolt-on Flange with N.P.T. Threads

9th Character - Motor RPM / Hertz

1 = 3500/60 3 = 1150/60 6 = 1450/50

2 = 1750/60 5 = 2900/50 7 = 950/50

10th Character - Impeller Code

E = 3.75" 1 HP G = 3.19" .5 HP

F = 3.44" .75 HP H = 2.94" .33 HP

11th Character - Lower (outer) Mechanical Seal

1 = Standard - Silicon carbide/silicon carbide, BUNA and 304 SS metal parts.

2 = Optional - Silicon carbide/tungsten carbide, BUNA and 304 SS metal parts.

12th Cord Length

A = 20' (standard) D = 30' F = 50' J = 100'

13th Options

1 = Silicon bronze impeller

2 = Epoxy coating

3 = Both 1 & 2

APPLICATION DATA

Maximum Solid Size	2"
Minimum Casing Thickness	5/16"
Casing Corrosion Allowance	1/8"
Maximum Working Pressure	22 PSI
Maximum Submergence	50 feet
Minimum Submergence	Fully submerged for continuous operation
	6" below top of motor for intermittent operation
Maximum Environmental Temperature	40°C (104°F) continuous operation
	60°C (140°F) intermittent operation

CONSTRUCTION DETAILS

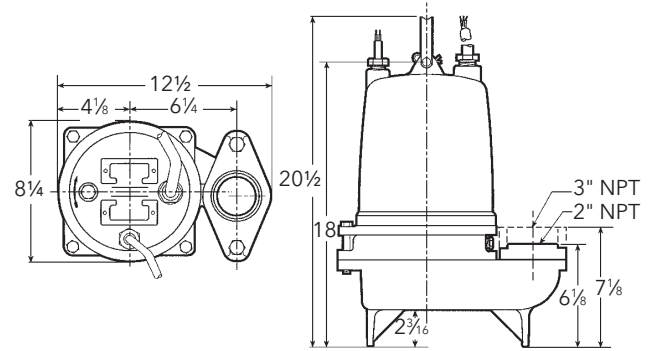
Power Cable - Type	16/3, type SJTOW: single phase, 1/2 HP
	14/3, type STOW: single phase, 3/4 & 1 HP
	14/4, type STOW: all three phase
Sensor Cable - Type	16/2, type SJTOW: seal sensor only
	18/4, type SJTOW: optional seal/heat sensor
Motor Cover	Gray Cast Iron - ASTM A48 Class 30
Bearing Housing	Gray Cast Iron - ASTM A48 Class 30
Seal Housing	Gray Cast Iron - ASTM A48 Class 30
Casing	Gray Cast Iron - ASTM A48 Class 30
Impeller	Gray Cast Iron - ASTM A48 or Cast Bronze - ASTM B584 C87600
Motor Shaft	AISI 400 Series Stainless Steel
Motor Design	NEMA 48 Frame, oil filled with Class F Insulation
Motor Overload Protection	Single Phase: on winding thermal overload protection
	Three Phase: require ambient compensated Class 10, quick trip overloads in the control panel.
Motor Seal Fail (Moisture) Detection	Seal fail sensor in an oil-filled seal chamber. Connect to an optional relay in control panel.
Optional Motor Thermal Protection	Normally closed on-winding thermostats open at 275° F (135° C) and close at 112° F (78° C). Require terminal connection in the control panel.
External Hardware	300 Series Stainless Steel
Impeller Type	Enclosed with pump out vanes on back shroud - 3500 RPM
Oil Capacity - Seal Chamber	10 ounces
Oil Capacity - Motor Chamber	4.0 quarts

STANDARD PARTS

Ball Bearing	Upper	Single row ball - SKF™ 6203-2Z
	Lower	Single row ball - SKF™ 6203-2Z
Mechanical Seals - Standard	Upper	Carbon/Ceramic; Type 16
	Lower	Silicon Carbon/Silicon Carbon; Type 16
Mechanical Seals - Optional Lower		Tungsten Carbide/Tungsten Carbide: Type 16
O-Ring - Stuffing Box		BUNA-N, AS 568A-163
O-Ring - Motor Cover		BUNA-N, AS 568A-166

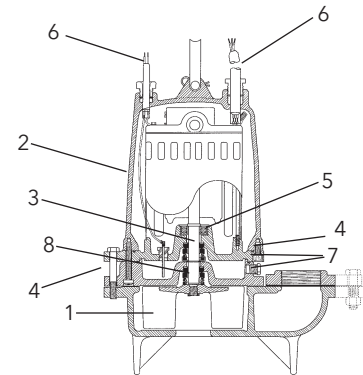
DIMENSIONS

(All dimensions are in inches. Do not use for construction purposes.)



MATERIALS OF CONSTRUCTION

Item No.	Part Name	Material				
		Standard	Optional			
1	Impeller	1003	1179			
2	Motor cover	1003				
3	Shaft	400 Series SS				
4	Fasteners	300 Series SS				
5	Ball bearings	Steel				
6	Power cable	STOW, 20 feet	Additional lengths			
	Seal sensor cable					
7	O-ring	BUNA-N				
8	Outer Mech. Seal	Service	Rotary	Stationary	Elastomers	Metal Parts
	OPT	Heavy duty	Silicon Carbide	Tungsten Carbide	BUNA-N	300 Series SS
	STD	Mild abrasives	Silicon Carbide		BUNA-N	300 Series SS
Material Code		Engineering Standard				
1003		Cast iron – ASTM A48 Class 30				
1179		Silicon bronze – ASTM C87600				



xylem
Let's Solve Water

Xylem Inc.
2881 East Bayard Street Ext., Suite A
Seneca Falls, NY 13148
Phone: (866) 325-4210
Fax: (888) 322-5877
www.bellgossett.com

Bell & Gossett is a trademark of Xylem Inc. or one of its subsidiaries.
© 2016 Xylem Inc. B2DWC R5 April 2016