



1EP04 & 1EP05 Series

SUBMERSIBLE EFFLUENT PUMPS



Bell & Gossett

a xylem brand

FEATURES

1EP04 Impeller: Thermoplastic semi-open design with pump out vanes for mechanical seal protection.

1EP05 Impeller: Thermoplastic enclosed design for improved performance.

Casing and Base: Rugged thermoplastic design provides superior strength and corrosion resistance.

Motor Housing: Cast iron for efficient heat transfer, strength, and durability.

Motor Cover: Thermoplastic cover with integral handle and float switch attachment points.

Power Cable: Severe duty rated oil and water resistant.

Bearings: Upper and lower heavy duty ball bearing construction.

APPLICATIONS

Specifically designed for the following uses:

- Effluent systems
- Homes
- Farms
- Heavy duty sump
- Water transfer
- Dewatering

SPECIFICATIONS

- Solids handling capability: ¾" maximum.
- Capacities: up to 60 GPM.
- Total heads: up to 31 feet.
- Discharge size: 1½" NPT.
- Mechanical seal: carbon-rotary/ceramic-stationary, BUNA-N elastomers.

TYPICAL SPECIFICATIONS

The contractor shall furnish and install quantity _____, Model 1EP _____ submersible effluent pump(s) as illustrated on the plans and in accordance with the following specifications.

The submersible effluent pump(s) shall be single-phase, 115 or 230V. The power cord shall be 16/3 SJTW with a NEMA three prong grounding plug. The 4/10 and ½ HP motors shall be shaded pole designs.

The oil-filled, motor shall have Class B insulation, automatic reset on-winding overload protection, a carbon steel shaft, upper and lower heavy duty ball bearings and be protected from water intrusion by a carbon/ceramic/BUNA/SS mechanical shaft seal. Maximum fluid temperature is 104° F (40° C) for continuous operation when pump is fully submerged.

Automatic models will be equipped with a piggyback wide angle float switch. Manual models are also available.

Pump(s) shall be designed to pass ¾" maximum spheres and are suitable for basement draining, water transfer, dewatering and effluent transfer.

Materials of Construction are ASTM A48, Class 30 grey cast iron and glass-filled engineered thermoplastics.

The 4/10 HP impeller is a semi-open design and the ½ HP impeller is an enclosed design.

AGENCY LISTINGS



**Tested to UL 778 and CSA 22.2 108 Standards
By Canadian Standards Association
File #218526**

- Temperature:
104° F (40° C) continuous
140° F (60° C) intermittent.
- Class B Insulation
- Fasteners: 300 series stainless steel.
- Capable of running dry without damage to components.

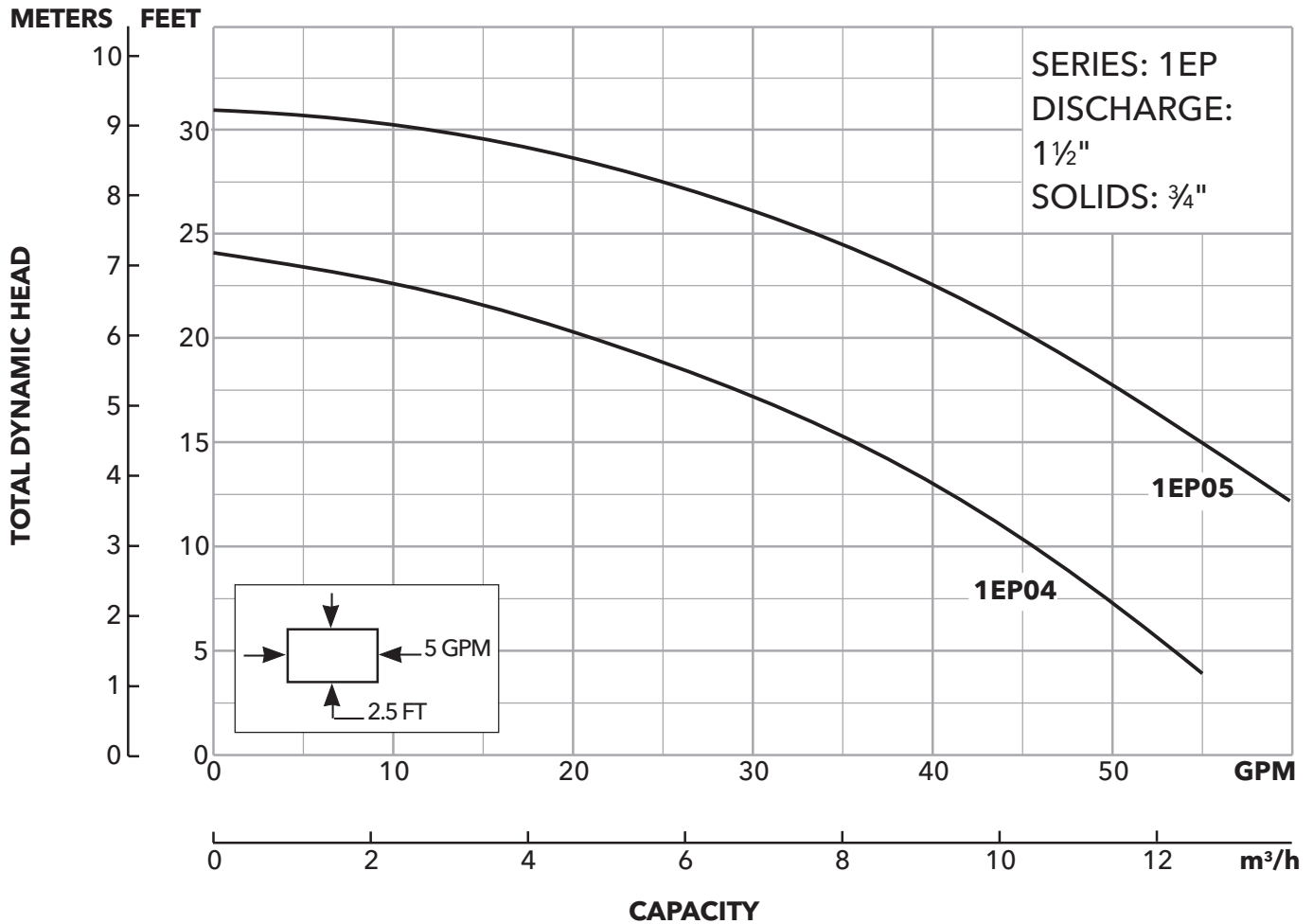
Motor:

- 1EP04 Single phase: 0.4 HP, 115 or 230 V, 60 Hz, 1550 RPM, built in overload with automatic reset.
- 1EP05 Single phase: 0.5 HP, 115 V or 230V, 60 Hz, 1550 RPM, built in overload with automatic reset.
- Power cord: 10 foot standard length, 16/3 SJTW with three prong grounding plug. Optional 20 foot length, 16/3 SJTW with three prong grounding plug (standard on 1EP05).
- Fully submerged in high grade turbine oil for lubrication and efficient heat transfer.

Available for automatic and manual operation. Automatic models include Mechanical Float Switch assembled and preset at the factory.

PERFORMANCE RATINGS

Total Head (ft. of water)	Gallons Per Minute	
	1EP04	1EP05
5	53	-
10	46	62
15	36	55
20	21	46
25	0	33
30	-	11

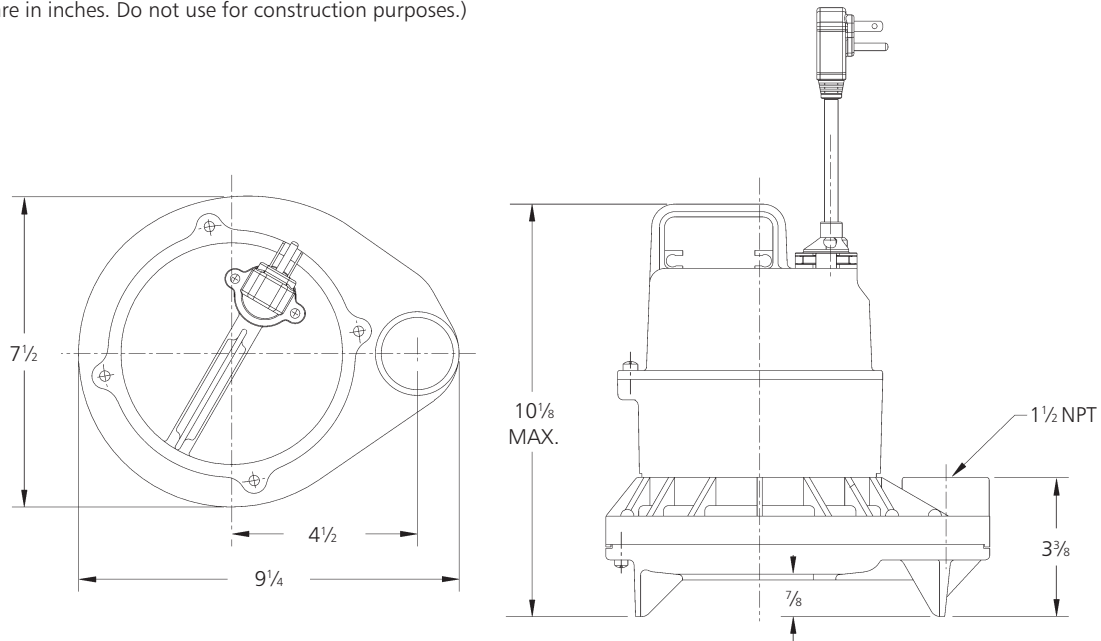


MODEL INFORMATION

Order No.	HP	Volts	Amps	Minimum Circuit Breaker	Phase	Float Switch Style	Cord Length	Discharge Connection	Minimum On Level	Minimum Off Level	Minimum Basin Diameter	Maximum Solids Size	Shipping Weight lbs/kg
1EP0411	.4	115	12	20	1	Plug / No Switch	10'	1½"	Manual	Manual	15"	¾"	20 / 9.1
1EP0411A						Piggyback / Wide-Angle	10'	1½"	12"	6"	15"		21 / 9.5
1EP0411F						Plug / No Switch	20'	1½"	Manual	Manual	15"		20 / 9.1
1EP0411AF						Piggyback / Wide-Angle	20'	1½"	12"	6"	15"		21 / 9.5
1EP0412	230	6	10	Plug / No Switch		10'	1½"	Manual	Manual	15"	20 / 9.1		
1EP0412F				Plug / No Switch		20'	1½"	Manual	Manual	15"	20 / 9.1		
1EP0511F	.5	115	13	20		Plug / No Switch	20'	1½"	Manual	Manual	15"		22 / 10
1EP0511AF						Piggyback / Wide-Angle	20'	1½"	12"	6"	15"		23 / 10.4
1EP0512F					Plug / No Switch	20'	1½"	Manual	Manual	15"	22 / 10		

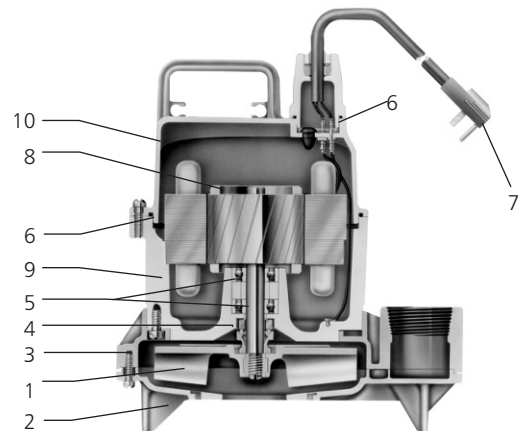
DIMENSIONS

(All dimensions are in inches. Do not use for construction purposes.)



COMPONENTS

Item No.	Description
1	Impeller
2	Base
3	Pump casing
4	Mechanical seal
5	Ball bearings
6	O-rings
7	Power cord
8	Oil filled motor
9	Motor housing/stator assembly
10	Motor cover



xylem
Let's Solve Water

Xylem, Inc.
2881 East Bayard Street Ext., Suite A
Seneca Falls, NY 13148
Phone: (866) 325-4210
Fax: (888) 322-5877
www.bellgossett.com

Bell & Gossett is a trademark of Xylem Inc. or one of its subsidiaries.
© 2012 Xylem Inc. B1EP R6 April 2013