



1EC

SUBMERSIBLE EFFLUENT PUMP



Bell & Gossett

a xylem brand

Wastewater

FEATURES

- Corrosion resistant construction
- Cast iron body
- Thermoplastic impeller and cover
- Upper sleeve and lower heavy duty ball bearing construction
- Motor is permanently lubricated for extended service life
- Powered for continuous operation
- All ratings are within the working limits of the motor
- Quick disconnect power cord, 20' standard length, heavy duty 16/3 SJTW with 115 or 230 volt grounding plug
- Complete unit is heavy duty, portable and compact
- Mechanical seal is carbon, ceramic, BUNA and stainless steel
- Stainless steel fasteners

APPLICATIONS

Specially designed for the following uses:

- Mound Systems
- Effluent/Dosing Systems
- Low Pressure Pipe Systems
- Basement Draining
- Heavy Duty Sump/Dewatering

SPECIFICATIONS

Pump - General:

- Discharge: 1½" NPT
- Temperature: 104°F (40°C) maximum, continuous when fully submerged
- Solids handling: ½" maximum sphere
- Automatic models include a float switch
- Manual models available
- Pumping range: see performance chart or curve

1EC04 Pump:

- Maximum capacity: 61 GPM
- Maximum head: 29' TDH

1EC05 Pump:

- Maximum capacity: 70 GPM
- Maximum head: 37' TDH

MOTOR

General:

- Single phase, 60 Hz, 115 and 230 volts
- Built-in thermal overload protection with automatic reset.
- Class B insulation
- Oil-filled design
- High strength carbon steel shaft

1EC04 Motor:

- .40 HP, 3400 RPM
- 115 and 230 volts
- PSC design

1EC05 Motor:

- .50 HP, 3400 RPM
- 115 and 230 volts
- PSC design

AGENCY LISTINGS



Tested to UL 778 and CSA 22.2 108 Standards
By Canadian Standards Association
File #218526

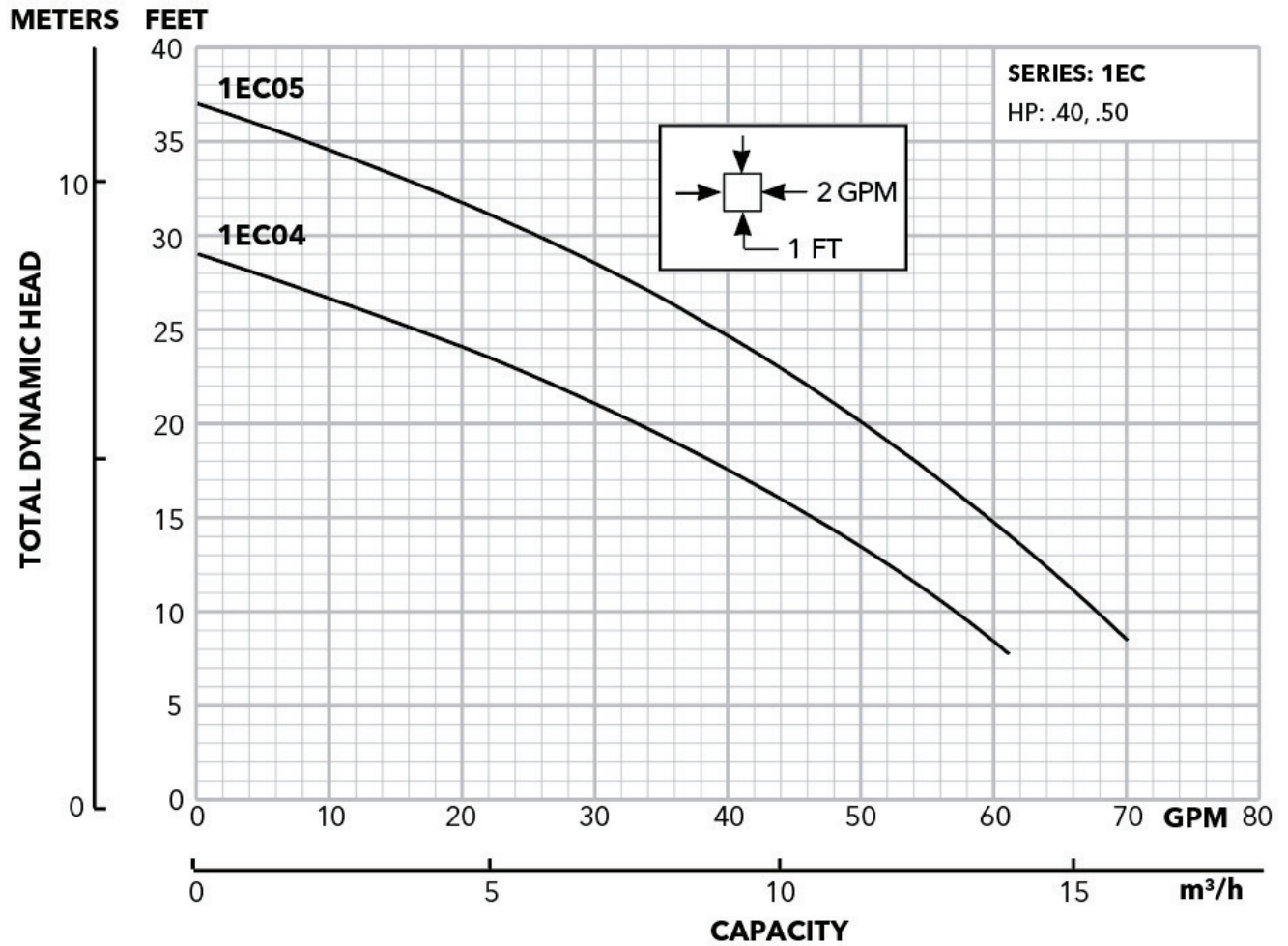
PERFORMANCE RATINGS

1EC04

Total Head (feet of water)	GPM
8	61
10	57
15	46
20	33
25	16

1EC05

Total Head (feet of water)	GPM
10	67
15	59
20	50
25	39
30	26
35	8

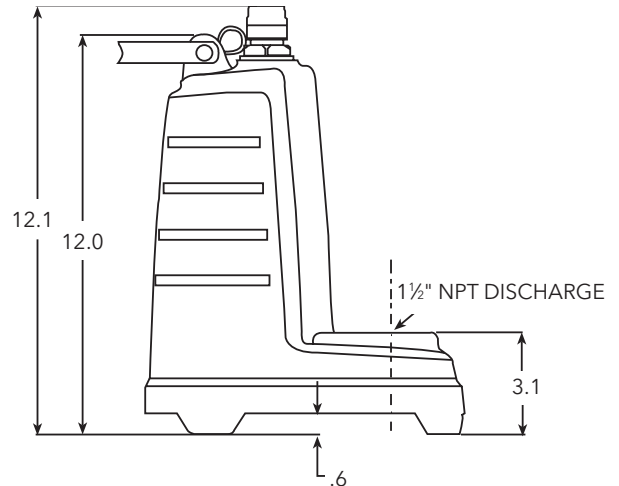
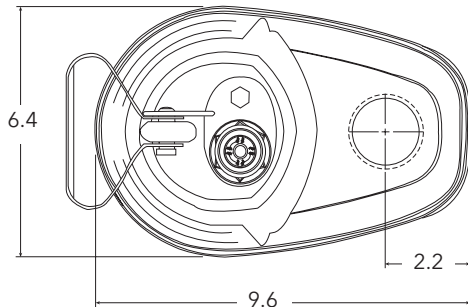


PUMP INFORMATION

Order No.	HP	Volts	Amps	Minimum Circuit Breaker	Phase	Float Switch Style	Cord Length	Discharge Connection	Minimum Basin Diameter	Maximum Solids Size	Shipping Weight lbs/kg
1EC0411	0.4	115	7.5	15	1	Manual / No Switch	20'	1.5"	18"	.5"	31/14.1
1EC0411P1						Piggyback Float Switch					
1EC0412		230	3.7	10		Manual / No Switch					
1EC0412P1						Piggyback Float Switch					
1EC0511	0.5	115	9.5	20		Manual / No Switch					
1EC0511P1						Piggyback Float Switch					
1EC0512		230	4.7	10		Manual / No Switch					
1EC0512P1						Piggyback Float Switch					

DIMENSIONS

(All dimensions are in inches. Do not use for construction purposes.)



TYPICAL SPECIFICATIONS

The contractor shall furnish and install quantity _____, Model 1EC _____ submersible effluent pump(s) as illustrated on the plans and in accordance with the following specifications.

The submersible effluent pump(s) shall be single-phase, 115 or 230V. The power cord shall be 16/3 SJTW with a NEMA three prong grounding plug. The 4/10 and 1/2 HP motors shall be PSC designs.

The oil-filled, motor shall have Class B insulation, automatic reset on-winding overload protection, a carbon steel shaft, upper sleeve and lower ball bearings and be protected from water intrusion by a carbon/ceramic/BUNA/SS mechanical shaft seal. Maximum fluid temperature is 104° F (40° C) for continuous operation when pump is fully submerged.

Automatic models will be equipped with a piggyback wide angle float switch. Manual models are also available.

Pump(s) shall be designed to pass 1/2" maximum spheres and are suitable for basement draining, water transfer, dewatering and effluent transfer.

Materials of Construction are ASTM A48, Class 30 grey cast iron and glass-filled engineered thermoplastics.



Xylem Inc.
2881 East Bayard Street Ext., Suite A
Seneca Falls, NY 13148
Phone: (866) 325-4210
Fax: (888) 322-5877
www.xylem.com/bellgossett

Bell & Gossett is a trademark of Xylem Inc. or one of its subsidiaries.
© 2021 Xylem Inc. B1EC R7 May 2021