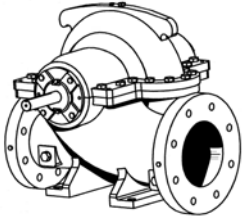


JOB:	REPRESENTATIVE:	
UNIT TAG:	ORDER NO.:	DATE:
ENGINEER:	SUBMITTED BY:	DATE:
CONTRACTOR:	APPROVED BY:	DATE:



4x6x10A

Series HSC³

Base Mounted - Double Suction Centrifugal Pumps

SPECIFICATIONS

FLOW _____ HEAD _____

HP _____ RPM _____

VOLTS _____

CYCLE _____ PHASE _____

ENCLOSURE _____

APPROX. WEIGHT _____

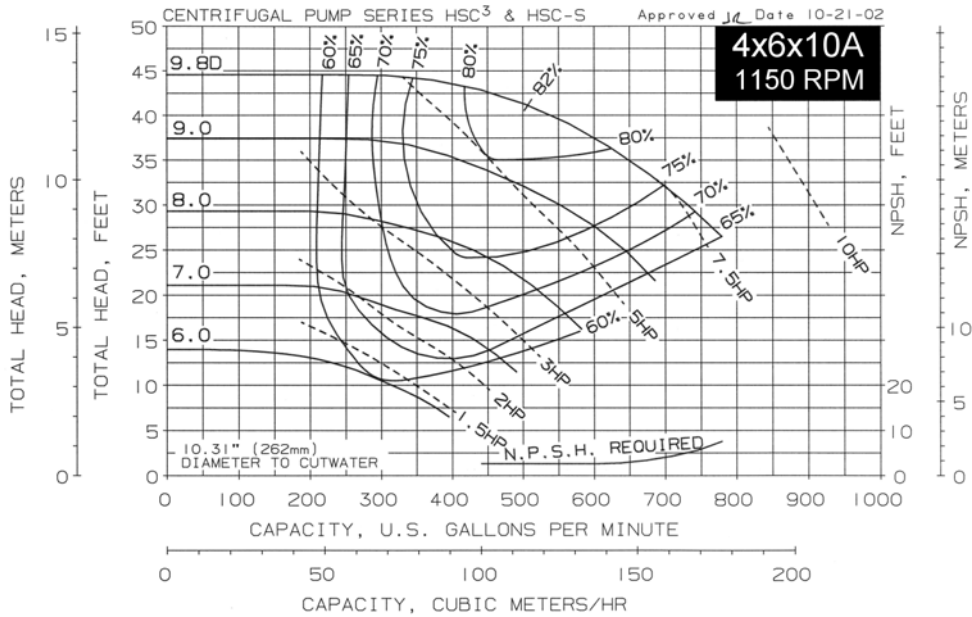
SPECIALS _____

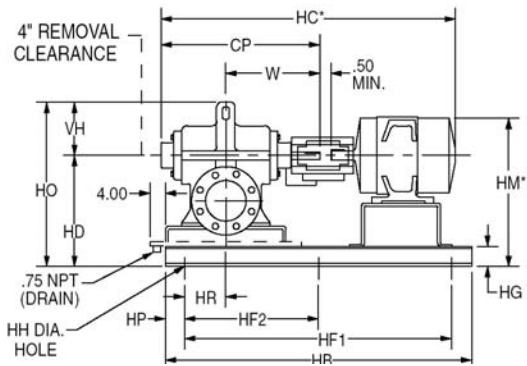
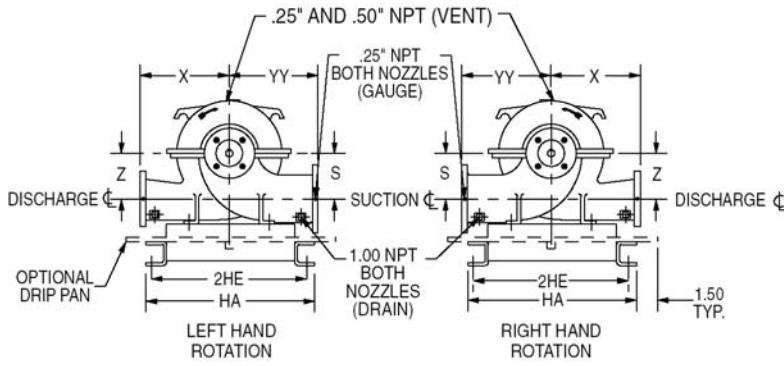
MATERIALS OF CONSTRUCTION

- Cast Iron Bronze Fitted
- Internally Self Flushing Mech. Seals
- Fabricated Heavy Duty Baseplate
- ANSI/OSHA Coupling Guard
- Flexible Coupling
- Spacer Coupling (Optional)
- Galvanized Drip Pan (Optional)

TYPE OF SEAL

- STANDARD SEAL CONSTRUCTION, 175 PSIG (12 BAR) WORKING PRESSURE, 125# ANSI FLANGE CONFIGURATION
- STANDARD:** Crane Type 21, BUNA/Carbon Ceramic, 100 psig (6.8 Bar) maximum suction pressure, from -20° to 225°F (-29 °C to 107 °C).
 - OPTIONAL:** Crane Type 21, EPR/Carbon Ceramic, 100 psig (6.8 Bar) maximum suction pressure, from -20° to 250°F (-29 °C to 121 °C).
 - OPTIONAL:** Crane Type 21, EPR/Carbon Tungsten Carbide, 100 psig (6.8 Bar) maximum suction pressure, from -20° to 250°F (-29 °C to 121 °C).





FLANGE DIMENSIONS IN INCHES	
Discharge	Suction
4	6

DIMENSIONS - Inches (mm)

MOTOR FRAME	HA	HB	2HE	HF ₁	HF ₂	HG	HH	HP	HR	CP	HC*	HD	HM*	HO	S & Z	VH	W	X	YY
182	21.50 (546)	48.00 (1219)	19.50 (495)	36.00 (914)	18.00 (457)	4.00 (102)	1.00 (25)	6.00 (152)	2.88 (73)	19.93 (506)	45 (1143)	18.25 (464)	23.55 (598)	25.94 (659)	7.00 (178)	7.69 (195)	12.19 (310)	11.50 (292)	12.00 (305)
184	21.50 (546)	48.00 (1219)	19.50 (495)	36.00 (914)	18.00 (457)	4.00 (102)	1.00 (25)	6.00 (152)	2.88 (73)	19.93 (506)	46 (1168)	18.25 (464)	23.55 (598)	25.94 (659)	7.00 (178)	7.69 (195)	12.19 (310)	11.50 (292)	12.00 (305)
213	21.50 (546)	48.00 (1219)	19.50 (495)	36.00 (914)	18.00 (457)	4.00 (102)	1.00 (25)	6.00 (152)	2.88 (73)	19.93 (506)	49 (1245)	18.25 (464)	24.25 (616)	25.94 (659)	7.00 (178)	7.69 (195)	12.19 (310)	11.50 (292)	12.00 (305)
215	21.50 (546)	48.00 (1219)	19.50 (495)	36.00 (914)	18.00 (457)	4.00 (102)	1.00 (25)	6.00 (152)	2.88 (73)	19.93 (506)	50 (1270)	18.25 (464)	24.25 (616)	25.94 (659)	7.00 (178)	7.69 (195)	12.19 (310)	11.50 (292)	12.00 (305)
254	21.50 (546)	54.00 (1372)	19.50 (495)	42.00 (1067)	21.00 (533)	4.00 (102)	1.00 (25)	6.00 (152)	2.88 (73)	19.93 (506)	54 (1372)	18.25 (464)	25.35 (644)	25.94 (659)	7.00 (178)	7.69 (195)	12.19 (310)	11.50 (292)	12.00 (305)
256	21.50 (546)	54.00 (1372)	19.50 (495)	42.00 (1067)	21.00 (533)	4.00 (102)	1.00 (25)	6.00 (152)	2.88 (73)	19.93 (506)	56 (1422)	18.25 (464)	25.35 (644)	25.94 (659)	7.00 (178)	7.69 (195)	12.19 (310)	11.50 (292)	12.00 (305)
284	21.50 (546)	54.00 (1372)	19.50 (495)	42.00 (1067)	21.00 (533)	4.00 (102)	1.00 (25)	6.00 (152)	2.88 (73)	19.93 (506)	56 (1422)	18.25 (464)	26.05 (662)	25.94 (659)	7.00 (178)	7.69 (195)	12.19 (310)	11.50 (292)	12.00 (305)
286	21.50 (546)	54.00 (1372)	19.50 (495)	42.00 (1067)	21.00 (533)	4.00 (102)	1.00 (25)	6.00 (152)	2.88 (73)	19.93 (506)	57 (1448)	18.25 (464)	26.05 (662)	25.94 (659)	7.00 (178)	7.69 (195)	12.19 (310)	11.50 (292)	12.00 (305)
324	21.50 (546)	54.00 (1372)	19.50 (495)	42.00 (1067)	21.00 (533)	4.00 (102)	1.00 (25)	6.00 (152)	2.88 (73)	19.93 (506)	59 (1499)	18.25 (464)	26.85 (682)	25.94 (659)	7.00 (178)	7.69 (195)	12.19 (310)	11.50 (292)	12.00 (305)

Dimensions are subject to change. Not to be used for construction purposes unless certified.

*Motor dimensions are approximate for "T" frames, vary by manufacturer and motor type.

Xylem Inc.
8200 N. Austin Avenue
Morton Grove, IL 60053
Phone: (847)966-3700
Fax: (847)965-8379
www.xylem.com/brands/bellgossett

