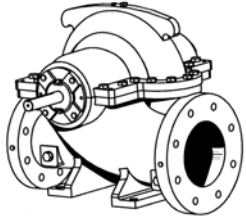


JOB:	REPRESENTATIVE:	
UNIT TAG:	ORDER NO.	DATE:
ENGINEER:	SUBMITTED BY:	DATE:
CONTRACTOR:	APPROVED BY:	DATE:



10x12x17

Series HSC³

Base Mounted - Double Suction Centrifugal Pumps

SPECIFICATIONS

FLOW _____ HEAD _____

HP _____ RPM _____

VOLTS _____

CYCLE _____ PHASE _____

ENCLOSURE _____

APPROX. WEIGHT _____

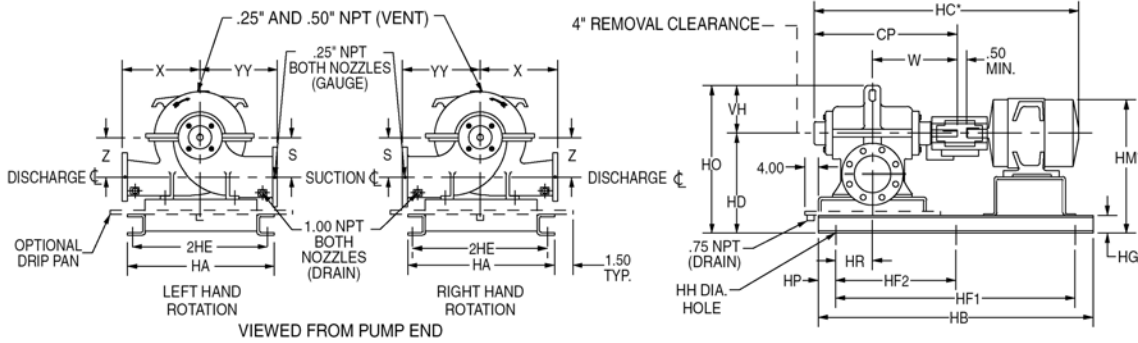
SPECIALS _____

MATERIALS OF CONSTRUCTION

- Cast Iron Bronze Fitted
- Internally Self Flushing Mech. Seals
- Fabricated Heavy Duty Baseplate
- ANSI/OSHA Coupling Guard
- Flexible Coupling
- Spacer Coupling (Optional)
- Galvanized Drip Pan (Optional)

TYPE OF SEAL

- STANDARD SEAL CONSTRUCTION, 175 PSIG (12 BAR)
WORKING PRESSURE, 125# ANSI FLANGE CONFIGURATION
- STANDARD:** Crane Type 21, BUNA/Carbon Ceramic, 100 psig (6.8 Bar) maximum suction pressure, from -20° to 225°F (-29 °C to 107 °C).
 - OPTIONAL:** Crane Type 21, EPR/Carbon Ceramic, 100 psig (6.8 Bar) maximum suction pressure, from -20° to 250°F (-29 °C to 121 °C).
 - OPTIONAL:** Crane Type 21, EPR/Carbon Tungsten Carbide, 100 psig (6.8 Bar) maximum suction pressure, from -20° to 250°F (-29 °C to 121 °C).



FLANGE DIMENSIONS IN INCHES	
Discharge	Suction
10	12

HQ: HOLES PER SIDE

DIMENSIONS - Inches (mm)

MOTOR FRAME	HA	HB	2HE	HF ₁	HF ₂	HG	HH	HP	HR	CP	HC*	HD	HM*	HO	HQ	S & Z	VH	W	X	YY
324	24 (610)	66 (1676)	22 (559)	54 (1372)	27 (686)	4 (102)	1 (25)	6 (152)	7 (178)	28.94 (735)	58 (1473)	25.25 (641)	30 (762)	37.25 (946)	3	11 (279)	13.44 (341)	17.56 (446)	18 (457)	20 (508)
326	24 (610)	66 (1676)	22 (559)	54 (1372)	27 (686)	4 (102)	1 (25)	6 (152)	7 (178)	28.94 (735)	59 (1499)	25.25 (641)	30 (762)	37.25 (946)	3	11 (279)	13.44 (341)	17.56 (446)	18 (457)	20 (508)
364	24 (610)	66 (1676)	22 (559)	54 (1372)	27 (686)	4 (102)	1 (25)	6 (152)	7 (178)	28.94 (735)	61 (1549)	25.25 (641)	31 (787)	37.25 (946)	3	11 (279)	13.44 (341)	17.56 (446)	18 (457)	20 (508)
365	24 (610)	66 (1676)	22 (559)	54 (1372)	27 (686)	4 (102)	1 (25)	6 (152)	7 (178)	28.94 (735)	62 (1575)	25.25 (641)	31 (787)	37.25 (946)	3	11 (279)	13.44 (341)	17.56 (446)	18 (457)	20 (508)
404	29.4 (747)	76 (1930)	27.5 (699)	66 (1676)	16.5 (419)	6 (152)	0.88 (22)	5 (127)	8 (203)	28.94 (735)	66 (1676)	27.25 (692)	34 (864)	39.25 (997)	5	11 (279)	13.44 (341)	17.56 (446)	18 (457)	20 (508)
405	29.4 (747)	76 (1930)	27.5 (699)	66 (1676)	16.5 (419)	6 (152)	0.88 (22)	5 (127)	8 (203)	28.94 (735)	67 (1702)	27.25 (692)	34 (864)	39.25 (997)	5	11 (279)	13.44 (341)	17.56 (446)	18 (457)	20 (508)
444	29.4 (747)	76 (1930)	27.5 (699)	66 (1676)	16.5 (419)	6 (152)	0.88 (22)	5 (127)	8 (203)	28.94 (735)	72 (1829)	27.25 (692)	36 (914)	39.25 (997)	5	11 (279)	13.44 (341)	17.56 (446)	18 (457)	20 (508)
445	29.4 (747)	76 (1930)	27.5 (699)	66 (1676)	16.5 (419)	6 (152)	0.88 (22)	5 (127)	8 (203)	28.94 (735)	74 (1880)	27.25 (692)	36 (914)	39.25 (997)	5	11 (279)	13.44 (341)	17.56 (446)	18 (457)	20 (508)
447	29.4 (747)	86 (2184)	27.5 (699)	76 (1930)	19 (483)	6 (152)	0.88 (22)	5 (127)	8 (203)	28.94 (735)	77 (1956)	27.25 (692)	36 (914)	39.25 (997)	5	11 (279)	13.44 (341)	17.56 (446)	18 (457)	20 (508)
449	29.4 (747)	86 (2184)	27.5 (699)	76 (1930)	19 (483)	6 (152)	0.88 (22)	5 (127)	8 (203)	28.94 (735)	82 (2083)	27.25 (692)	36 (914)	39.25 (997)	5	11 (279)	13.44 (341)	17.56 (446)	18 (457)	20 (508)

Dimensions are subject to change. Not to be used for construction purposes unless certified.

Xylem Inc.
 8200 N. Austin Avenue
 Morton Grove, IL 60053
 Phone: (847)966-3700
 Fax: (847)965-8379
 www.xylem.com/brands/bellgossett

