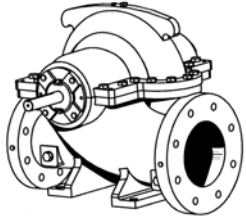


JOB: UNIT TAG: ENGINEER: CONTRACTOR:	REPRESENTATIVE: ORDER NO. SUBMITTED BY: APPROVED BY:	DATE: DATE: DATE:
---	---	--



8x8x12

Series HSC³

Base Mounted - Double Suction Centrifugal Pumps

SPECIFICATIONS

FLOW _____ HEAD _____

HP _____ RPM _____

VOLTS _____

CYCLE _____ PHASE _____

ENCLOSURE _____

APPROX. WEIGHT _____

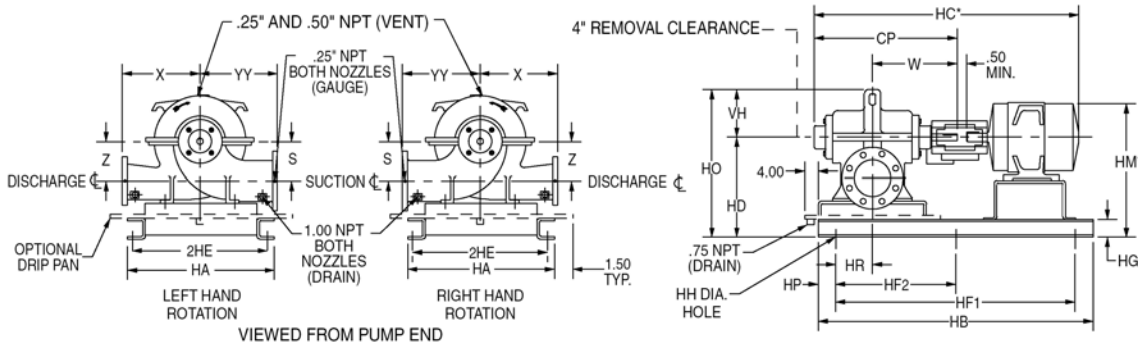
SPECIALS _____

MATERIALS OF CONSTRUCTION

- Cast Iron Bronze Fitted
- Internally Self Flushing Mech. Seals
- Fabricated Heavy Duty Baseplate
- ANSI/OSHA Coupling Guard
- Flexible Coupling
- Spacer Coupling (Optional)
- Galvanized Drip Pan (Optional)

TYPE OF SEAL

- STANDARD SEAL CONSTRUCTION, 175 PSIG (12 BAR)
WORKING PRESSURE, 125# ANSI FLANGE CONFIGURATION
- STANDARD:** Crane Type 21, BUNA/Carbon Ceramic, 100 psig (6.8 Bar) maximum suction pressure, from -20° to 225°F (-29 °C to 107 °C).
 - OPTIONAL:** Crane Type 21, EPR/Carbon Ceramic, 100 psig (6.8 Bar) maximum suction pressure, from -20° to 250°F (-29 °C to 121 °C).
 - OPTIONAL:** Crane Type 21, EPR/Carbon Tungsten Carbide, 100 psig (6.8 Bar) maximum suction pressure, from -20° to 250°F (-29 °C to 121 °C).



FLANGE DIMENSIONS IN INCHES	
Discharge	Suction
8	8

DIMENSIONS - Inches (mm)

MOTOR FRAME	HA	HB	2HE	HF ₁	HF ₂	HG	HH	HP	HR	CP	HC*	HD	HM*	HO	S & Z	VH	W	X	YY
254	24 (610)	62 (1575)	22 (559)	50 (1270)	25 (635)	4 (102)	1 (25)	6 (152)	5.62 (143)	26.19 (665)	50 (1270)	20 (508)	27 (686)	30.25 (768)	8 (203)	10.25 (260)	16.06 (408)	14 (356)	16.5 (419)
256	24 (610)	62 (1575)	22 (559)	50 (1270)	25 (635)	4 (102)	1 (25)	6 (152)	5.62 (143)	26.19 (665)	51 (1295)	20 (508)	27 (686)	30.25 (768)	8 (203)	10.25 (260)	16.06 (408)	14 (356)	16.5 (419)
284	24 (610)	62 (1575)	22 (559)	50 (1270)	25 (635)	4 (102)	1 (25)	6 (152)	5.62 (143)	26.19 (665)	52 (1321)	20 (508)	28 (711)	30.25 (768)	8 (203)	10.25 (260)	16.06 (408)	14 (356)	16.5 (419)
286	24 (610)	62 (1575)	22 (559)	50 (1270)	25 (635)	4 (102)	1 (25)	6 (152)	5.62 (143)	26.19 (665)	53 (1346)	20 (508)	28 (711)	30.25 (768)	8 (203)	10.25 (260)	16.06 (408)	14 (356)	16.5 (419)
324	24 (610)	62 (1575)	22 (559)	50 (1270)	25 (635)	4 (102)	1 (25)	6 (152)	5.62 (143)	26.19 (665)	55 (1397)	20 (508)	29 (737)	30.25 (768)	8 (203)	10.25 (260)	16.06 (408)	14 (356)	16.5 (419)
326	24 (610)	62 (1575)	22 (559)	50 (1270)	25 (635)	4 (102)	1 (25)	6 (152)	5.62 (143)	26.19 (665)	56 (1422)	20 (508)	29 (737)	30.25 (768)	8 (203)	10.25 (260)	16.06 (408)	14 (356)	16.5 (419)
364	24 (610)	68 (1727)	22 (559)	56 (1422)	28 (711)	4 (102)	1 (25)	6 (152)	5.62 (143)	26.19 (665)	57 (1448)	20 (508)	30 (762)	30.25 (768)	8 (203)	10.25 (260)	16.06 (408)	14 (356)	16.5 (419)
365	24 (610)	68 (1727)	22 (559)	56 (1422)	28 (711)	4 (102)	1 (25)	6 (152)	5.62 (143)	26.19 (665)	58 (1473)	20 (508)	30 (762)	30.25 (768)	8 (203)	10.25 (260)	16.06 (408)	14 (356)	16.5 (419)
404	24 (610)	68 (1727)	22 (559)	56 (1422)	28 (711)	4 (102)	1 (25)	6 (152)	5.62 (143)	26.19 (665)	63 (1600)	20 (508)	31 (787)	30.25 (768)	8 (203)	10.25 (260)	16.06 (408)	14 (356)	16.5 (419)
405	24 (610)	68 (1727)	22 (559)	56 (1422)	28 (711)	4 (102)	1 (25)	6 (152)	5.62 (143)	26.19 (665)	65 (1651)	20 (508)	31 (787)	30.25 (768)	8 (203)	10.25 (260)	16.06 (408)	14 (356)	16.5 (419)

Dimensions are subject to change. Not to be used for construction purposes unless certified.

Xylem Inc.
 8200 N. Austin Avenue
 Morton Grove, IL 60053
 Phone: (847)966-3700
 Fax: (847)965-8379
 www.xyleminc.com/brands/bellgossett



Bell & Gossett is a trademark of Xylem Inc. or one of its subsidiaries.
 © 2012 Xylem Inc.