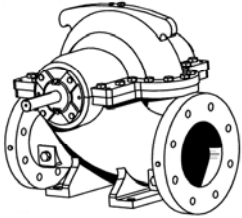


JOB: UNIT TAG: ENGINEER: CONTRACTOR:	REPRESENTATIVE: ORDER NO. SUBMITTED BY: APPROVED BY:	DATE: DATE: DATE:
---	---	--



2x3x11L

Series HSC³

Base Mounted - Double Suction Centrifugal Pumps

SPECIFICATIONS

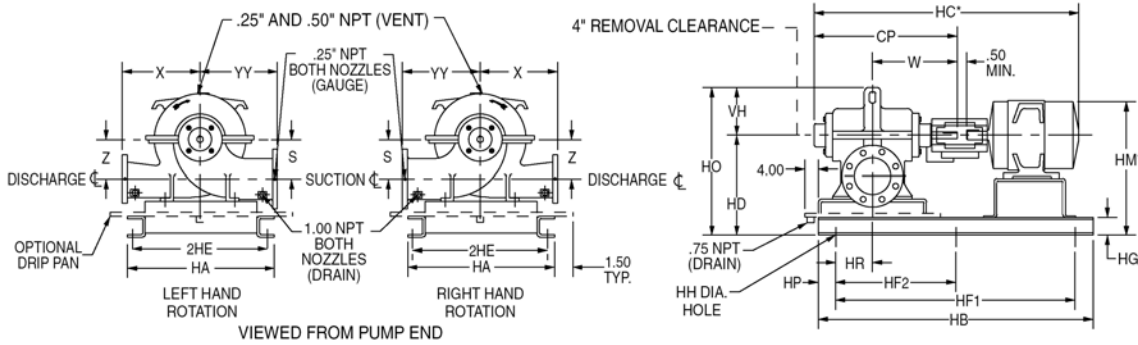
FLOW _____ HEAD _____
 HP _____ RPM _____
 VOLTS _____
 CYCLE _____ PHASE _____
 ENCLOSURE _____
 APPROX. WEIGHT _____
 SPECIALS _____

MATERIALS OF CONSTRUCTION

- Cast Iron Bronze Fitted
- Internally Self Flushing Mech. Seals
- Fabricated Heavy Duty Baseplate
- ANSI/OSHA Coupling Guard
- Flexible Coupling
- Spacer Coupling (Optional)
- Galvanized Drip Pan (Optional)

TYPE OF SEAL

- STANDARD SEAL CONSTRUCTION, 175 PSIG (12 BAR) WORKING PRESSURE, 125# ANSI FLANGE CONFIGURATION
- STANDARD:** Crane Type 21, BUNA/Carbon Ceramic, 100 psig (6.8 Bar) maximum suction pressure, from -20° to 225°F (-29 °C to 107 °C).
 - OPTIONAL:** Crane Type 21, EPR/Carbon Ceramic, 100 psig (6.8 Bar) maximum suction pressure, from -20° to 250°F (-29 °C to 121 °C).
 - OPTIONAL:** Crane Type 21, EPR/Carbon Tungsten Carbide, 100 psig (6.8 Bar) maximum suction pressure, from -20° to 250°F (-29 °C to 121 °C).



DIMENSIONS - Inches (mm)

MOTOR FRAME	HA	HB	2HE	HF ₁	HF ₂	HG	HH	HP	HR	CP	HC*	HD	HM*	HO	S & Z	VH	W	X	YY
143	20 (508)	44 (1118)	18 (457)	32 (813)	16 (406)	4 (102)	1 (25)	6 (152)	2.25 (57)	18.62 (473)	31 (787)	15.25 (387)	20 (508)	22.05 (560)	5.5 (140)	6.8 (173)	11.31 (287)	9 (229)	10 (254)
145	20 (508)	44 (1118)	18 (457)	32 (813)	16 (406)	4 (102)	1 (25)	6 (152)	2.25 (57)	18.62 (473)	32 (813)	15.25 (387)	20 (508)	22.05 (560)	5.5 (140)	6.8 (173)	11.31 (287)	9 (229)	10 (254)
182	20 (508)	44 (1118)	18 (457)	32 (813)	16 (406)	4 (102)	1 (25)	6 (152)	2.25 (57)	18.62 (473)	33 (838)	15.25 (387)	21 (533)	22.05 (560)	5.5 (140)	6.8 (173)	11.31 (287)	9 (229)	10 (254)
184	20 (508)	44 (1118)	18 (457)	32 (813)	16 (406)	4 (102)	1 (25)	6 (152)	2.25 (57)	18.62 (473)	34 (864)	15.25 (387)	21 (533)	22.05 (560)	5.5 (140)	6.8 (173)	11.31 (287)	9 (229)	10 (254)
213	20 (508)	44 (1118)	18 (457)	32 (813)	16 (406)	4 (102)	1 (25)	6 (152)	2.25 (57)	18.62 (473)	37 (940)	15.25 (387)	22 (559)	22.05 (560)	5.5 (140)	6.8 (173)	11.31 (287)	9 (229)	10 (254)
215	20 (508)	44 (1118)	18 (457)	32 (813)	16 (406)	4 (102)	1 (25)	6 (152)	2.25 (57)	18.62 (473)	39 (991)	15.25 (387)	22 (559)	22.05 (560)	5.5 (140)	6.8 (173)	11.31 (287)	9 (229)	10 (254)
254	20 (508)	54 (1372)	18 (457)	42 (1067)	21 (533)	4 (102)	1 (25)	6 (152)	2.25 (57)	18.62 (473)	42 (1067)	15.25 (387)	23 (584)	22.05 (560)	5.5 (140)	6.8 (173)	11.31 (287)	9 (229)	10 (254)
256	20 (508)	54 (1372)	18 (457)	42 (1067)	21 (533)	4 (102)	1 (25)	6 (152)	2.25 (57)	18.621 (473)	43 (1092)	15.25 (387)	23 (584)	22.05 (560)	5.5 (140)	6.8 (173)	11.31 (287)	9 (229)	10 (254)
284	20 (508)	54 (1372)	18 (457)	42 (1067)	21 (533)	4 (102)	1 (25)	6 (152)	2.25 (57)	18.62 (473)	44 (1118)	15.25 (387)	24 (610)	22.05 (560)	5.5 (140)	6.8 (173)	11.31 (287)	9 (229)	10 (254)
286	20 (508)	54 (1372)	18 (457)	42 (1067)	21 (533)	4 (102)	1 (25)	6 (152)	2.25 (57)	18.62 (473)	45 (1143)	15.25 (387)	24 (610)	22.05 (560)	5.5 (140)	6.8 (173)	11.31 (287)	9 (229)	10 (254)
324	20 (508)	54 (1372)	18 (457)	42 (1067)	21 (533)	4 (102)	1 (25)	6 (152)	2.25 (57)	18.62 (473)	47 (1194)	15.25 (387)	25 (635)	22.05 (560)	5.5 (140)	6.8 (173)	11.31 (287)	9 (229)	10 (254)
326	20 (508)	54 (1372)	18 (457)	42 (1067)	21 (533)	4 (102)	1 (25)	6 (152)	2.25 (57)	18.62 (473)	48 (1219)	15.25 (387)	25 (635)	22.05 (560)	5.5 (140)	6.8 (173)	11.31 (287)	9 (229)	10 (254)
364	20 (508)	54 (1372)	18 (457)	42 (1067)	21 (533)	4 (102)	1 (25)	6 (152)	2.25 (57)	18.62 (473)	49 (1245)	15.25 (387)	26 (660)	22.05 (560)	5.5 (140)	6.8 (173)	11.31 (287)	9 (229)	10 (254)
365	20 (508)	54 (1372)	18 (457)	42 (1067)	21 (533)	4 (102)	1 (25)	6 (152)	2.25 (57)	18.62 (473)	50 (1270)	15.25 (387)	26 (660)	22.05 (560)	5.5 (140)	6.8 (173)	11.31 (287)	9 (229)	10 (254)

Dimensions are subject to change. Not to be used for construction purposes unless certified.

*Motor dimensions are approximate for "T" frames, vary by manufacturer and type.

Xylem Inc.
 8200 N. Austin Avenue
 Morton Grove, IL 60053
 Phone: (847)966-3700
 Fax: (847)965-8379
 www.xyleminc.com/brands/bellgossett

