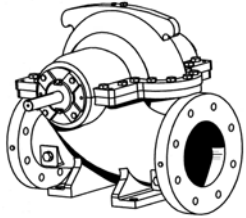


JOB: UNIT TAG: ENGINEER: CONTRACTOR:	REPRESENTATIVE: ORDER NO. SUBMITTED BY: APPROVED BY:	DATE: DATE: DATE:
---	---	--



6x8x12M

Series HSC³

Base Mounted - Double Suction Centrifugal Pumps

SPECIFICATIONS

FLOW _____ HEAD _____

HP _____ RPM _____

VOLTS _____

CYCLE _____ PHASE _____

ENCLOSURE _____

APPROX. WEIGHT _____

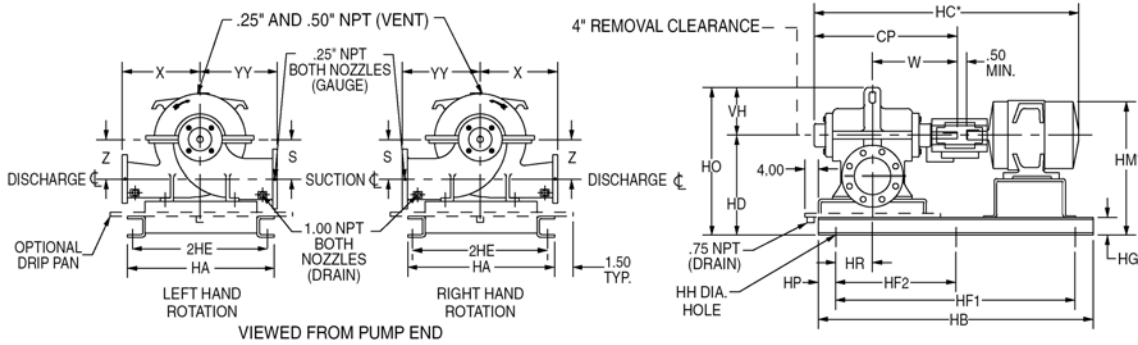
SPECIALS _____

MATERIALS OF CONSTRUCTION

- Cast Iron Bronze Fitted
- Internally Self Flushing Mech. Seals
- Fabricated Heavy Duty Baseplate
- ANSI/OSHA Coupling Guard
- Flexible Coupling
- Spacer Coupling (Optional)
- Galvanized Drip Pan (Optional)

TYPE OF SEAL

- STANDARD SEAL CONSTRUCTION, 175 PSIG (12 BAR)
WORKING PRESSURE, 125# ANSI FLANGE CONFIGURATION
- STANDARD:** Crane Type 21, BUNA/Carbon Ceramic, 100 psig (6.8 Bar) maximum suction pressure, from -20° to 225°F (-29 °C to 107 °C).
 - OPTIONAL:** Crane Type 21, EPR/Carbon Ceramic, 100 psig (6.8 Bar) maximum suction pressure, from -20° to 250°F (-29 °C to 121 °C).
 - OPTIONAL:** Crane Type 21, EPR/Carbon Tungsten Carbide, 100 psig (6.8 Bar) maximum suction pressure, from -20° to 250°F (-29 °C to 121 °C).



DIMENSIONS - Inches (mm)

MOTOR FRAME	HA	HB	2HE	HF ₁	HF ₂	HG	HH	HP	HR	CP	HC*	HD	HM*	HO	S & Z	VH	W	X	YY
254	24 (610)	58 (1473)	22 (559)	46 (1168)	23 (584)	4 (102)	1 (25)	6 (152)	4.62 (117)	22.81 (579)	45 (1143)	21.25 (540)	29 (737)	30.85 (784)	9 (229)	9.6 (244)	13.5 (343)	14 (356)	14 (356)
256	24 (610)	58 (1473)	22 (559)	46 (1168)	23 (584)	4 (102)	1 (25)	6 (152)	4.62 (117)	22.81 (579)	47 (1194)	21.25 (540)	29 (737)	30.85 (784)	9 (229)	9.6 (244)	13.5 (343)	14 (356)	14 (356)
284	24 (610)	58 (1473)	22 (559)	46 (1168)	23 (584)	4 (102)	1 (25)	6 (152)	4.62 (117)	22.81 (579)	48 (1219)	21.25 (540)	30 (762)	30.85 (784)	9 (229)	9.6 (244)	13.5 (343)	14 (356)	14 (356)
286	24 (610)	58 (1473)	22 (559)	46 (1168)	23 (584)	4 (102)	1 (25)	6 (152)	4.62 (117)	22.81 (579)	50 (1270)	21.25 (540)	30 (762)	30.85 (784)	9 (229)	9.6 (244)	13.5 (343)	14 (356)	14 (356)
324	24 (610)	58 (1473)	22 (559)	46 (1168)	23 (584)	4 (102)	1 (25)	6 (152)	4.62 (117)	22.81 (579)	51 (1295)	21.25 (540)	31 (781)	30.85 (784)	9 (229)	9.6 (244)	13.5 (343)	14 (356)	14 (356)
326	24 (610)	58 (1473)	22 (559)	46 (1168)	23 (584)	4 (102)	1 (25)	6 (152)	4.62 (117)	22.81 (579)	53 (1346)	21.25 (540)	31 (781)	30.85 (784)	9 (229)	9.6 (244)	13.5 (343)	14 (356)	14 (356)
364	24 (610)	64 (1626)	22 (559)	52 (1321)	26 (660)	4 (102)	1 (25)	6 (152)	4.62 (117)	22.81 (579)	53 (1346)	21.25 (540)	32 (813)	30.85 (784)	9 (229)	9.6 (244)	13.5 (343)	14 (356)	14 (356)
365	24 (610)	64 (1626)	22 (559)	52 (1321)	26 (660)	4 (102)	1 (25)	6 (152)	4.62 (117)	22.81 (579)	54 (1372)	21.25 (540)	32 (813)	30.85 (784)	9 (229)	9.6 (244)	13.5 (343)	14 (356)	14 (356)
404	24 (610)	64 (1626)	22 (559)	52 (1321)	26 (660)	4 (102)	1 (25)	6 (152)	4.62 (117)	22.81 (579)	60 (1524)	21.25 (540)	33 (838)	30.85 (784)	9 (229)	9.6 (244)	13.5 (343)	14 (356)	14 (356)
405	24 (610)	64 (1626)	22 (559)	52 (1321)	26 (660)	4 (102)	1 (25)	6 (152)	4.62 (117)	22.81 (579)	61 (1549)	21.25 (540)	33 (838)	30.85 (784)	9 (229)	9.6 (244)	13.5 (343)	14 (356)	14 (356)
444	24 (610)	76 (1930)	22 (559)	64 (1626)	32 (813)	6 (152)	1 (25)	6 (152)	4.62 (117)	22.81 (579)	66 (1676)	23.25 (591)	35 (889)	32.85 (834)	9 (229)	9.6 (244)	13.5 (343)	14 (356)	14 (356)
445	24 (610)	76 (1930)	22 (559)	64 (1626)	32 (813)	6 (152)	1 (25)	6 (152)	4.62 (117)	22.81 (579)	68 (1727)	23.25 (591)	35 (889)	32.85 (834)	9 (229)	9.6 (244)	13.5 (343)	14 (356)	14 (356)
447	24 (610)	76 (1930)	22 (559)	64 (1626)	32 (813)	6 (152)	1 (25)	6 (152)	4.62 (117)	22.81 (579)	71 (1803)	23.25 (591)	35 (889)	32.85 (834)	9 (229)	9.6 (244)	13.5 (343)	14 (356)	14 (356)

Dimensions are subject to change. Not to be used for construction purposes unless certified.

Xylem Inc.
 8200 N. Austin Avenue
 Morton Grove, IL 60053
 Phone: (847)966-3700
 Fax: (847)965-8379
 www.xyleminc.com/brands/bellgossett

