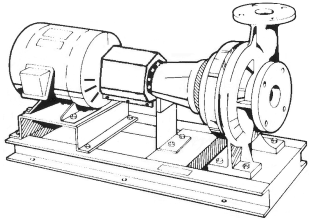


JOB: UNIT TAG: ENGINEER: CONTRACTOR:	REPRESENTATIVE: ORDER NO.: SUBMITTED BY: APPROVED BY:	DATE: DATE: DATE:
---	--	--



5G

Series 1510 (1450 RPM Only)

Centrifugal Pumps - Base Mounted

SPECIFICATIONS

FLOW _____ HEAD _____

HP _____ RPM _____

VOLTS _____

CYCLE _____ PHASE _____

ENCLOSURE _____

APPROX. WEIGHT _____

SPECIALS _____

MATERIALS OF CONSTRUCTION

- BRONZE FITTED ALL IRON

FEATURES

- i-ALERT™ Condition Monitor
- ANSI/OSHA Coupling Guard
- Center Drop Out Spacer Coupling
- Fabricated Heavy Duty Baseplate

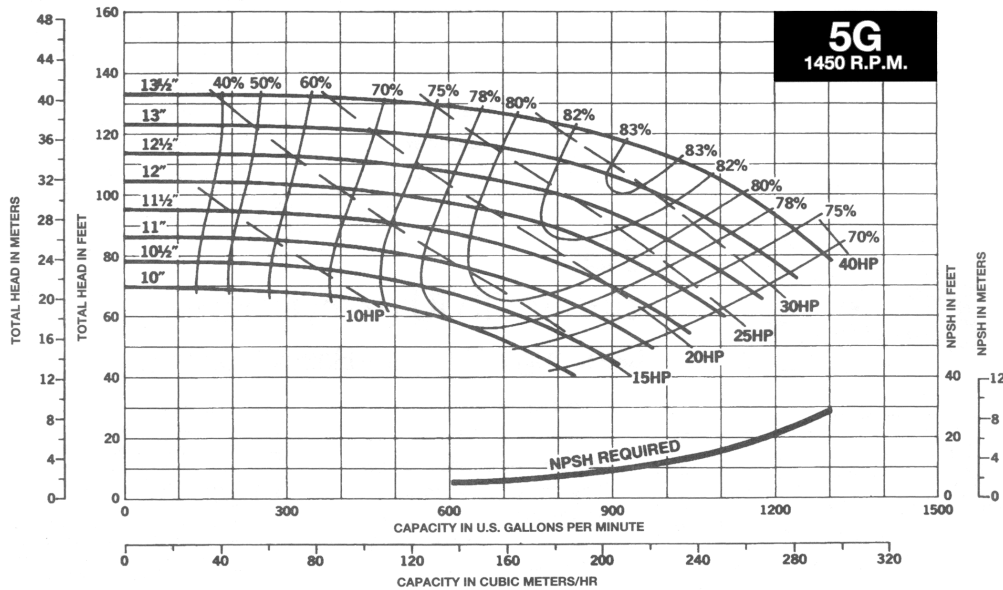
MAXIMUM WORKING PRESSURE

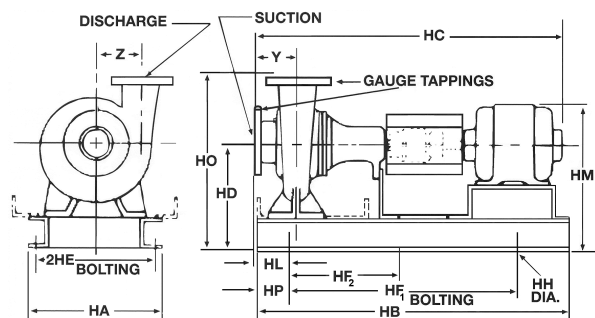
- 175 psi (12 bar) W.P.
w/125# ANSI flange drilling
- 250 psi (17 bar) W.P.
w/250# ANSI flange drilling
(requires 1510-S)

TYPE OF SEAL

- 1510 Standard Seal
(Buna-Carbon/Ceramic)
- 1510 -F Standard Seal w/ Flush Line
(Buna-Carbon/Ceramic)
- 1510 -S Stuffing Box construction w/ Flushed
Mechanical Single Seal
(EPR-Tungsten Carbide/Carbon)
- 1510 -D Stuffing Box construction w/ Flushed
Double Mechanical Seal
(EPR-Carbon/Ceramic)
Requires external water source
- 1510 -PF Stuffing Box Construction w/ Packing
(Graphite Impregnated Teflon)

Note: Equipped with NEOPRENE coupling





FLANGE DIMENSIONS IN INCHES (MM)			
	SIZE	THICKNESS	O.D.
Discharge	5" (127)	1-3/8 (35)	10-3/4 (273)
Suction	6" (152)	1-7/16 (37)	12-1/8 (308)

FLANGES ARE: 125# ANSI - STANDARD
250# ANSI - AVAILABLE

DIMENSIONS - Inches (mm) STANDARD SEAL 1510, 1510-F

MOTOR FRAME	HA	HB	HC MAX	HD	2HE	HF ₁	HF ₂	HH	HL	HM MAX	HO	HP	Y	Z
"L" FRAME														
254T	24 (610)	56 (1422)	47-1/8 (1197)	16-1/2 (419)	21-1/2 (546)	44 (1118)	22 (559)	1 (25)	5-7/16 (138)	23-3/8 (594)	29-1/2 (749)	6 (152)	6 (152)	9 (229)
256T	24 (610)	56 (1422)	48-7/8 (1241)	16-1/2 (419)	21-1/2 (546)	44 (1118)	22 (559)	1 (25)	5-7/16 (138)	23-3/8 (594)	29-1/2 (749)	6 (152)	6 (152)	9 (229)
284T	24 (610)	56 (1422)	49-7/8 (1267)	16-1/2 (419)	21-1/2 (546)	44 (1118)	22 (559)	1 (25)	5-7/16 (138)	24-1/2 (622)	29-1/2 (749)	6 (152)	6 (152)	9 (229)
286T	24 (610)	56 (1422)	51-3/8 (1305)	16-1/2 (419)	21-1/2 (546)	44 (1118)	22 (559)	1 (25)	5-7/16 (138)	24-1/2 (622)	29-1/2 (749)	6 (152)	6 (152)	9 (229)
324T	24 (610)	56 (1422)	53-3/8 (1356)	16-1/2 (419)	21-1/2 (546)	44 (1118)	22 (559)	1 (25)	5-7/16 (138)	25-5/8 (651)	29-1/2 (749)	6 (152)	6 (152)	9 (229)
326T	24 (610)	56 (1422)	54-7/8 (1394)	16-1/2 (419)	21-1/2 (546)	44 (1118)	22 (559)	1 (25)	5-7/16 (138)	25-5/8 (651)	29-1/2 (749)	6 (152)	6 (152)	9 (229)
364T	24 (610)	56 (1422)	57-1/8 (1451)	16-1/2 (419)	21-1/2 (546)	44 (1118)	22 (559)	1 (25)	5-7/16 (138)	26-3/4 (679)	29-1/2 (749)	6 (152)	6 (152)	9 (229)

STUFFING BOX 1510-PF, 1510-S, 1510-D

MOTOR FRAME	HA	HB	HC MAX	HD	2HE	HF ₁	HF ₂	HH	HL	HM MAX	HO	HP	Y	Z
"L" FRAME														
254T	24 (610)	56 (1422)	49-1/2 (1257)	16-1/2 (419)	21-1/2 (546)	44 (1118)	22 (559)	1 (25)	5-7/16 (138)	23-3/8 (594)	29-1/2 (749)	6 (152)	6 (152)	9 (229)
256T	24 (610)	56 (1422)	51-1/4 (1302)	16-1/2 (419)	21-1/2 (546)	44 (1118)	22 (559)	1 (25)	5-7/16 (138)	23-3/8 (594)	29-1/2 (749)	6 (152)	6 (152)	9 (229)
284T	24 (610)	56 (1422)	52-1/4 (1327)	16-1/2 (419)	21-1/2 (546)	44 (1118)	22 (559)	1 (25)	5-7/16 (138)	24-1/2 (622)	29-1/2 (749)	6 (152)	6 (152)	9 (229)
286T	24 (610)	56 (1422)	53-3/4 (1365)	16-1/2 (419)	21-1/2 (546)	44 (1118)	22 (559)	1 (25)	5-7/16 (138)	24-1/2 (622)	29-1/2 (749)	6 (152)	6 (152)	9 (229)
324T	24 (610)	56 (1422)	55-3/4 (1416)	16-1/2 (419)	21-1/2 (546)	44 (1118)	22 (559)	1 (25)	5-7/16 (138)	25-5/8 (651)	29-1/2 (749)	6 (152)	6 (152)	9 (229)
326T	24 (610)	56 (1422)	57-1/4 (1454)	16-1/2 (419)	21-1/2 (546)	44 (1118)	22 (559)	1 (25)	5-7/16 (138)	25-5/8 (651)	29-1/2 (749)	6 (152)	6 (152)	9 (229)
364T	24 (610)	56 (1422)	59-1/2 (1511)	16-1/2 (419)	21-1/2 (546)	44 (1118)	22 (559)	1 (25)	5-7/16 (138)	26-3/4 (679)	29-1/2 (749)	6 (152)	6 (152)	9 (229)

Dimensions are subject to change. Not to be used for construction purposes unless certified.

Xylem Inc.
8200 N. Austin Avenue
Morton Grove, IL 60053
Phone: (847)966-3700
Fax: (847)965-8379
www.xyleminc.com/brands/bellgossett

