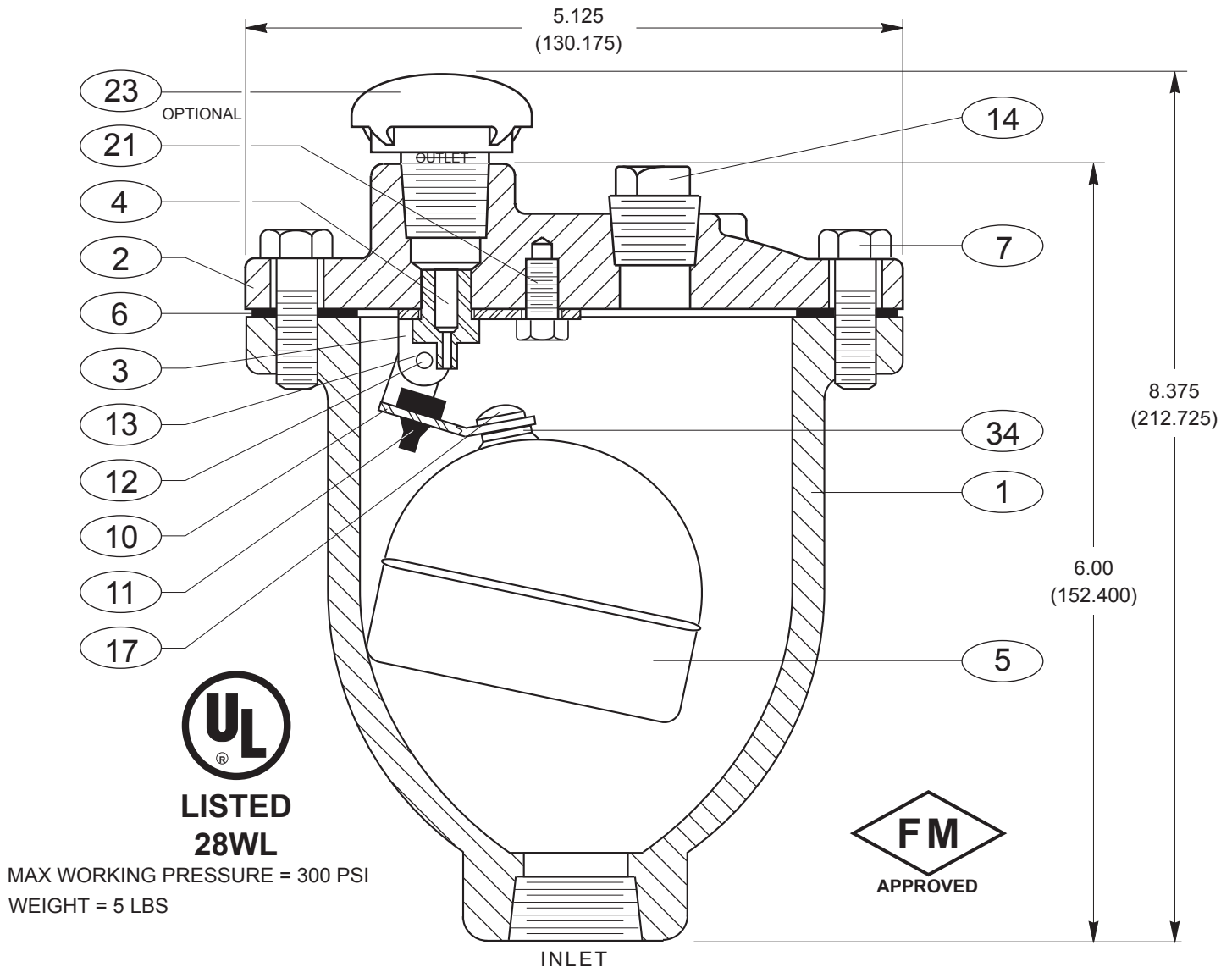


AUTOMATIC AIR RELEASE VALVE



- | | | | |
|----|-------------|----|--------------------------|
| 1 | BODY | 11 | ORIFICE BUTTON |
| 2 | COVER | 12 | PIVOT PIN |
| 3 | LEVER FRAME | 13 | PIN RETAINER (NOT SHOWN) |
| 4 | SEAT | 14 | PIPE PLUG |
| 5 | FLOAT | 17 | FLOAT RETAINER |
| 6 | GASKET | 21 | LOCATOR |
| 7 | COVER BOLT | 23 | SCREENED HOOD |
| 10 | FLOAT ARM | 34 | LOCK WASHER |

NOTE: 1.00 NPT INLET.
THREADED BUSHINGS
PROVIDED FOR SMALLER
SIZES.

NOT FOR CONSTRUCTION, INSTALLATION OR APPLICATION PURPOSES UNLESS CERTIFIED		
CERTIFIED FOR:		
CUSTOMER ORDER NO.:	TAG NO.	
SHOP ORDER:	CERTIFIED BY:	DATE: