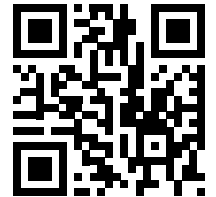
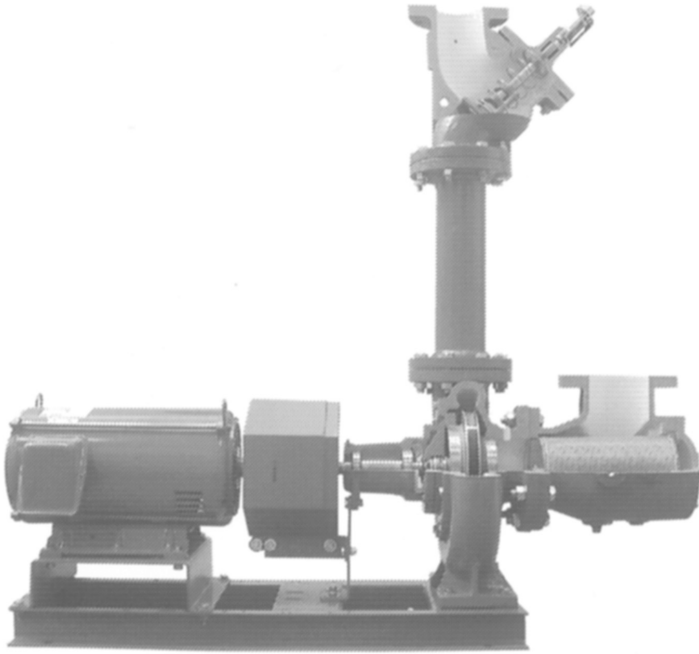


INSTRUCTION MANUAL

A91310M



# Suction Diffuser



---

# Table of Contents

<b>1 Introduction and Safety</b> .....	<b>2</b>
1.1 Introduction.....	2
1.2 Safety.....	2
1.2.1 Safety terminology and symbols.....	2
1.2.2 User safety.....	3
1.2.3 Protecting the environment.....	4
<b>2 Transportation and Storage</b> .....	<b>5</b>
2.1 Examine the delivery.....	5
2.1.1 Examine the package.....	5
2.1.2 Examine the unit.....	5
<b>3 Product Description</b> .....	<b>6</b>
3.1 General description.....	6
3.2 Operation specifications.....	6
<b>4 Installation</b> .....	<b>7</b>
4.1 Installation guidelines.....	7
<b>5 Operation</b> .....	<b>10</b>
5.1 Operation guidelines.....	10
<b>6 Maintenance</b> .....	<b>11</b>
6.1 Inspect the orifice cylinder.....	11
6.2 Service the suction diffuser .....	11
<b>7 Product warranty</b> .....	<b>14</b>

# 1 Introduction and Safety

## 1.1 Introduction

### Purpose of this manual

The purpose of this manual is to provide necessary information for:

- Installation
- Operation
- Maintenance



### CAUTION:

Read this manual carefully before installing and using the product. Improper use of the product can cause personal injury and damage to property, and may void the warranty.

### NOTICE:

Save this manual for future reference, and keep it readily available at the location of the unit.

## 1.2 Safety



### WARNING:

- The operator must be aware of safety precautions to prevent physical injury.
- Operating, installing, or maintaining the unit in any way that is not covered in this manual could cause death, serious personal injury, or damage to the equipment. This includes any modification to the equipment or use of parts not provided by Xylem. If there is a question regarding the intended use of the equipment, please contact a Xylem representative before proceeding.
- Do not change the service application without the approval of an authorized Xylem representative.



### CAUTION:

You must observe the instructions contained in this manual. Failure to do so could result in physical injury, damage, or delays.


### 1.2.1 Safety terminology and symbols



#### About safety messages

It is extremely important that you read, understand, and follow the safety messages and regulations carefully before handling the product. They are published to help prevent these hazards:

- Personal accidents and health problems
- Damage to the product and its surroundings
- Product malfunction



#### Hazard levels

Hazard level	Indication
 <p><b>DANGER:</b></p>	<p>A hazardous situation which, if not avoided, will result in death or serious injury</p>

Hazard level	Indication
 <b>WARNING:</b>	A hazardous situation which, if not avoided, could result in death or serious injury
 <b>CAUTION:</b>	A hazardous situation which, if not avoided, could result in minor or moderate injury
<b>NOTICE:</b>	Notices are used when there is a risk of equipment damage or decreased performance, but not personal injury.

### Special symbols

Some hazard categories have specific symbols, as shown in the following table.

Electrical hazard	Magnetic fields hazard
 <b>Electrical Hazard:</b>	 <b>CAUTION:</b>

## 1.2.2 User safety

### General safety rules

These safety rules apply:

- Always keep the work area clean.
- Pay attention to the risks presented by gas and vapors in the work area.
- Avoid all electrical dangers. Pay attention to the risks of electric shock or arc flash hazards.
- Always bear in mind the risk of drowning, electrical accidents, and burn injuries.

### Safety equipment

Use safety equipment according to the company regulations. Use this safety equipment within the work area:

- Hard hat
- Safety goggles, preferably with side shields
- Protective shoes
- Protective gloves
- Gas mask
- Hearing protection
- First-aid kit
- Safety devices

#### NOTICE:

Never operate a unit unless safety devices are installed. Also see specific information about safety devices in other chapters of this manual.

### Electrical connections

Electrical connections must be made by certified electricians in compliance with all international, national, state, and local regulations. For more information about requirements, see sections dealing specifically with electrical connections.

**Precautions before work**

Observe these safety precautions before you work with the product or are in connection with the product:

- Provide a suitable barrier around the work area, for example, a guard rail.
- Make sure that all safety guards are in place and secure.
- Make sure that you have a clear path of retreat.
- Make sure that the product cannot roll or fall over and injure people or damage property.
- Make sure that the lifting equipment is in good condition and is properly sized for the load to be lifted.
- Use a lifting harness and safety line, as required.
- Allow all system components to cool before you handle them.
- Make sure that the product has been thoroughly cleaned.
- Disconnect and lock out power before you install or service the suction diffuser.
- Check the explosion risk before you weld or use electric hand tools.

**1.2.2.1 Wash the skin and eyes**

Follow these procedures for chemicals or hazardous fluids that have come into contact with your eyes or your skin:

Condition	Action
Chemicals or hazardous fluids in eyes	<ol style="list-style-type: none"> <li>1. Hold your eyelids apart forcibly with your fingers.</li> <li>2. Rinse the eyes with eyewash or running water for at least 15 minutes.</li> <li>3. Seek medical attention.</li> </ol>
Chemicals or hazardous fluids on skin	<ol style="list-style-type: none"> <li>1. Remove contaminated clothing.</li> <li>2. Wash the skin with soap and water for at least 1 minute.</li> <li>3. Seek medical attention, if necessary.</li> </ol>

**1.2.3 Protecting the environment**

**Emissions and waste disposal**

Observe the local regulations and codes regarding:

- Reporting of emissions to the appropriate authorities
- Sorting, recycling and disposal of solid or liquid waste
- Clean-up of spills

**Exceptional sites**




---

**CAUTION: Radiation Hazard**

Do NOT send the product to Xylem if it has been exposed to nuclear radiation, unless Xylem has been informed and appropriate actions have been agreed upon.

---

**Recycling guidelines**

Always follow local laws and regulations regarding recycling.

# 2 Transportation and Storage

## 2.1 Examine the delivery

### 2.1.1 Examine the package

1. Examine the package for damaged or missing items upon delivery.
2. Record any damaged or missing items on the receipt and freight bill.
3. If anything is out of order, then file a claim with the shipping company.  
If the product has been picked up at a distributor, make a claim directly to the distributor.

### 2.1.2 Examine the unit

1. Remove packing materials from the product.  
Dispose of all packing materials in accordance with local regulations.
2. To determine whether any parts have been damaged or are missing, examine the product.
3. If applicable, unfasten the product by removing any screws, bolts, or straps.  
Use care around nails and straps.
4. If there is any issue, then contact a sales representative.

# 3 Product Description

## 3.1 General description

The Suction Diffuser is an angle pattern flow straightening fitting that combines a diffuser-strainer orifice cylinder and full length straightening vanes to provide ideal flow conditions for the pump suction. It saves space and money by eliminating the need for long or short radius elbows, reducing flanges, and long lengths of pipe leading into the suction side of the pump.

The Suction Diffuser is designed for direct application to the pump suction and provides ideal flow conditions for the pump, providing NPSH requirements are met.

The main features are:

- The orifice cylinder has a free area equal to five times the cross section of the pump suction opening and serves as a coarse strainer to protect the pump from large sediment.
- A disposable fine mesh bronze start-up strainer is provided in conjunction with the orifice cylinder to help protect the pump and clean the system by capturing small particles and other debris during system commissioning.

### Parts included in package

- Suction Diffuser
- Instruction Manual

### Additional parts needed:

- Flange gaskets
- Nuts and bolts
- Foot support
- Support leg



### WARNING:

This product can expose you to chemicals including Lead, which is known to the State of California to cause cancer and birth defects or other reproductive harm. For more information go to: [www.P65Warnings.ca.gov](http://www.P65Warnings.ca.gov).

### NOTICE:

This product is not intended for potable water applications.

## 3.2 Operation specifications

Type	Maximum working pressure	Maximum operating temperature
Pump connection flanged or NPT and system connection flanged, NPT, or grooved	175 psi (1207 kPa)	121°C (250°F)
Pump connection grooved with adapter flange and system connection grooved	300 psi (2069 kPa)	121°C (250°F)



# 4 Installation

## 4.1 Installation guidelines




---

**WARNING:**

All procedures must be performed by qualified personnel.

---

- Before selecting a location for the pump Suction Diffuser , make sure that there is enough room to remove the Suction Diffuser orifice cylinder. The length requirements are Shown as Dimension "A" in the following table.
  - If the pump pad is resilient mounted (rubber or spring), make sure that the pad is large enough to include an adjustable Suction Diffuser support leg.
  - A support leg, not furnished, is required between the Suction Diffuser and the support foot, not furnished, to support the Suction Diffuser and prevent strain on the pump. Bosses are provided on the Suction Diffuser to locate the support leg and facilitate mounting the Suction Diffuser in any of three positions. The length of the support leg varies depending on the pump centerline to mounting surface dimension. The support leg can be made of Schedule 40 pipe. Refer to column "D" in the following table for the required diameter of the support leg. Final height adjustment is made with the adjustable support foot.
- 


**WARNING:**

Potential structural damage. Adjustable foot must be installed and adjusted to support piping weight to prevent damage to Suction Diffuser and pump.

---

- When installing flanged model Suction Diffuser , a criss-cross pattern should be used when tightening the bolts. If PTFE tape is used when installing cast iron NPT Models, be careful not to overtighten the connections. Cracks may develop in the casting.
- 


**WARNING:**

Potential gasket leakage. A criss-cross pattern must be used when tightening flanged joint bolts.

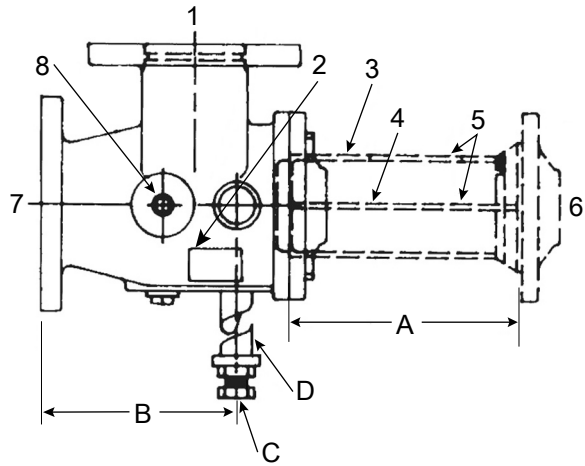
---


**CAUTION:**

The use of PTFE tape impregnated pipe compound and PTFE tape on pipe threads provides lubricity which can lead to overtightening and breakage.

---

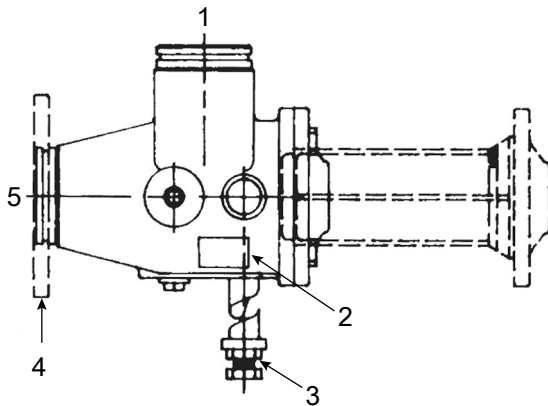
- Suction Diffuser blowdown is best accomplished with the system connection in the 12 o'clock position. Blowdown is less effective with the system connection in the 3 and 9 o'clock positions.
  - When insulating the Suction Diffuser after system installation, provisions should be made to permit removal of the start-up strainer, orifice cylinder, and inlet vane assembly.
  - It is recommended that a pressure-vacuum gauge be installed in the integral 1/4" NPT tapping to monitor pump inlet pressure.
-



1. System
2. Warning label #V56871 installed here. If missing it must be replaced.
3. Start-up strainer
4. Orifice cylinder (Strainer)
5. Inlet vanes (Baffle)
6. Cover
7. Pump
8. Gauge port

- A = To remove diffuser
- B = Distance to support leg
- C = Foot support, not furnished
- D = Support leg, not furnished

Figure 1: Working pressure 175 PSI (1207 KPa), 121°C (250°F)



1. System
2. Warning label #V56871 installed here. If missing it must be replaced.
3. Foot support, not furnished
4. Adapter flange
5. Pump

Figure 2: Working pressure 300 PSI (2069 KPa), 121°C (250°F)

Model Number	Dimensions in inches (mm)			
	A*	B	Part Number C	Schedule 40 Diameter D
BA-3	8 (203.2)	3-13/16 (96.8)	A90982	3/4" (19.1)
BB-3	9 (228.6)	3-7/8 (98.4)		
CB-3				
CC-3	11 (279.4)	5-5/8 (142.9)		
SDG-2-1/2				
DA-3	9 (228.6)	3-7/8 (98.4)		
DB-3				
DC-3	11 (279.4)	5-5/8 (142.9)		
EC-3				
DD-3	12 (304.8)	6-6/8 (174.6)	A90883	1-1/4" (31.8)
SDG-3				
ED-3	13 (330.2)			

Model Number	Dimensions in inches (mm)			
	A*	B	Part Number C	Schedule 40 Diameter D
EE-3	14 (355.6)	7-5/8 (193.7)		
SDG-4				
FE-3	15 (381)	9 (228.6)		
FF-3				
SDG-5				
GE-3		7-5/8 (193.7)		
GF-3		9 (228.6)		
GG-3	17 (431.8)	10-1/8 (257.2)		
SDG-6				
HG-3	18 (457.2)	11 (279.4)		
HH-3	21 (533.4)			
SDG-8				
JH-3				
JJ-3	25 (635)	13-1/2 (342.9)		
SDG-10				

\* Dimension includes orifice cylinder plus 2-1/2" (63.5) clearance.

#### FOR PIPE HANGING INSTALLATIONS

Be aware of water weight in the Suction Diffuser and connected piping when installing your system.

#### NOTICE:

Never use the suction diffuser itself as a form of piping support. Support suction diffusers, valves, and piping according to the local building code. Failure to follow these instructions may result in property damage.

# 5 Operation

## 5.1 Operation guidelines

### Initial operation

The start-up strainer must be removed from the Suction Diffuser within 24 to 48 hours after the initial circulation and cleaning of the system. If left in place, a noticeable increase in pressure drop will be observed as the fine strainer becomes clogged and starts restricting flow through the Suction Diffuser. See [Service the suction diffuser](#) on page 11 in the Maintenance chapter of this manual for instructions for the removal of this strainer.

### Continued operation

Follow the instructions in [Service the suction diffuser](#) on page 11 in the Maintenance chapter of this manual to inspect the orifice cylinder and remove any blockage that may be present.

A pressure gauge installed in the Gauge port of the Suction Diffuser will warn of a blockage.

---

#### **NOTICE:**

Potential pump damage. Blockage in the suction diffuser can cause serious damage due to cavitation within the pump. NPSH requirements for the pump must be met and maintained. Periodically verify the pressure drop across the suction diffuser and inspect the orifice strainer to prevent blockages that can cause cavitation. Failure to follow these instructions could result in property damage.

---

# 6 Maintenance

## 6.1 Inspect the orifice cylinder

Periodic inspection of inlet vanes and cleaning of the orifice cylinder is required to guard against damage to the pump. If damaged, they must be replaced.

Periodic inspection of inlet vanes (baffles) and cleaning of the orifice cylinder (strainer) is required to guard against damage to the pump. If damaged, they must be replaced.




---

**CAUTION:**

Potential pump damage. Inspect and replace damaged or corroded Suction Diffuser inlet vanes and orifice cylinder so that parts will not be forced into the system pump.

---

## 6.2 Service the suction diffuser

Periodically inspect the Suction Diffuser for signs of leakage or corrosion.




---

**WARNING:**

Risk for property damage, serious personal injury or death. You must replace the suction diffuser if corrosion or leakage is found.

---

To service and inspect the Suction Diffuser , complete the following steps:

1. Shut the pump off and isolate the Suction Diffuser and pump from the system.
2. Allow system temperature to cool to below 38°C (100°F) to reach a safe handling temperature.




---

**WARNING:**

High temperature and pressure hazard. Make sure that system temperature is below 38°C (100°F) and system pressure is reduced and maintained at zero before servicing the unit.

---

3. Open a drain valve in the isolated Suction Diffuser piping and allow system pressure to drop to zero. If fluid continues to flow from the drain valve, repack or replace the isolation valves before proceeding.
4. Loosen the screws that secure the Suction Diffuser cover and break it loose from the body. Make certain all drainage stops before removing the screws and cover.
5. Grasp the inlet vane (baffle) assembly with pliers and pull it out of the Suction Diffuser Body.
6. Remove start up strainer if still in place and inspect the orifice cylinder (strainer) and inlet vane (baffle) assembly for damage. Replace damaged components with new components as required.
7. Inspect the O-ring seal and replace with new component as required.
8. Re-install the orifice cylinder (strainer) into the body, rotating from the original position so that the orifice cylinder (strainer) indentation marks are not aligned with the cast notches on the body. Do NOT align the orifice cylinder (strainer) with weld spots in the notches. See Figure 3.

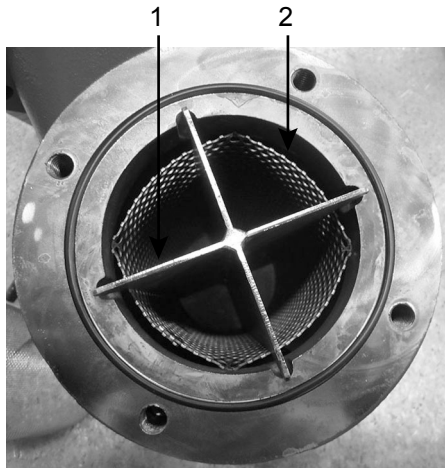


Figure 3: Re-install the strainer

1. Baffle
  2. Strainer
9. Re-install the inlet vanes (baffle) assembly part way. Using a wooden or plastic mallet, gently tap the inlet vanes (baffle) into the notches, pinching the orifice cylinder (strainer) to the body. Make sure that the inlet vanes (baffle) is not tapped in further than the surface of the body. The inlet vanes (baffle) should stick out about 1/8" from the surface of the body. See Figure 4.

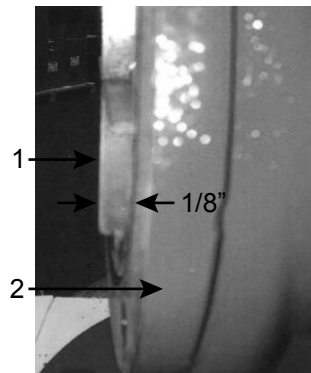


Figure 4: Re-install the baffle

1. Baffle
  2. Body
10. Re-install the cover plate with a criss-cross bolt tightening pattern and push the inlet vanes (baffle) into the body. Make sure all bolts are tightened. See Figure 5.



Figure 5: Re-install the cover plate

11. Open isolation valves slowly and inspect the gasket area for leaks.
12. Return system to normal operation.

# 7 Product warranty

## Commercial warranty

**Warranty.** For goods sold to commercial buyers, Seller warrants the goods sold to Buyer hereunder (with the exception of membranes, seals, gaskets, elastomer materials, coatings and other "wear parts" or consumables all of which are not warranted except as otherwise provided in the quotation or sales form) will be (i) be built in accordance with the specifications referred to in the quotation or sales form, if such specifications are expressly made a part of this Agreement, and (ii) free from defects in material and workmanship for a period of from the date of installation or from the date of shipment (which date of shipment shall not be greater than after receipt of notice that the goods are ready to ship), whichever shall occur first, unless a longer period is specified in the product documentation (the "Warranty").

Except as otherwise required by law, Seller shall, at its option and at no cost to Buyer, either repair or replace any product which fails to conform with the Warranty provided Buyer gives written notice to Seller of any defects in material or workmanship within ten (10) days of the date when any defects or non-conformance are first manifest. Under either repair or replacement option, Seller shall not be obligated to remove or pay for the removal of the defective product or install or pay for the installation of the replaced or repaired product and Buyer shall be responsible for all other costs, including, but not limited to, service costs, shipping fees and expenses. Seller shall have sole discretion as to the method or means of repair or replacement. Buyer's failure to comply with Seller's repair or replacement directions shall terminate Seller's obligations under this Warranty and render the Warranty void. Any parts repaired or replaced under the Warranty are warranted only for the balance of the warranty period on the parts that were repaired or replaced. Seller shall have no warranty obligations to Buyer with respect to any product or parts of a product that have been: (a) repaired by third parties other than Seller or without Seller's written approval; (b) subject to misuse, misapplication, neglect, alteration, accident, or physical damage; (c) used in a manner contrary to Seller's instructions for installation, operation and maintenance; (d) damaged from ordinary wear and tear, corrosion, or chemical attack; (e) damaged due to abnormal conditions, vibration, failure to properly prime, or operation without flow; (f) damaged due to a defective power supply or improper electrical protection; or (g) damaged resulting from the use of accessory equipment not sold or approved by Seller. In any case of products not manufactured by Seller, there is no warranty from Seller; however, Seller will extend to Buyer any warranty received from Seller's supplier of such products.

**THE FOREGOING WARRANTY IS EXCLUSIVE AND IN LIEU OF ANY AND ALL OTHER EXPRESS OR IMPLIED WARRANTIES, GUARANTEES, CONDITIONS OR TERMS OF WHATEVER NATURE RELATING TO THE GOODS PROVIDED HEREUNDER, INCLUDING WITHOUT LIMITATION ANY IMPLIED WARRANTIES OF MERCHANTABILITY AND FITNESS FOR A PARTICULAR PURPOSE, WHICH ARE HEREBY EXPRESSLY DISCLAIMED AND EXCLUDED. EXCEPT AS OTHERWISE REQUIRED BY LAW, BUYER'S EXCLUSIVE REMEDY AND SELLER'S AGGREGATE LIABILITY FOR BREACH OF ANY OF THE FOREGOING WARRANTIES ARE LIMITED TO REPAIRING OR REPLACING THE PRODUCT AND SHALL IN ALL CASES BE LIMITED TO THE AMOUNT PAID BY THE BUYER FOR THE DEFECTIVE PRODUCT. IN NO EVENT SHALL SELLER BE LIABLE FOR ANY OTHER FORM OF DAMAGES, WHETHER DIRECT, INDIRECT, LIQUIDATED, INCIDENTAL, CONSEQUENTIAL, PUNITIVE, EXEMPLARY OR SPECIAL DAMAGES, INCLUDING BUT NOT LIMITED TO LOSS OF PROFIT, LOSS OF ANTICIPATED SAVINGS OR REVENUE, LOSS OF INCOME, LOSS OF BUSINESS, LOSS OF PRODUCTION, LOSS OF OPPORTUNITY OR LOSS OF REPUTATION.**

## Limited consumer warranty

**Warranty.** For goods sold for personal, family or household purposes, Seller warrants the goods purchased hereunder (with the exception of membranes, seals, gaskets, elastomer



materials, coatings and other "wear parts" or consumables all of which are not warranted except as otherwise provided in the quotation or sales form) will be free from defects in material and workmanship for a period of from the date of installation or from the product date code, whichever shall occur first, unless a longer period is provided by law or is specified in the product documentation (the "Warranty").

Except as otherwise required by law, Seller shall, at its option and at no cost to Buyer, either repair or replace any product which fails to conform with the Warranty provided Buyer gives written notice to Seller of any defects in material or workmanship within ten (10) days of the date when any defects or non-conformance are first manifest. Under either repair or replacement option, Seller shall not be obligated to remove or pay for the removal of the defective product or install or pay for the installation of the replaced or repaired product and Buyer shall be responsible for all other costs, including, but not limited to, service costs, shipping fees and expenses. Seller shall have sole discretion as to the method or means of repair or replacement. Buyer's failure to comply with Seller's repair or replacement directions shall terminate Seller's obligations under this Warranty and render this Warranty void. Any parts repaired or replaced under the Warranty are warranted only for the balance of the warranty period on the parts that were repaired or replaced. The Warranty is conditioned on Buyer giving written notice to Seller of any defects in material or workmanship of warranted goods within ten (10) days of the date when any defects are first manifest.

Seller shall have no warranty obligations to Buyer with respect to any product or parts of a product that have been: (a) repaired by third parties other than Seller or without Seller's written approval; (b) subject to misuse, misapplication, neglect, alteration, accident, or physical damage; (c) used in a manner contrary to Seller's instructions for installation, operation and maintenance; (d) damaged from ordinary wear and tear, corrosion, or chemical attack; (e) damaged due to abnormal conditions, vibration, failure to properly prime, or operation without flow; (f) damaged due to a defective power supply or improper electrical protection; or (g) damaged resulting from the use of accessory equipment not sold or approved by Seller. In any case of products not manufactured by Seller, there is no warranty from Seller; however, Seller will extend to Buyer any warranty received from Seller's supplier of such products.

**THE FOREGOING WARRANTY IS PROVIDED IN PLACE OF ALL OTHER EXPRESS WARRANTIES. ALL IMPLIED WARRANTIES, INCLUDING BUT NOT LIMITED TO THE IMPLIED WARRANTIES OF MERCHANTABILITY AND FITNESS FOR A PARTICULAR PURPOSE, ARE LIMITED TO FROM THE DATE OF INSTALLATION OR FROM THE PRODUCT DATE CODE, WHICHEVER SHALL OCCUR FIRST. EXCEPT AS OTHERWISE REQUIRED BY LAW, BUYER'S EXCLUSIVE REMEDY AND SELLER'S AGGREGATE LIABILITY FOR BREACH OF ANY OF THE FOREGOING WARRANTIES ARE LIMITED TO REPAIRING OR REPLACING THE PRODUCT AND SHALL IN ALL CASES BE LIMITED TO THE AMOUNT PAID BY THE BUYER FOR THE DEFECTIVE PRODUCT. IN NO EVENT SHALL SELLER BE LIABLE FOR ANY OTHER FORM OF DAMAGES, WHETHER DIRECT, INDIRECT, LIQUIDATED, INCIDENTAL, CONSEQUENTIAL, PUNITIVE, EXEMPLARY OR SPECIAL DAMAGES, INCLUDING BUT NOT LIMITED TO LOSS OF PROFIT, LOSS OF ANTICIPATED SAVINGS OR REVENUE, LOSS OF INCOME, LOSS OF BUSINESS, LOSS OF PRODUCTION, LOSS OF OPPORTUNITY OR LOSS OF REPUTATION.**

Some states do not allow limitations on how long an implied warranty lasts, so the above limitation may not apply to you. Some states do not allow the exclusion or limitation of incidental or consequential damages, so the above exclusions may not apply to you. This warranty gives you specific legal rights, and you may also have other rights which may vary from state to state.

To make a warranty claim, check first with the dealer from whom you purchased the product or visit [www.xyleminc.com](http://www.xyleminc.com) for the name and location of the nearest dealer providing warranty service.





# Xylem |'zīləm|

- 1) The tissue in plants that brings water upward from the roots;
- 2) a leading global water technology company.

We're a global team unified in a common purpose: creating advanced technology solutions to the world's water challenges. Developing new technologies that will improve the way water is used, conserved, and re-used in the future is central to our work. Our products and services move, treat, analyze, monitor and return water to the environment, in public utility, industrial, residential and commercial building services settings. Xylem also provides a leading portfolio of smart metering, network technologies and advanced analytics solutions for water, electric and gas utilities. In more than 150 countries, we have strong, long-standing relationships with customers who know us for our powerful combination of leading product brands and applications expertise with a strong focus on developing comprehensive, sustainable solutions.

For more information on how Xylem can help you, go to [www.xylem.com](http://www.xylem.com)



Xylem Inc.  
8200 N. Austin Avenue  
Morton Grove IL 60053  
Tel: (847) 966-3700  
Fax: (847) 965-8379  
[www.xylem.com/bellgossett](http://www.xylem.com/bellgossett)

Visit our Web site for the latest version of this document and more information

The original instruction is in English. All non-English instructions are translations of the original instruction.

© 2019 Xylem Inc

Bell & Gossett is a trademark of Xylem Inc or one of its subsidiaries.

A91310M\_en-US\_Suction Diffuser