



JOB:

REPRESENTATIVE:

UNIT TAG:

ORDER NO.

DATE:

ENGINEER:

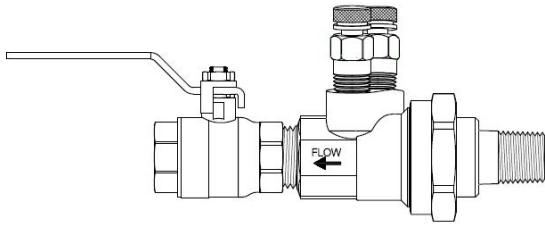
SUBMITTED BY:

DATE:

CONTRACTOR:

APPROVED BY:

DATE:



## MODEL MV

### Venturi Ball/Valve Combination

#### DESCRIPTION

Bell & Gossett's Model MV is a combination calibrated balance, commissioning and positive shut-off valve for use in HVAC systems. An efficient brass Venturi design provides accurate flow balancing with minimal system pressure loss. Valves are furnished with two pressure / temperature ports, standard port ball valve with memory stop, and a hanging ID tag for commissioning. A variety of end connections are available on both the fixed and union ends.

#### MAXIMUM WORKING PRESSURE

400 psig (2,758 kPa)

#### MAXIMUM OPERATING TEMPERATURE

40°F (5°C) to 250°F (121°C)

#### CONSTRUCTION

- Venturi Body: Cast Brass ASTM B763-08A
- Ball Valve: Forged Brass ASTM B283-06
- O-Ring: EPDM
- PT Seal: EPDM Dual Durometer Core
- Handle: Chrome Plated Steel
- Memory Stop: 302 Stainless Steel
- Stem: Brass ASTM B124-09, Blow Out Proof
- Ball: Chrome Plated Brass
- Ball Seat: Teflon
- Packing Nut: Brass ASTM B124-09
- Packing Gland: Teflon

#### ACCURACY

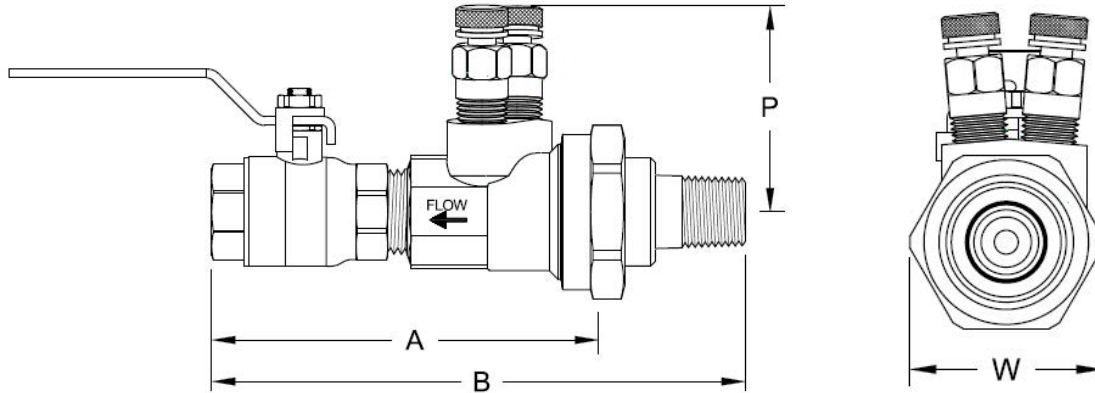
- +/- 1% Between 10" W.C. & 70" W.C.
- +/- 3% Between 5" W.C. & 150" W.C.
- +/- 5% Less than 5" W.C. & Over 150" W.C.

#### SCHEDULE

VALVE SIZE/FIXED END	TAGGING INFORMATION	QUANTITY
½"L Sweat Female		
½"L NPT Female		
½"H Sweat Female		
½"H NPT Female		
¾"UL Sweat Female		
¾"UL NPT Female		
¾"L Sweat Female		
¾"L NPT Female		
¾"H Sweat Female		
¾"H NPT Female		
1" Sweat Female		
1" NPT Female		
1¼" Sweat Female		
1¼" NPT Female		
1½" Sweat Female		
1½" NPT Female		
2" Sweat Female		
2" NPT Female		

**Model MV**

**A-606.40C**



VALVE SIZE/FIXED END	Recommended Flow Rate GPM (l/m)	Cv	DIMENSIONS* INCH (mm)				APPROX. WT. LBS. (kg)
			A	B	P	W	
½"L Sweat Female	0.3 - 1.8 (1.14 - 6.8)	0.10	4.8" (122)	5.5" (140)	2.1" (53)	1.6" (40.6)	1.23 (0.6)
½"L NPT Female	0.3 - 1.8 (1.14 - 6.8)	0.10	4.5" (114)	5.1" (130)	2.1" (53)	1.6" (40.6)	1.23 (0.6)
½"H Sweat Female	0.8 - 4.2 (3.0 - 15.8)	0.25	4.8" (122)	5.5" (140)	2.1" (53)	1.6" (40.6)	1.23 (0.6)
½"H NPT Female	0.8 - 4.2 (3.0 - 15.8)	0.25	4.5" (114)	5.1" (130)	2.1" (53)	1.6" (40.6)	1.23 (0.6)
¾"UL Sweat Female	0.3 - 1.8 (1.14 - 6.8)	0.10	5.2" (132)	6.0" (152)	2.1" (53)	1.6" (40.6)	1.50 (0.7)
¾"UL NPT Female	0.3 - 1.8 (1.14 - 6.8)	0.10	4.7" (119)	5.5" (139)	2.1" (53)	1.6" (40.6)	1.50 (0.7)
¾"L Sweat Female	0.8 - 4.2 (3.0 - 15.8)	0.25	5.2" (132)	6.0" (152)	2.1" (53)	1.8" (46)	1.50 (0.7)
¾"L NPT Female	0.8 - 4.2 (3.0 - 15.8)	0.25	4.7" (119)	5.5" (139)	2.1" (53)	1.8" (46)	1.50 (0.7)
¾"H Sweat Female	1.8 - 8.9 (6.8 - 33.7)	0.50	5.2" (132)	6.0" (152)	2.1" (53)	1.8" (46)	1.50 (0.7)
¾"H NPT Female	1.8 - 8.9 (6.8 - 33.7)	0.50	4.7" (119)	5.5" (139)	2.1" (53)	1.8" (46)	1.50 (0.7)
1" Sweat Female	2.8 - 15.0 (10.61 - 56.82)	0.81	5.7" (148)	6.7" (170)	2.2" (56)	2.1" (53)	2.45 (1.11)
1" NPT Female	2.8 - 15.0 (10.61 - 56.82)	0.81	5.1" (129)	6.0" (152)	2.2" (56)	2.1" (53)	2.45 (1.11)
1¼" Sweat Female	4.8 - 24.0 (18.2 - 90.8)	1.35	6.5" (165)	7.5" (190)	2.4" (61)	2.8" 71	3.50 (1.59)
1¼" NPT Female	4.8 - 24.0 (18.2 - 90.8)	1.35	5.8" (52)	6.7" (168)	2.4" (61)	2.8" 71	3.50 (1.59)
1½" Sweat Female	7.5 - 35.5 (28.4 - 134.4)	2.00	8.0" (203)	9.1" (231)	2.7" (68)	3.1" (79)	4.81 (2.18)
1½" NPT Female	7.5 - 35.5 (28.4 - 134.4)	2.00	7.0" (179)	8.2" (208)	2.7" (68)	3.1" (79)	4.81 (2.18)
2" Sweat Female	12.0 - 69.3 (45.4 - 262.3)	3.38	8.7" (221)	9.8" (249)	3.0" (76)	3.8" (96)	7.25 (3.29)
2" NPT Female	12.0 - 69.3 (45.4 - 262.3)	3.38	7.6" (193)	8.7" (221)	3.0" (76)	3.8" (96)	7.25 (3.29)

\* All dimensions +/- 0.125" tolerance. Dimensions are subject to change. Not to be used for construction purposes unless certified.

Please see Data Chart #EP-600



Xylem Inc.  
 8200 N. Austin Avenue, Morton Grove, IL 60053  
 Phone: (847)966-3700 Fax: (847)965-8379  
 www.xylem.com/bellgossett  
 Bell & Gossett is a trademark of Xylem Inc. or one of its subsidiaries. © 2020 Xylem Inc.