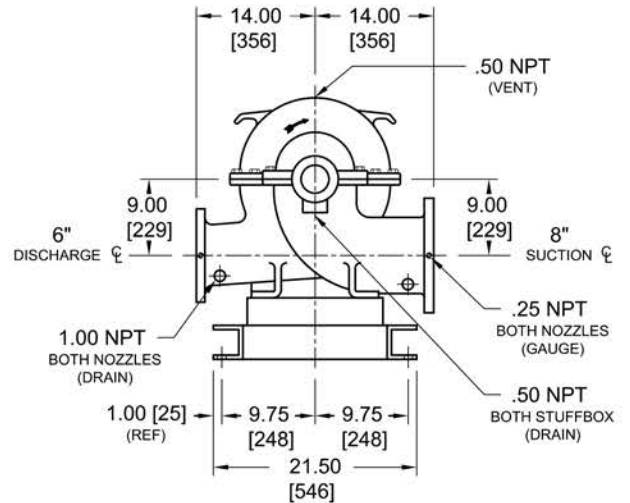
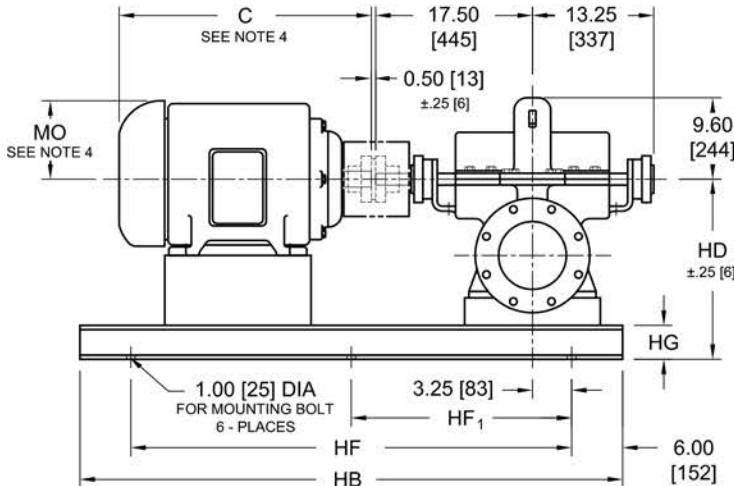
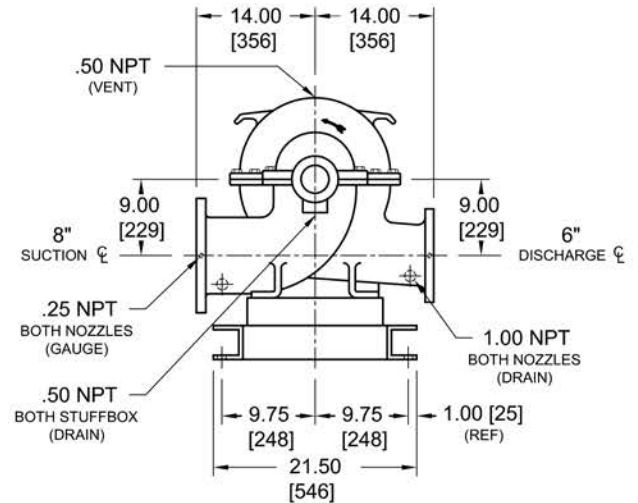


(H)8x6x12F – 8100 SERIES



CW ROTATION VIEWED FROM COUPLING END



CCW ROTATION VIEWED FROM COUPLING END

MOTOR FRAME	C	MO	HB	HF	HF ₁	HD	HG
254	23.30 [592]	7.10 [181]	54.00 [1372]	42.00 [1067]	21.00 [534]	21.25 [540]	4.0 [102]
256	25.00 [635]	7.80 [199]					
284	24.80 [630]	7.80 [199]	60.00 [1524]	48.00 [1220]	24.00 [610]		
286	26.30 [669]	8.60 [219]					
324	28.20 [717]	8.60 [219]	60.00 [1524]	48.00 [1220]	24.00 [610]		
326	29.70 [755]	9.20 [234]					
364	30.00 [762]	9.20 [234]	60.00 [1524]	48.00 [1220]	24.00 [610]		
365	31.00 [788]	10.40 [265]					
404	36.40 [925]	10.40 [265]	76.00 [1931]	64.00 [1626]	32.00 [813]	23.25 [591]	6.00 [153]
405	37.90 [963]	11.80 [300]					
444	42.20 [1072]	11.80 [300]	76.00 [1931]	64.00 [1626]	32.00 [813]	23.25 [591]	6.00 [153]
445	44.20 [1123]						

NOTES:

- ALL DIMENSIONS ARE INCHES [mm].
- SUCTION AND DISCHARGE CONNECTIONS ARE DRILLED PER 125# ANSI B16.1. PUMPS WITH "H" PREFIX HAVE DISCHARGE CONNECTION DRILLED PER 250# ANSI B16.1. FLANGE HOLES STRADDLE CENTERLINE.
- BASE PLATE SETTING (BEFORE PIPING), GROUTING PROCEDURES, AND FINAL ALIGNMENT MUST BE IN ACCORDANCE WITH A-C FIRE PUMPS SYSTEMS RECOMMENDED PROCEDURES OUTLINED IN THE INSTRUCTION MANUAL ASSOCIATED WITH THIS PUMP TYPE.
- MOTOR DIMENSIONS ARE APPROXIMATE FOR A GIVEN NEMA FRAME. CONSULT FACTORY IF SPACE IS LIMITED.
- BOTH SUCTION AND DISCHARGE PIPES MUST BE SUPPORTED INDEPENDENTLY NEAR THE PUMP TO REDUCE STRAIN ON THE PUMP CASING. ALSO EXPANSION JOINTS, IF USED, MUST NOT EXERT FORCE ON CASING.
- COUPLING GUARD MEETS ANSI/OSHA REQUIREMENTS.
- CONSULT FACTORY FOR BASE MOUNTED CONTROLLER.

NOT FOR CONSTRUCTION, INSTALLATION OR APPLICATION PURPOSES UNLESS CERTIFIED								
CERTIFIED FOR:							APPROVAL <input type="checkbox"/> UL <input type="checkbox"/> FM <input type="checkbox"/> ULC	
CUSTOMER ORDER NO.:				TAG NO.			FLANGES	
PUMP DATA	SIZE	MODEL	CURVE NO.	GPM	HEAD	ROTATION	SUCTION	DISCH.
	HP	RPM	VOLTS	PHASE	HERTZ	FRAME SIZE	ENCLOSURE	
MOTOR DATA								
SHOP ORDER:			CERTIFIED BY:			DATE:		