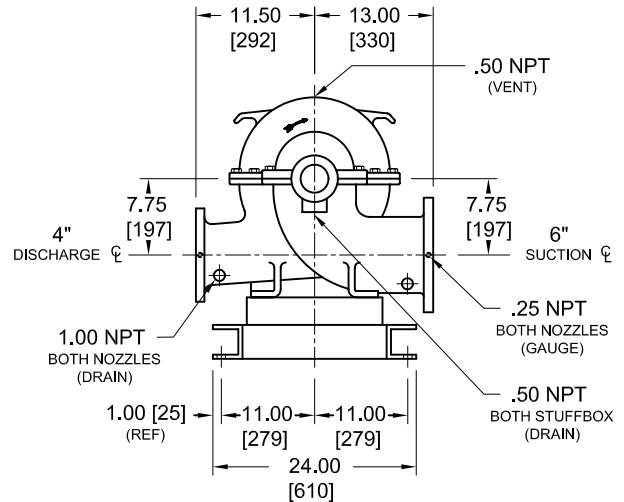
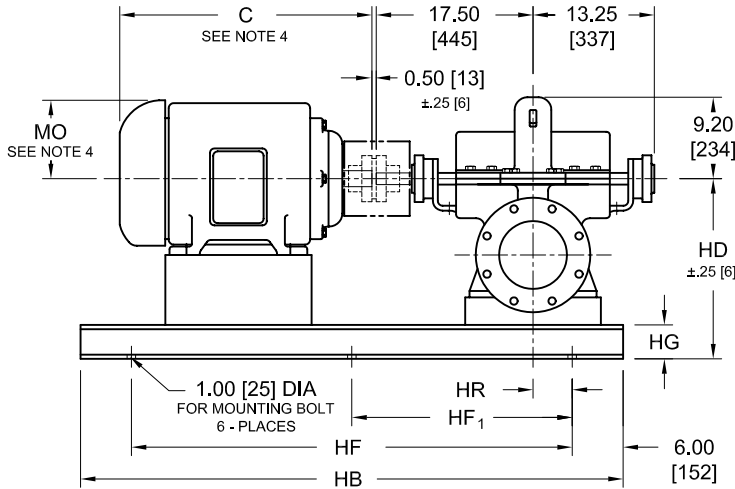
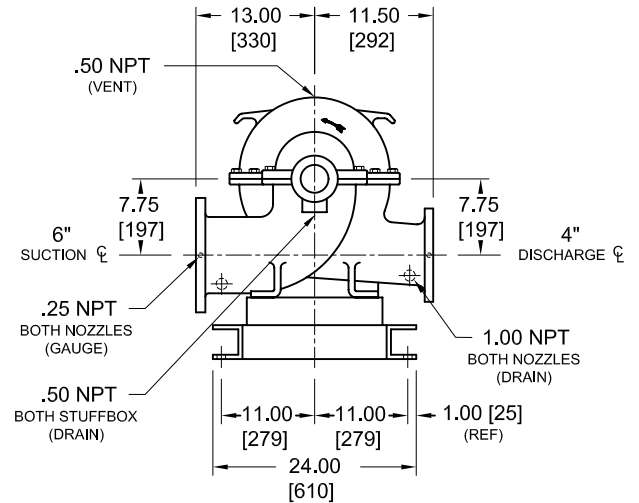


**(H)6x4x12F – 8100 SERIES**



MOTOR FRAME	C	MO	HB	HF	HF <sub>1</sub>	HD	HG	HR
254	23.30 [592]	7.10 [181]	50.00 [1270]	38.00 [966]	19.00 [483]	19.25 [489]	4.00 [102]	3.25 [83]
256	25.00 [635]	7.80 [199]	58.00 [1474]	46.00 [1169]	23.00 [585]	19.25 [489]	4.00 [102]	3.25 [83]
284	24.80 [630]	8.60 [219]	58.00 [1474]	46.00 [1169]	23.00 [585]	19.25 [489]	4.00 [102]	3.25 [83]
286	26.30 [669]	9.20 [234]	58.00 [1474]	46.00 [1169]	23.00 [585]	19.25 [489]	4.00 [102]	3.25 [83]
324	28.20 [717]	10.40 [265]	68.00 [1728]	56.00 [1423]	28.00 [712]	21.25 [540]	6.00 [153]	4.625 [117]
326	29.70 [755]	11.80 [300]	68.00 [1728]	56.00 [1423]	28.00 [712]	21.25 [540]	6.00 [153]	4.625 [117]
364	30.00 [762]	11.80 [300]	68.00 [1728]	56.00 [1423]	28.00 [712]	21.25 [540]	6.00 [153]	4.625 [117]
365	31.00 [788]	11.80 [300]	68.00 [1728]	56.00 [1423]	28.00 [712]	21.25 [540]	6.00 [153]	4.625 [117]
404	36.40 [925]	11.80 [300]	76.00 [1931]	64.00 [1626]	32.00 [813]	21.25 [540]	6.00 [153]	4.625 [117]
405	37.90 [963]	11.80 [300]	76.00 [1931]	64.00 [1626]	32.00 [813]	21.25 [540]	6.00 [153]	4.625 [117]
444	42.20 [1072]	11.80 [300]	76.00 [1931]	64.00 [1626]	32.00 [813]	21.25 [540]	6.00 [153]	4.625 [117]
445	44.20 [1123]	11.80 [300]	76.00 [1931]	64.00 [1626]	32.00 [813]	21.25 [540]	6.00 [153]	4.625 [117]

**CW ROTATION VIEWED FROM COUPLING END**



**CCW ROTATION VIEWED FROM COUPLING END**

**NOTES:**

- ALL DIMENSIONS ARE INCHES [mm].
- SUCTION AND DISCHARGE CONNECTIONS ARE DRILLED PER 125# ANSI B16.1. PUMPS WITH "H" PREFIX HAVE DISCHARGE CONNECTION DRILLED PER 250# ANSI B16.1. FLANGE HOLES STRADDLE CENTERLINE.
- BASE PLATE SETTING (BEFORE PIPING), GROUTING PROCEDURES, AND FINAL ALIGNMENT MUST BE IN ACCORDANCE WITH A-C FIRE PUMPS SYSTEMS RECOMMENDED PROCEDURES OUTLINED IN THE INSTRUCTION MANUAL ASSOCIATED WITH THIS PUMP TYPE.
- MOTOR DIMENSIONS ARE APPROXIMATE FOR A GIVEN NEMA FRAME. CONSULT FACTORY IF SPACE IS LIMITED.
- BOTH SUCTION AND DISCHARGE PIPES MUST BE SUPPORTED INDEPENDENTLY NEAR THE PUMP TO REDUCE STRAIN ON THE PUMP CASING. ALSO EXPANSION JOINTS, IF USED, MUST NOT EXERT FORCE ON CASING.
- COUPLING GUARD MEETS ANSI/OSHA REQUIREMENTS.
- CONSULT FACTORY FOR BASE MOUNTED CONTROLLER.

NOT FOR CONSTRUCTION, INSTALLATION OR APPLICATION PURPOSES UNLESS CERTIFIED									
CERTIFIED FOR:							APPROVAL		
							UL	FM	ULC
							<input type="checkbox"/>	<input type="checkbox"/>	<input type="checkbox"/>
CUSTOMER ORDER NO.:				TAG NO.			FLANGES		
PUMP DATA	SIZE	MODEL	CURVE NO.	GPM	HEAD	ROTATION	SUCTION	DISCH.	
MOTOR DATA	HP	RPM	VOLTS	PHASE	HERTZ	FRAME SIZE	ENCLOSURE		
SHOP ORDER:				CERTIFIED BY:			DATE:		