

Folder: **HSC3\_150**

File Name: **HSC3\_150\_4610XL.pdf**

**B-538.5**

To save this file, simply copy the file from the compact disc to your hard drive.

JOB	B & G REPRESENTATIVE	
UNIT TAG NO.	ORDER NO.	DATE
ENGINEER	SUBMITTED BY	DATE
CONTRACTOR	APPROVED BY	DATE

## 4x6x10XL Series HSC<sup>3</sup> Centrifugal Pump

BASE MOUNTED-DOUBLE SUCTION 4" DISCHARGE-6" SUCTION

### SPECIFICATIONS:

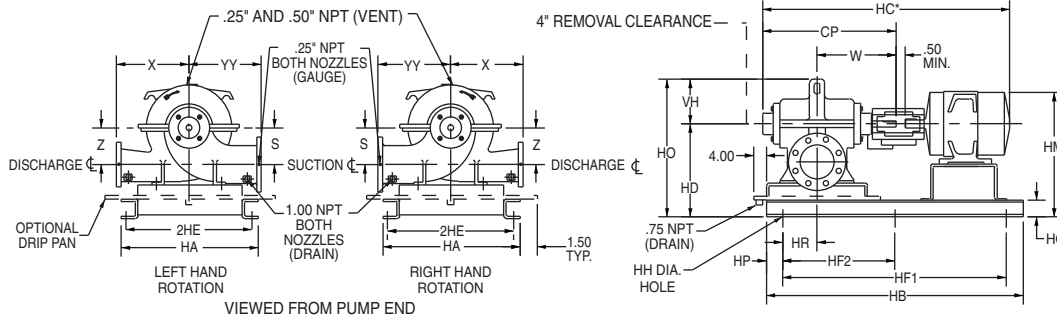
\_\_\_\_\_ GPM \_\_\_\_\_ FT. \_\_\_\_\_ RPM  
 MOTOR DATA: \_\_\_\_\_ HP \_\_\_\_\_ VOLTS  
 \_\_\_\_\_ ENCL. \_\_\_\_\_ HZ. \_\_\_\_\_ Ø  
 SPEC. CONSTR.: \_\_\_\_\_  
 APPROXIMATE TOTAL WEIGHT \_\_\_\_\_ LBS.

### MATERIALS OF CONSTRUCTION:

- CAST IRON BRONZE FITTED
- INTERNALLY SELF FLUSHING MECH. SEALS
- FABRICATED HEAVY DUTY BASEPLATE
- ANSI/OSHA COUPLING GUARD
- FLEXIBLE COUPLING
- SPACER COUPLING (OPTIONAL)
- GALVANIZED DRIP PAN (OPTIONAL)

### TYPE OF SEAL:

- STANDARD SEAL CONSTRUCTION, 175 PSIG (12 BAR) WORKING PRESSURE, 125# ANSI FLANGES
- STANDARD:** CRANE TYPE 21, BUNA/CARBON-CERAMIC, 75 PSIG (5 BAR) MAXIMUM SUCTION PRESSURE, FROM -20 TO 225°F (-29 TO 107°C).
  - OPTIONAL:** CRANE TYPE 21, EPT/CARBON-CERAMIC, 75 PSIG (5 BAR) MAXIMUM SUCTION PRESSURE, FROM -20 TO 250°F (-29 TO 121°C).
  - OPTIONAL:** CRANE TYPE 21, EPT/CARBON-TUNGSTEN CARBIDE, 75 PSIG (5 BAR) MAXIMUM SUCTION PRESSURE, FROM -20 TO 250°F (-29 TO 121°C).



DIMENSIONS - INCHES (MM)																			
MOTOR FRAME	HA	HB	2HE	HF1	HF2	HG	HH	HP	HR	CP	HC*	HD	HM*	HO	S & Z	VH	W	X	YY
182				36.00 (914)	18.00 (457)						37 (940)		24 (610)						
184		48.00 (1219)		36.00 (914)	18.00 (457)						38 (965)		25 (635)						
213											41 (1041)		26 (660)						
215											43 (1092)		27 (686)						
254											45 (1143)		28 (711)						
256											47 (1194)		29 (737)						
284						4.00 (102)					48 (1219)	18.25 (464)	30 (762)	26.12 (664)					
286		58.00 (1473)		46.00 (1168)	23.00 (584)						50 (1270)		31 (788)		6.50 (165)	7.88 (200)	13.50 (343)	11.50 (292)	13.00 (330)
324	24.00 (610)		22.00 (559)				1.00 (25)	6.00 (152)	4.62 (117)	22.81 (579)	51 (1295)		32 (813)						
326											52 (1321)		33 (839)						
364											53 (1346)		34 (865)						
365											54 (1372)		35 (891)						
404		64.00 (1626)		52.00 (1321)	26.00 (660)						60 (1524)		36 (914)						
405											61 (1549)		37 (939)						
444		76.00 (1930)		64.00 (1626)	32.00 (813)	6.00 (152)					66 (1676)	20.25 (514)	38 (965)	28.12 (714)					
445											68 (1727)		39 (991)						

DIMENSIONS ARE SUBJECT TO CHANGE. NOT TO BE USED FOR CONSTRUCTION PURPOSES UNLESS CERTIFIED.  
 \* MOTOR DIMENSIONS ARE APPROXIMATE FOR "T" FRAMES, VARY BY MANUFACTURER AND MOTOR TYPE.  
 SEPTEMBER, 1999