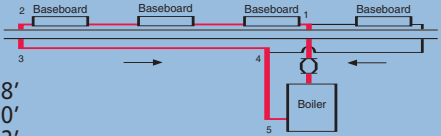


# EXAMPLES OF CALCULATING THE LONGEST LOOP

The longest loop in this system is 74'. It starts at the boiler, goes through 3 sections of baseboard, then goes back to the boiler.

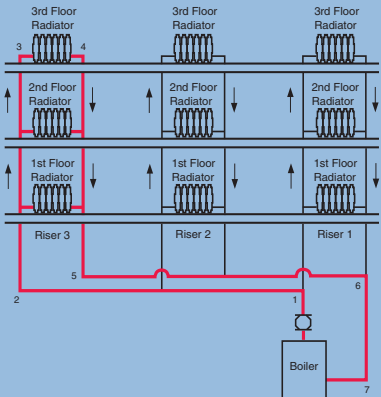
If the pump has enough head to circulate the water through the loop with 3 sections of baseboard, it can also handle the shorter loop with the single section.



|                  |     |
|------------------|-----|
| (Boiler to 1)    | 8'  |
| (1 to 2)         | 30' |
| (2 to 3)         | 2'  |
| (3 to 4)         | 25' |
| (4 to 5)         | 7'  |
| + (5 to Boiler)  | 2'  |
| Longest loop 74' |     |

The longest loop in this system is 160'. It starts at the boiler, goes through the 3rd floor radiator at the top of riser 3, and back to the boiler.

If the pump has enough head to circulate the water through the end of riser 3, then it can also handle the shorter loops through risers 1 and 2.



|                   |     |
|-------------------|-----|
| (Boiler to 1)     | 2'  |
| (1 to 2)          | 35' |
| (2 to 3)          | 30' |
| (3 to 4)          | 10' |
| (4 to 5)          | 30' |
| (5 to 6)          | 35' |
| (6 to 7)          | 8'  |
| + (7 to Boiler)   | 10' |
| Longest loop 160' |     |