



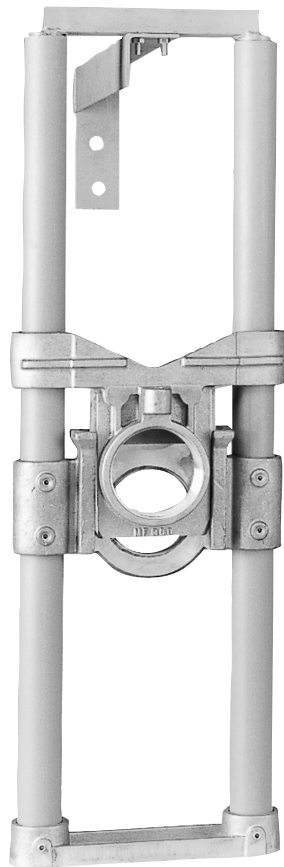
ITT

Wastewater

CentriPro GUIDE RAIL SYSTEMS

Effluent and Sewage

Unassembled Pump Disconnect Rail System Kit



FEATURES

1¼, 1½ and 2" bronze disconnect and bottom brackets are non-sparking and corrosion resistant. Top bracket is vinyl-coated steel. The 60° cut-out allows removable half of disconnect to be removed from the guide rails without removing the top bracket. System will accept ¾" PVC, stainless steel or galvanized steel guide rails (not supplied by CentriPro).

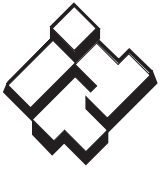
3" Bronze disconnect is built to satisfy the greater demands of 3" pumps. System accepts 1¼" PVC, stainless steel or galvanized steel guide rails (not supplied by CentriPro).



CentriPro is a brand of ITT Water Technology, Inc. -
a subsidiary of ITT Industries, Inc.

www.centripro.com

Engineered for life



ITT

CENTRIPRO Wastewater

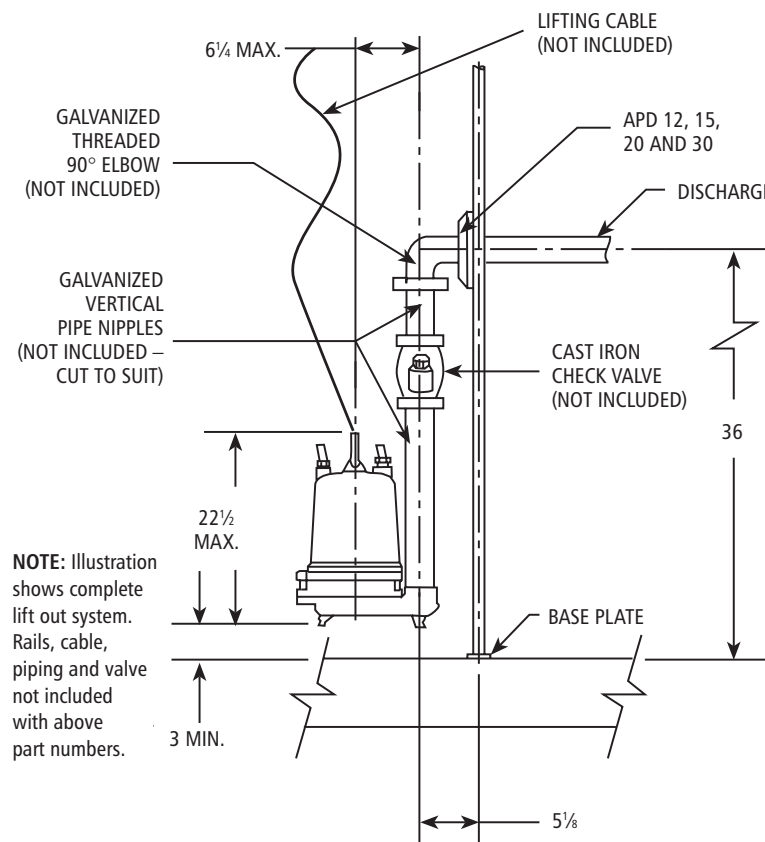


Pump Discharge Size	Part No.
1 1/4"	APD12
1 1/2"	APD15
2"	APD20

Pump Discharge Size	Part No.
3"	APD30

TEFLON O-RINGS FOR QUICK DISCONNECT SYSTEMS

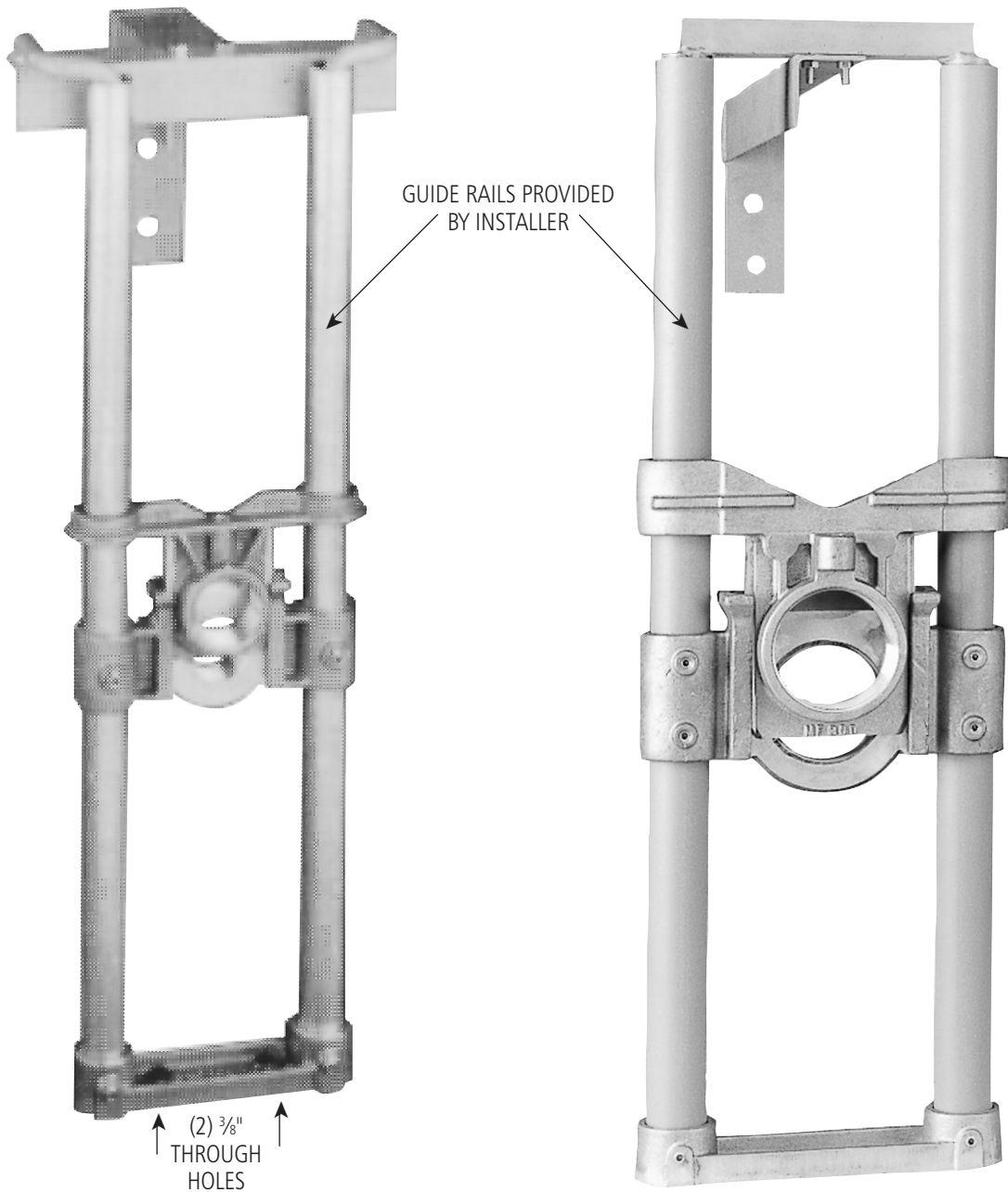
APD and AF series	
Size	Order No.
1 1/4"	AR32T
1 1/2"	AR35T
2"	AR33T
3"	AR36T





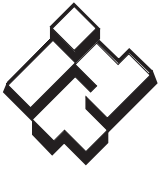
ITT

CENTRIPRO Wastewater



1 1/4" to 2" Bracket

3" Bracket



ITT

Wastewater



CentriPro and the ITT Engineered Blocks Symbol are registered trademarks and tradenames of ITT Industries Inc.

SPECIFICATIONS ARE SUBJECT TO CHANGE WITHOUT NOTICE.

BCPUAGR R1 February, 2006
© 2006 ITT Water Technology, Inc.

Engineered for life