

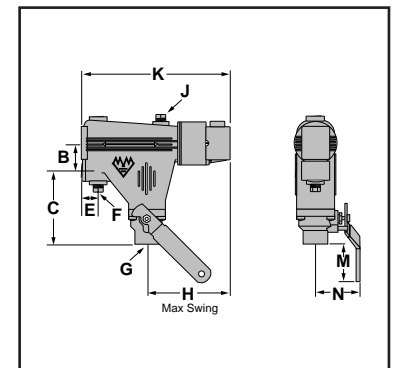
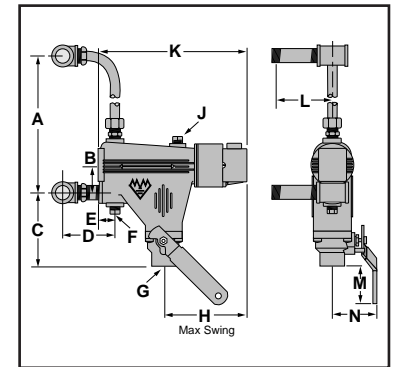
# Low Water Cut-Offs – Mechanical For Steam Boilers

## Series 67



### Low Water Cut-Offs

- For residential and commercial applications
- For boilers of any steaming capacity
- Quick hook-up fittings provided
- Lever-operated, full port ball valve for easy blow down
- Adjustable BX outlet for easy installation
- Dual precision switches for dependable operation of the low water cut-off and alarm or electric water feeder
- Optional features
  - Low voltage switches for self-generating millivolt circuits
  - Manual reset switch
- Large float chamber
- Maximum steam pressure 20 psi (1.4 kg/cm<sup>2</sup>)



### Electrical Ratings

Voltage	Motor Switch Rating (Amperes)		Pilot Duty
	Full Load	Locked Rotor	
120 VAC	7.4	44.4	125 VA at 120 or 240 VAC
240 VAC	3.7	22.2	

### Dimensions, in. (mm)

A		B	C	D	E	F	G	H	J	K	L	M	N
min.	max.					NPT	NPT		NPT				
6½ (165)	14 (356)	1¾ (45)	4¾ (121)	3¾ (86)	1⅛ (29)	⅜	¼	5½ (140)	¼	9 <sup>23</sup> / <sub>32</sub> (247)	3 <sup>9</sup> / <sub>16</sub> (90)	2½ (64)	2 <sup>13</sup> / <sub>16</sub> (71)

### Ordering Information

Model Number	Part Number	Description	Weight lbs. (kg)
67	149400	Low water cut-off	10 (4.5)
67-G	149600	67 for millivolt service	10 (4.5)
67-LQHU	149500	67 without quick hook-up fittings	8 (3.6)
67-M	149700	67 w/manual reset	10 (4.5)

BOILER CONTROLS