



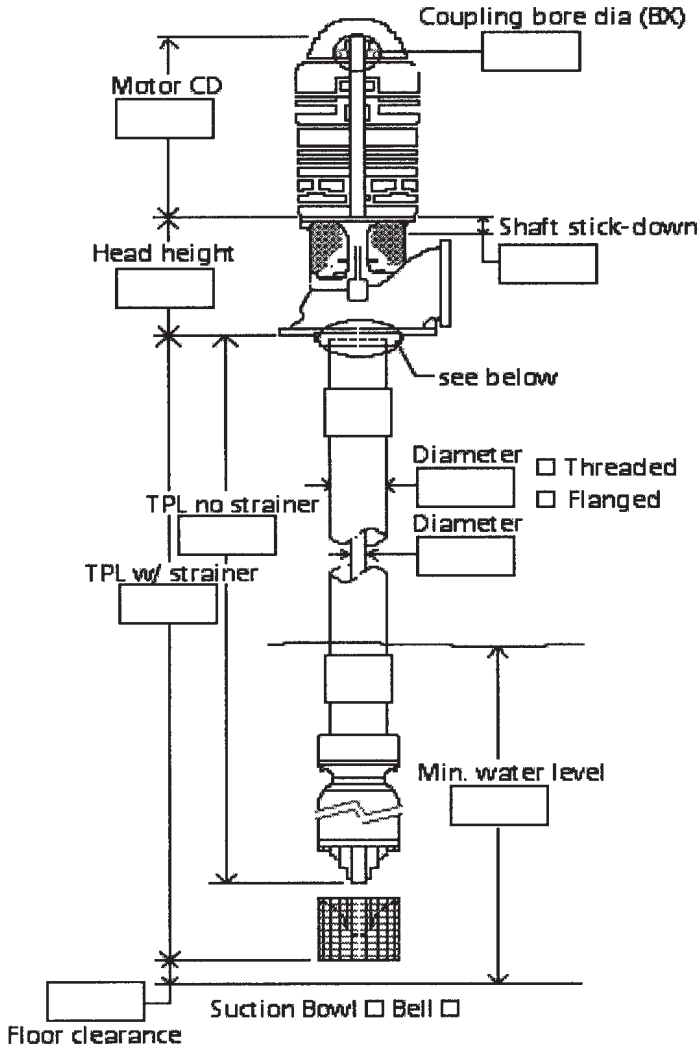
**Bell & Gossett**  
a xylem brand

**ORDER FORM**

BGDROF R1

# Retrofit Order Form

**PRODUCT LUBRICATED - THREADED OR FLANGED COLUMN - HOLLOW SHAFT MOTOR**



Company: \_\_\_\_\_

Contact: \_\_\_\_\_

Phone: \_\_\_\_\_

Fax: \_\_\_\_\_

No. of Units \_\_\_\_\_

Orig. Pump Mfg. \_\_\_\_\_

Pump Model \_\_\_\_\_ Stg.'s \_\_\_\_\_

Motor HP \_\_\_\_\_ RPM \_\_\_\_\_

**HYDRAULICS**

GPM \_\_\_\_\_ TDH \_\_\_\_\_

Sp. Gr. \_\_\_\_\_ Temp. \_\_\_\_\_

Liquid \_\_\_\_\_ NPSHa \_\_\_\_\_

Orig. Bowl Eff. \_\_\_\_\_

A retrofit is defined as the replacement of everything below the discharge head.

For enclosed lineshaft retrofit applications, please contact factory.

Comments:

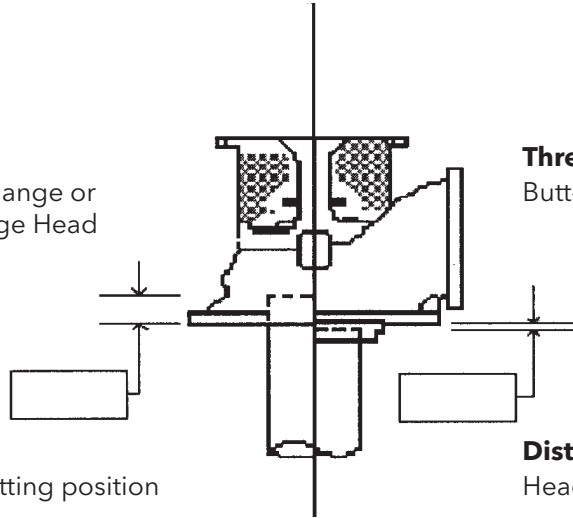
# Retrofit Order Form

## Threaded Connection

Through-Style Column Flange or  
Direct Thread to Discharge Head

## Threaded Connection

Butt-Style Column Flange



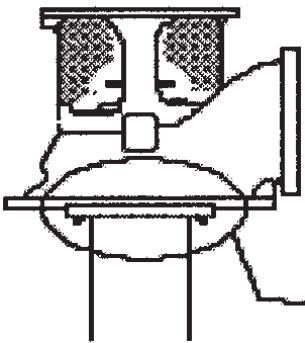
## Distance

Head base to column butting position

## Distance

Head base to column butting position

## Flanged Connection - Critical Mounting Flange Dimensions



\_\_\_ holes, \_\_\_ diameter, on a \_\_\_ diameter B.C.

Flange OD = \_\_\_\_\_

Register OD = \_\_\_\_\_

Register Ht = \_\_\_\_\_

**Xylem Inc.**

[www.bellgossett.com](http://www.bellgossett.com)

Bell & Gossett is a trademark of Xylem Inc. or one of its subsidiaries.

© 2017 Xylem Inc. BGDROF R1 July 2017



**Bell & Gossett**

a xylem brand