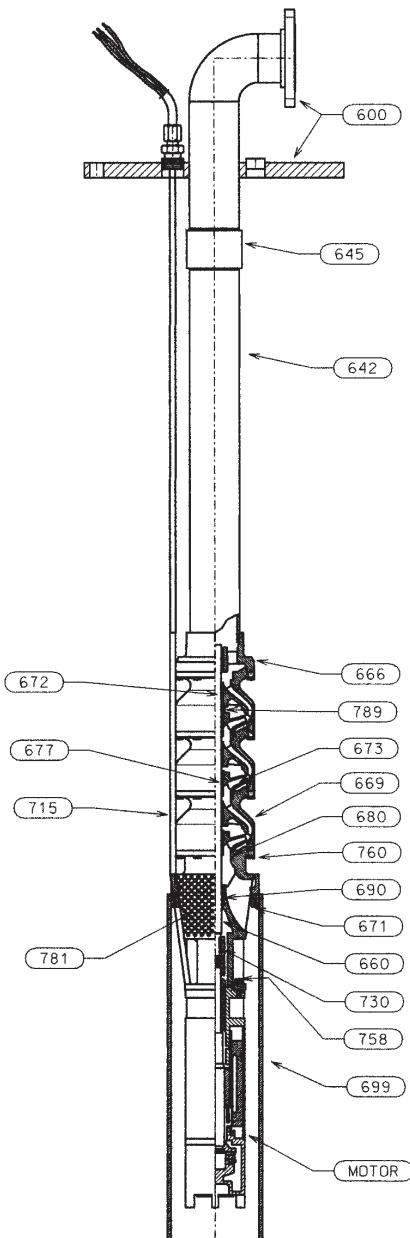




Sectional Type "VIS-WF" 200.H.16

SUBMERSIBLE, WELL-HEAD, THREADED COLUMN



Item	Description	GPI	Material Description	ASTM
600	Well Head	9645	Carbon Steel	A53
642	Column Pipe	6501	Black Pipe	A53
645	Column Coupling	6501	Black Pipe	A53
660	Shaft	2227	SST 416	A582 S41600
666	Bowl Discharge	1003	Iron	A48 CL30
669	Bowl Intermediate	6911	Iron	A48 CL30
671	Subadapter	1018	Duct Iron	A536 65-45-12
672	Bearing Intermediate Bowl	1109	Bronze	B584 C90300
673	Impeller	1102	Bronze	B584 C87600
677	Impeller Collet	2242	Steel	A108 G10180
690	Bearing Subadapter	1109	Bronze	B584 C90300
699	Shroud	6560	PVC	D1785
715	Guard Cable	3215	SST 304	A240 S30400
730	Coupling Motor	2218	SST 416	A582 S41600
758	Capscrews	2228	SST 304	A276 S30400
760	Capscrews Grade 8	2298	Steel	SAE J429 GR8
781	Screen Suction	3215	SST 304	A240 S30400
789	Washer Upthrust	6266	HDPE	Polyethylene

Quote No.:	_____
Customer:	_____
Customer P/O:	_____
Project:	_____
Item:	_____
Quantity:	_____
Pump Model:	_____
Stages:	_____
Date:	_____
By:	_____

Xylem |'zīləm|

- 1) The tissue in plants that brings water upward from the roots;
- 2) a leading global water technology company.

We're a global team unified in a common purpose: creating advanced technology solutions to the world's water challenges. Developing new technologies that will improve the way water is used, conserved, and re-used in the future is central to our work. Our products and services move, treat, analyze, monitor and return water to the environment, in public utility, industrial, residential and commercial building services, and agricultural settings. With its October 2016 acquisition of Sensus, Xylem added smart metering, network technologies and advanced data analytics for water, gas and electric utilities to its portfolio of solutions. In more than 150 countries, we have strong, long-standing relationships with customers who know us for our powerful combination of leading product brands and applications expertise with a strong focus on developing comprehensive, sustainable solutions.

For more information on how Xylem can help you, go to www.xylem.com

Xylem Inc.
www.bellgossett.com

Bell & Gossett is a trademark of Xylem Inc. or one of its subsidiaries.
© 2017 Xylem Inc. BGD200H16 R1 July 2017



Bell & Gossett

a xylem brand