

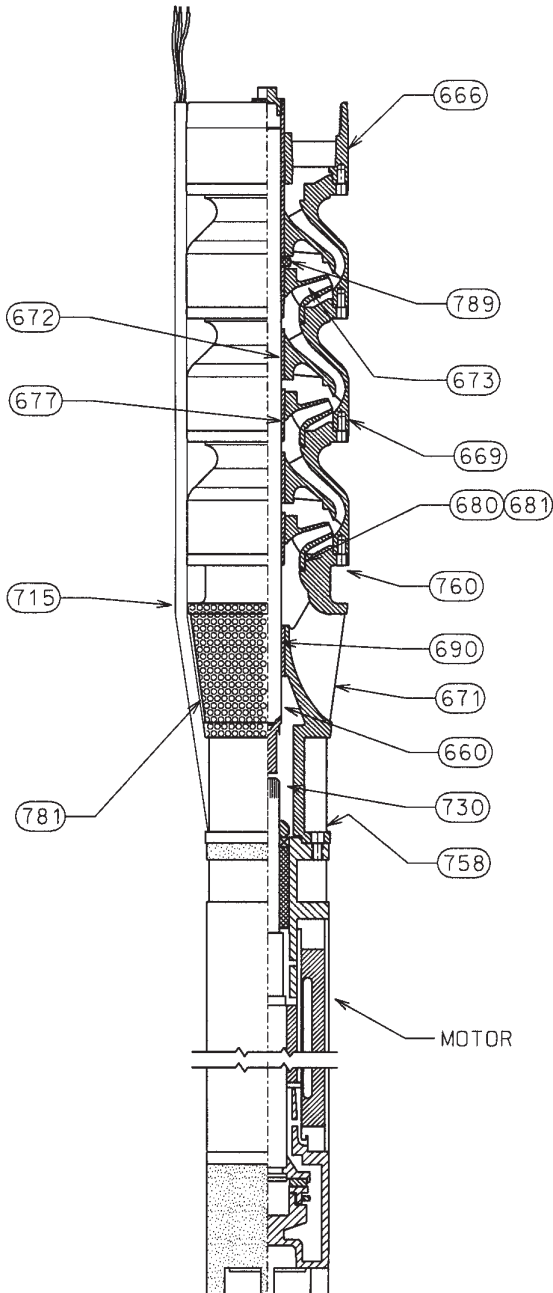


**Bell & Gossett**  
a xylem brand

**DIMENSIONAL DRAWINGS**

BGD200H14 R1

# Section View Submersible 200.H.14

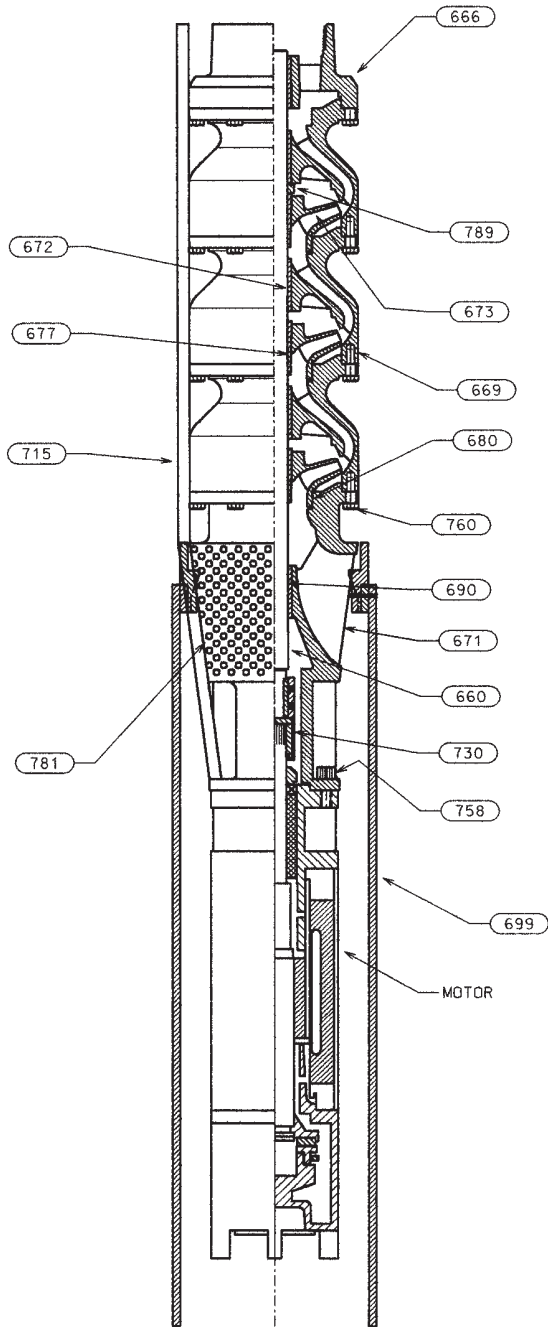


Item	Description	GPI	Material Description	ASTM
660	Shaft	2227	SST 416	A582 S41600
666	Bowl Discharge	1003	Iron	A48 CL30
669	Bowl Intermediate	6911	Glassed	A48 CL30
671	Subadapter	1018	Duct Iron	A536 65-45-12
672	Bearing Intermediate Bowl	1109	Bronze	B584 C90300
673	Impeller	1102	Bronze	B584 C87600
677	Taperlock	2242	Steel	A108 G10180
690	Bearing Subadapter	1109	Bronze	B584 C90300
715	Guard Cable	3215	SST 304	A240 S30400
730	Coupling Motor	2218	SST 416	A582 S41600
758	Capscrews	2298	SST 304	A276 S30400
760	Capscrews Grade 8	2298	Steel	SAE J429 GR8
781	Screen Suction	3215	SST 304	A240 S30400
789	Washer Upthrust	6266	HDPE	Polyethylene

Customer:	_____
P/O #:	_____
Item #:	_____
Service:	_____
Pump Size:	_____ Stages: _____
Goulds SO #:	_____

# Sectional Type "VIS-" 200.H.15

## SUBMERSIBLE - BOWL ASSEMBLY ONLY



Item	Description	GPI	Material Description	ASTM
660	Shaft	2227	SST 416	A582 S41600
666	Bowl Discharge	1003	Iron	A48 CL30
669	Bowl Intermediate	6911	Iron	A48 CL30
671	Subadapter	1018	Duct Iron	A536 65-45-12
672	Bearing Intermediate Bowl	1109	Bronze	B584 C90300
673	Impeller	1102	Bronze	B584 C87600
677	Impeller Collet	2242	Steel	A108 G10180
680	Wear Rings (optional)	1117	Bronze	B148 C95200
690	Bearing Subadapter	1109	Bronze	B584 C90300
699	Shroud	6560	PVC	D1785
715	Guard Cable	3215	SST 304	A240 S30400
730	Coupling Motor	2218	SST 416	A582 S41600
758	Capscrews	2298	SST 304	A276 S30400
760	Capscrews Grade 8	2298	Steel	SAE J429 GR8
781	Screen Suction	3215	SST 304	A240 S30400
789	Washer Uphrust	6266	HDPE	Polyethylene

Quote No.:	_____
Customer:	_____
Customer P/O:	_____
Project:	_____
Item:	_____
Quantity:	_____
Pump Model:	_____
Stages:	_____
Date:	_____
By:	_____

**Xylem Inc.**  
www.bellgossett.com

Bell & Gossett is a trademark of Xylem Inc. or one of its subsidiaries.  
© 2017 Xylem Inc. BGD200H14 R1 July 2017



**Bell & Gossett**  
a xylem brand