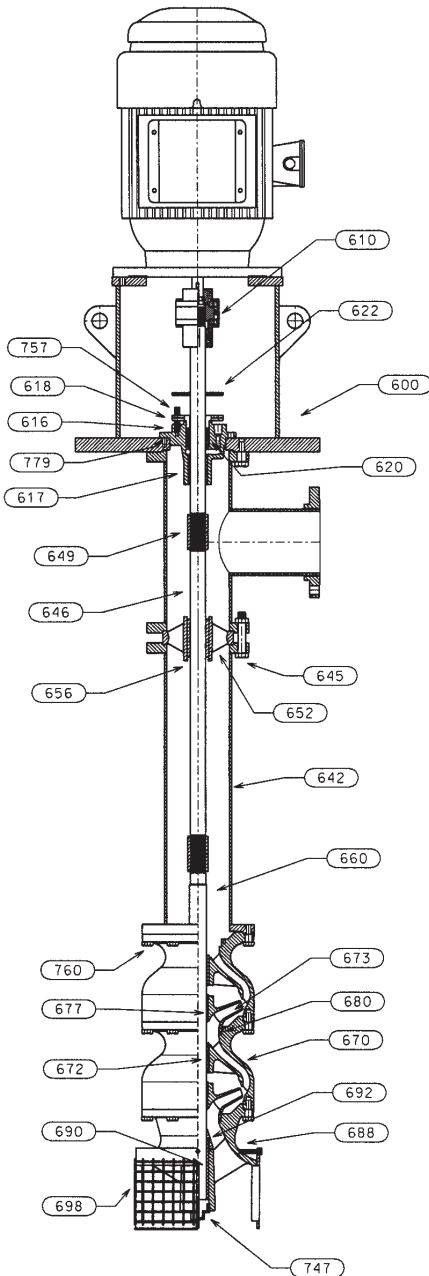




Sectional Type "VIT-FUFM" 200.H.13

LINESHAFT, W/L, "U" FABRICATED HEAD, FLANGED COLUMN, PACKING, VSS - TYPE A



DISCHARGE HEAD ASSEMBLY

Item	Description	GPI	Material Description	ASTM
610	Motor Coupling Assembly	5933	Carbon Steel	A108 G10180
622	Slinger	5121	Rubber	3CA715A25 B14
600	Discharge Head	6501	Steel	A120 GRB
617	Stuffing Box Bearing	1109	Bronze	B584 C90300
616	Stuffing Box	1003	Cast Iron	A48 CL30
779	Stuffing Box Gasket	5136	Acrylic Gasket	Garlock Blue Guard
618	Split Gland	1205	SST 304	A744 S30400
757	Gland Adjusting Screw	2229	SST 316	A276 S31600
620	Packing	5026	Acrylic Yarn	Packmaster 2

COLUMN AND LINESHAFT ASSEMBLY

642	Column Pipe (FLG)	6501	Black Pipe	A53
645	Column Bolting	2298	Grade 8	SAE J429 GR8
646	Lineshaft	2227	SST 416	A582 S41600
649	Lineshaft Coupling	2265	SST 416	A582 S41600
652	Bearing Retainer	1003	Cast Iron	A48 CL30
656	Lineshaft Bearing	1109	Bronze	B584 C90300

BOWL ASSEMBLY

660	Bowl Shaft	2227	SST 416	A582 S41600
670	Intermediate Bowl	6911	Coated Cast Iron	A48 CL30
672	Inter Bowl Bearing	1109	Bronze	B584 C90300
673	Impeller	1102	Bronze	B584 C87600
677	Impeller Taper Lock	2242	Steel 1018	A108 G10180
680	Wear Rings (optional)	1117	Bronze	B148 C95200
760	Hex Bolt	2298	Grade 8	SAE J429 GR8
692	Sand Collar	1109	Bronze	B584 C90300
688	Suction Bowl / Bell	1003	Cast Iron	A48 CL30
690	Suction Bearing	1109	Bronze	B584 C90300
698	Suction Strainer	6952	Galvanized Steel	A108 G10180
747	Plug	1046	Mal Iron	A197

Quote No.:	_____
Customer:	_____
Customer P/O:	_____
Project:	_____
Item:	_____
Pump Model:	_____
Date:	_____
Quantity:	_____
Stages:	_____
By:	_____

Xylem |'zīləm|

- 1) The tissue in plants that brings water upward from the roots;
- 2) a leading global water technology company.

We're a global team unified in a common purpose: creating advanced technology solutions to the world's water challenges. Developing new technologies that will improve the way water is used, conserved, and re-used in the future is central to our work. Our products and services move, treat, analyze, monitor and return water to the environment, in public utility, industrial, residential and commercial building services, and agricultural settings. With its October 2016 acquisition of Sensus, Xylem added smart metering, network technologies and advanced data analytics for water, gas and electric utilities to its portfolio of solutions. In more than 150 countries, we have strong, long-standing relationships with customers who know us for our powerful combination of leading product brands and applications expertise with a strong focus on developing comprehensive, sustainable solutions.

For more information on how Xylem can help you, go to www.xylem.com

Xylem Inc.
www.bellgossett.com

Bell & Gossett is a trademark of Xylem Inc. or one of its subsidiaries.
© 2017 Xylem Inc. BGD200H13 July 2017



Bell & Gossett
a xylem brand