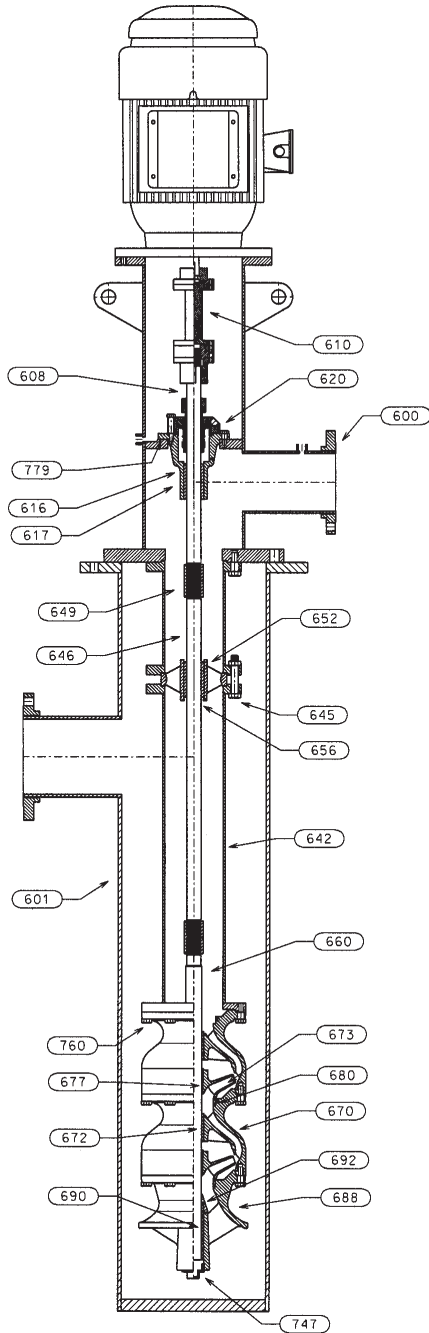


Sectional Type "VIT-FLFM" 200.H.10

LINESHAFT, W/L, "L" FABRICATED HEAD, FLANGED COLUMN, SEAL, VSS, AS



DISCHARGE HEAD ASSEMBLY

Item	Description	GPI	Material Description	ASTM
600	Discharge Head	6501	Steel	A53
608	Headshaft	2227	SST 416	A582 S41600
610	Coupling Assembly	5932	Brass	B16 C36000
616	Seal Housing	1003	Cast Iron	A48 CL30
617	Seal Housing Bearing	1109	Bronze	B584 C90300
620	Mechanical Seal		Vendor Standard	
779	Seal Housing Gasket	5136	Acrylic Gasket	Garlock Blue Guard

COLUMN AND LINESHAFT ASSEMBLY

601	Barrel	6501	Black Pipe	A53
642	Column Pipe (FLG)	6501	Black Pipe	A53
645	Column Bolting	2298	Grade 8	SAE J429 GR8
646	Lineshaft	2227	SST 416	A582 S41600
649	Lineshaft Coupling	2265	SST 416	A582 S41600
652	Bearing Retainer	1003	Cast Iron	A48 CL30
656	Lineshaft Bearing	1109	Bronze	B584 C90300

BOWL ASSEMBLY

660	Bowl Shaft	2227	SST 416	A582 S41600
670	Intermediate Bowl	6911	Coated Cast Iron	A48 CL30
672	Inter Bowl Bearing	1109	Bronze	B584 C90300
673	Impeller	1102	Bronze	B584 C87600
677	Impeller Taper Lock	2242	Steel 1018	A108 G10180
680	Wear Rings (optional)	1117	Bronze	B148 C95200
688	Suction Bowl / Bell	1003	Cast Iron	A48 CL30
690	Suction Bearing	1109	Bronze	B584 C90300
692	Sand Collar	1109	Bronze	B584 C90300
747	Plug	1046	Mal Iron	A197
760	Hex Bolt	2298	Grade 8	SAE J429 GR8

Quote No.:	_____
Customer:	_____
Customer P/O:	_____
Project:	_____
Item:	_____
Quantity:	_____
Pump Model:	_____
Stages:	_____
Date:	_____
By:	_____

Xylem Inc.
www.bellgossett.com

Bell & Gossett is a trademark of Xylem Inc. or one of its subsidiaries.
© 2017 Xylem Inc. BGD200H09 R1 July 2017



Bell & Gossett

a xylem brand