



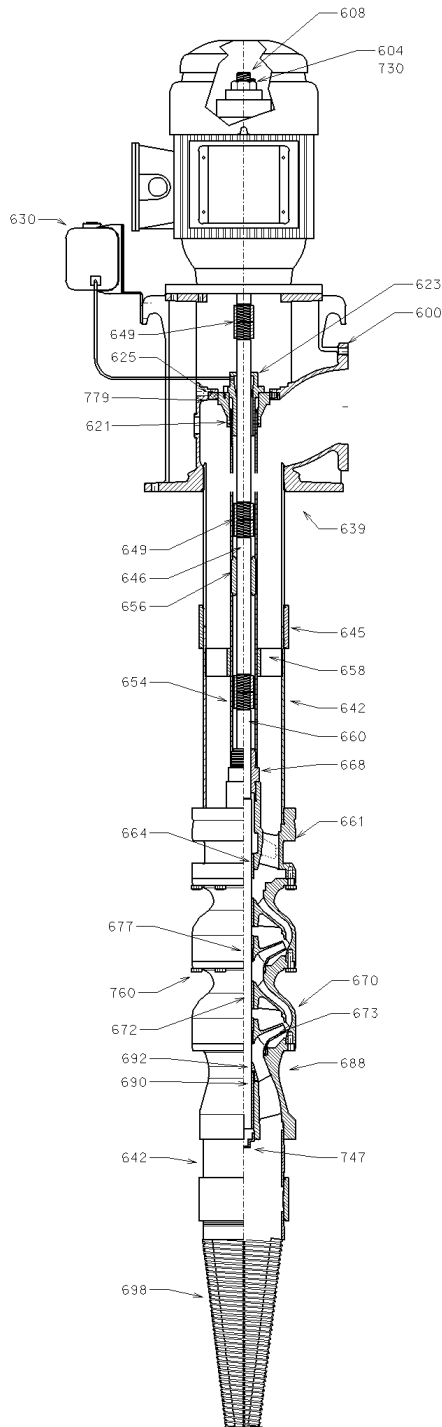
Bell & Gossett
a xylem brand

DIMENSIONAL DRAWINGS

BGD200H03A

Sectional Type "DWT-DITM" 200.H.03A

LINESHAFT, O/L, "DI" DUCTILE IRON HEAD, THREADED COLUMN



DISCHARGE HEAD ASSEMBLY

Item	Description	GPI	Material Description	ASTM
608	Headshaft	2227	SST 416	A582 S41600
604	Adjusting Nut	2130	Brass	B16 C36000
730	Gib Key	2242	Steel 1018	A108 G10180
600	Discharge Head	1018	Ductile Iron	A536 Grade 65-45-12
630	Oil Reservoir	1425	Aluminum	SAE329 Alloy 319
623	Tension Nut	1187	Bronze	B584 C84400
625	Tension Plate	1003	Cast Iron	A48 CL30
779	Tension Plate Gasket	5136	Acrylic Gasket	Garlock Blue Guard
621	O-ring	5302	Nitrile	D2000 2BG715B14

COLUMN AND LINESHAFT ASSEMBLY

639	Column Lock Ring	1003	Cast Iron	A48 CL30
631	Column Pipe Nipple	6501	Black Pipe	A53
645	Column Coupling	6501	Black Pipe	A53
642	Column Pipe	6501	Black Pipe	A53
629	Tube Nipple	6501	Black Pipe	A53
654	Oil Tube	6521	Black Pipe	A53
658	Tube Retainer	5121	Rubber	3CA715A25 B14
646	Lineshaft	2205	Steel C1045	A108 G10180
656	Lineshaft Bearing	1109	Bronze	B584 C90300
649	Lineshaft Coupling	2205	Steel C1045	A108 G10180

BOWL ASSEMBLY

660	Bowl Shaft	2227	SST 416	A582 S41600
668	Tube Adapter Bearing	1109	Bronze	B584 C90300
665	Oil Seal			
659	Column Adapter	1003	Cast Iron	A48 CL30
661	Discharge Bowl	1003	Cast Iron	A48 CL30
664	Discharge Bearing	1109	Bronze	B584 C90300
670	Intermediate Bowl	6911	Coated Cast Iron	A48 CL30
672	Inter Bowl Bearing	1109	Bronze	B584 C90300
673	Impeller	1102	Bronze	B584 C87500
677	Impeller Taper Lock	2242	Steel 1018	A108 G10180
680	Wear Rings (optional)	1117	Bronze	B148 C95200
760	Hex Bolt	2298	Grade 8	SAE J429 GR8
692	Sand Collar	1109	Bronze	B584 C90300
688	Suction Bowl / Bell	1003	Cast Iron	A48 CL30
690	Suction Bearing	1109	Bronze	B584 C90300
698	Suction Strainer	6952	Galvanized Steel	A108 G10180
747	Plug	1046	Mal Iron	A197

Quote No.:	_____
Customer:	_____
Customer P/O:	_____
Project:	_____
Item:	_____
Quantity:	_____
Pump Model:	_____
Stages:	_____
Date:	_____
By:	_____

Xylem |'zīləm|

- 1) The tissue in plants that brings water upward from the roots;
- 2) a leading global water technology company.

We're a global team unified in a common purpose: creating advanced technology solutions to the world's water challenges. Developing new technologies that will improve the way water is used, conserved, and re-used in the future is central to our work. Our products and services move, treat, analyze, monitor and return water to the environment, in public utility, industrial, residential and commercial building services, and agricultural settings. With its October 2016 acquisition of Sensus, Xylem added smart metering, network technologies and advanced data analytics for water, gas and electric utilities to its portfolio of solutions. In more than 150 countries, we have strong, long-standing relationships with customers who know us for our powerful combination of leading product brands and applications expertise with a strong focus on developing comprehensive, sustainable solutions.

For more information on how Xylem can help you, go to www.xylem.com

Xylem Inc.
www.bellgossett.com

Bell & Gossett is a trademark of Xylem Inc. or one of its subsidiaries.
© 2017 Xylem Inc. BGD200H03A July 2017



Bell & Gossett
a xylem brand