



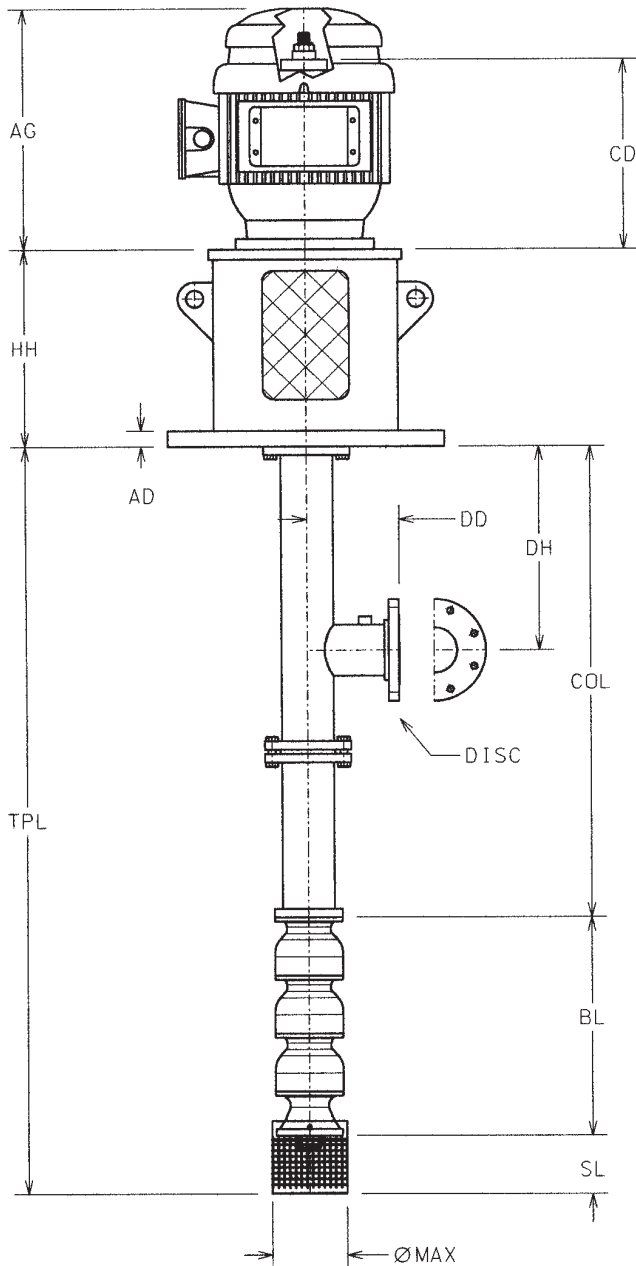
**Bell & Gossett**  
a xylem brand

**DIMENSIONAL DRAWINGS**

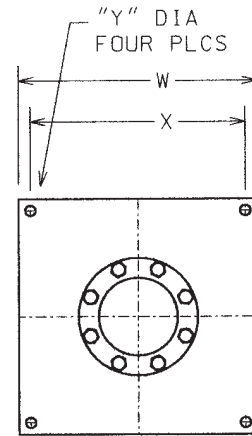
BGD200G11 R1

# Outline Type "VIT-FUFM" 200.G.11

**U/G DISCHARGE, FLANGED COLUMN**



- |            |             |
|------------|-------------|
| AD: _____  | DISC: _____ |
| AG: _____  | HH: _____   |
| BD: _____  | MAX: _____  |
| BL: _____  | SL: _____   |
| CD: _____  | TPL: _____  |
| COL: _____ | W: _____    |
| DD: _____  | X: _____    |
| DH: _____  | Y: _____    |



Quote No.:	_____
Customer:	_____
Customer P/O:	_____
Project:	_____
Item:	_____
Date:	_____
Quantity:	_____
By:	_____

# Xylem |'zīləm|

- 1) The tissue in plants that brings water upward from the roots;
- 2) a leading global water technology company.

We're a global team unified in a common purpose: creating advanced technology solutions to the world's water challenges. Developing new technologies that will improve the way water is used, conserved, and re-used in the future is central to our work. Our products and services move, treat, analyze, monitor and return water to the environment, in public utility, industrial, residential and commercial building services, and agricultural settings. With its October 2016 acquisition of Sensus, Xylem added smart metering, network technologies and advanced data analytics for water, gas and electric utilities to its portfolio of solutions. In more than 150 countries, we have strong, long-standing relationships with customers who know us for our powerful combination of leading product brands and applications expertise with a strong focus on developing comprehensive, sustainable solutions.

**For more information on how Xylem can help you, go to [www.xylem.com](http://www.xylem.com)**

---

**Xylem Inc.**  
[www.bellgossett.com](http://www.bellgossett.com)

Bell & Gossett is a trademark of Xylem Inc. or one of its subsidiaries.  
© 2017 Xylem Inc. BGD200G11 R1 July 2017



**Bell & Gossett**  
a xylem brand