



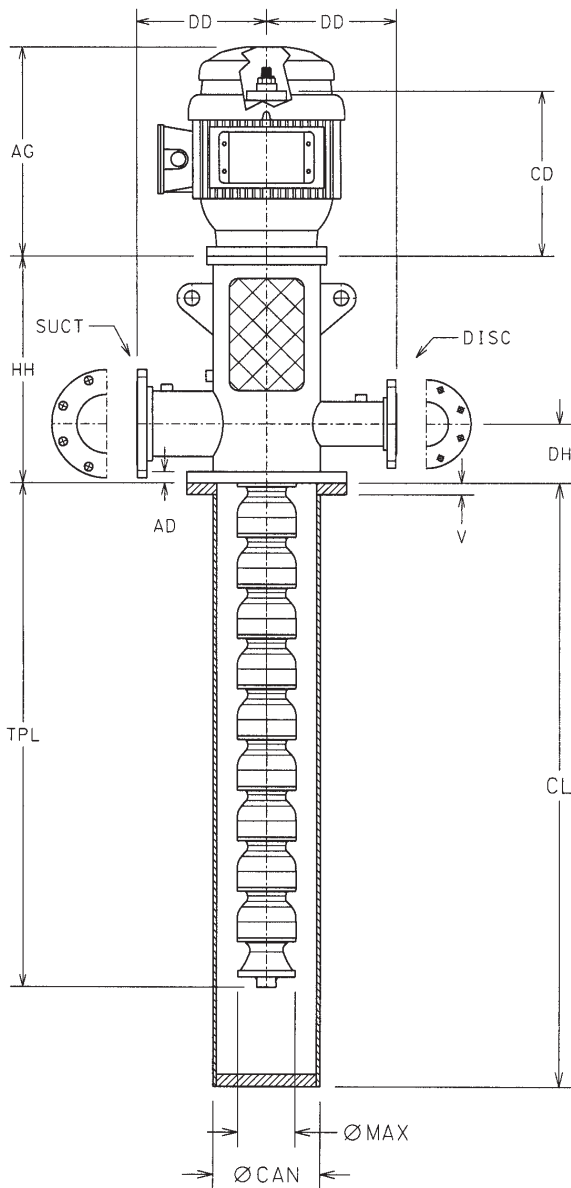
Bell & Gossett
a xylem brand

DIMENSIONAL DRAWINGS

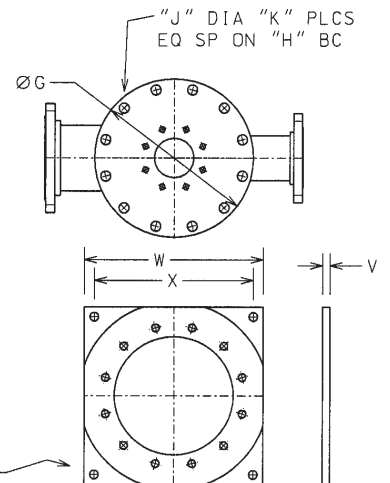
BGD200G09 R1

Outline Type "VIC-FTCM" 200.G.09

"T" FABRICATED HEAD, CLOSE-COUPLED



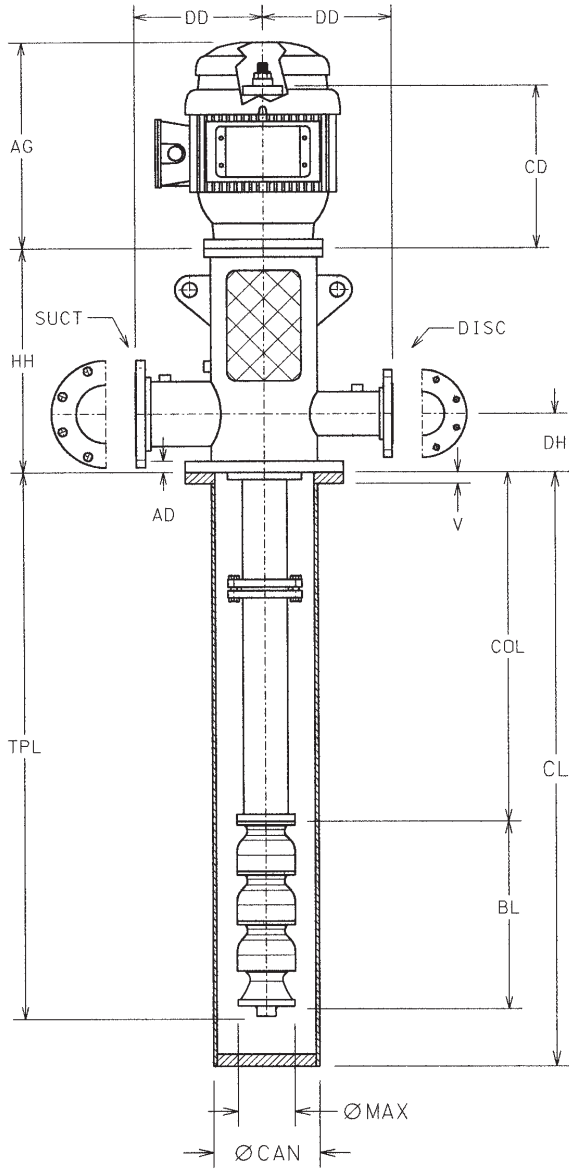
- | | |
|-------------|-------------|
| AD: _____ | HH: _____ |
| AG: _____ | J: _____ |
| BD: _____ | K: _____ |
| CAN: _____ | MAX: _____ |
| CD: _____ | SL: _____ |
| CL: _____ | SUCT: _____ |
| COL: _____ | TPL: _____ |
| DD: _____ | V: _____ |
| DH: _____ | W: _____ |
| DISC: _____ | X: _____ |
| G: _____ | Y: _____ |
| H: _____ | Z: _____ |



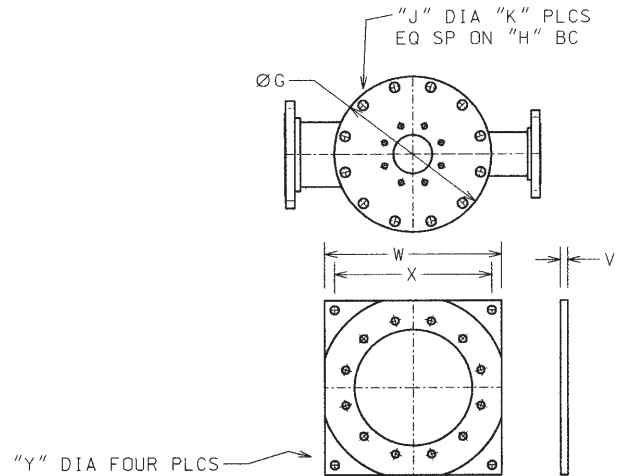
Quote No.:	_____
Customer:	_____
Customer P/O:	_____
Project:	_____
Item:	_____
Date:	_____
Quantity:	_____
By:	_____

Outline Type "VIC-FTFM" 200.G.10

"T" FABRICATED HEAD, FLANGED COLUMN



- | | |
|-------------|-------------|
| AD: _____ | HH: _____ |
| AG: _____ | J: _____ |
| BD: _____ | K: _____ |
| BL: _____ | MAX: _____ |
| CAN: _____ | SL: _____ |
| CD: _____ | SUCT: _____ |
| CL: _____ | TPL: _____ |
| COL: _____ | V: _____ |
| DH: _____ | W: _____ |
| DISC: _____ | X: _____ |
| G: _____ | Y: _____ |
| H: _____ | Z: _____ |



Quote No.:	_____
Customer:	_____
Customer P/O:	_____
Project:	_____
Item:	_____
Quantity:	_____
Date:	_____
By:	_____

Xylem Inc.
www.bellgossett.com

Bell & Gossett is a trademark of Xylem Inc. or one of its subsidiaries.
© 2017 Xylem Inc. BGD200G09 July 2017



Bell & Gossett
a xylem brand