



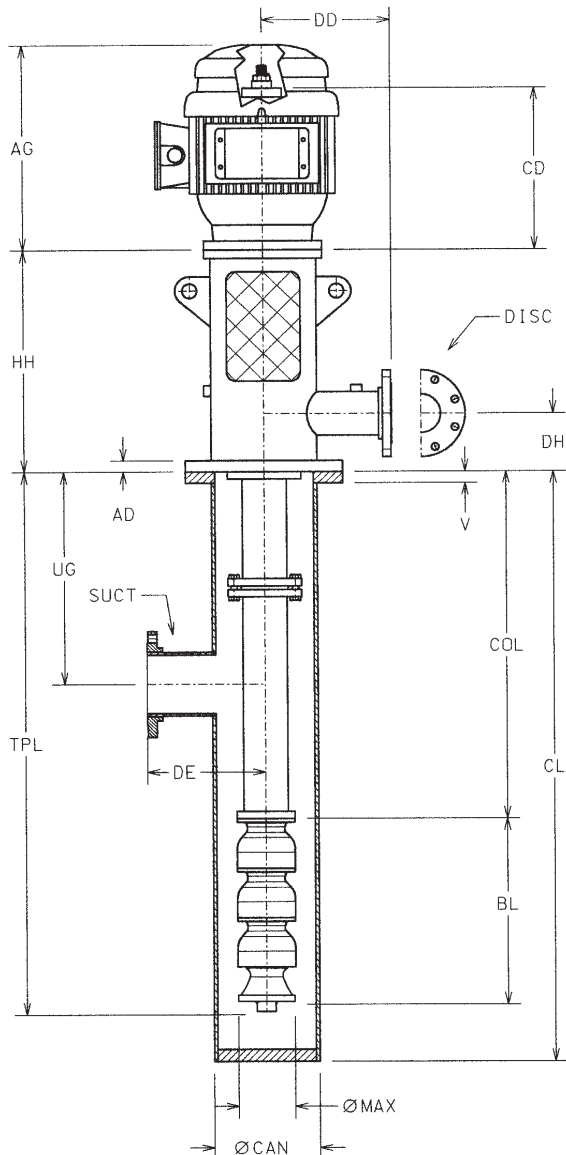
**Bell & Gossett**  
a xylem brand

**DIMENSIONAL DRAWINGS**

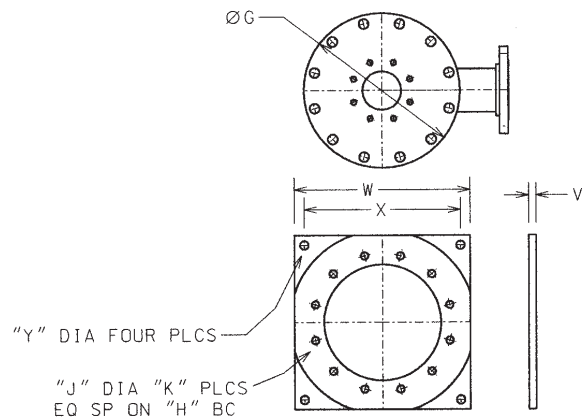
BGD200G07 R1

# Outline Type "VIC-FLFM" 200.G.07

**U/G SUCTION, FABRICATED HEAD, FLANGED COLUMN**



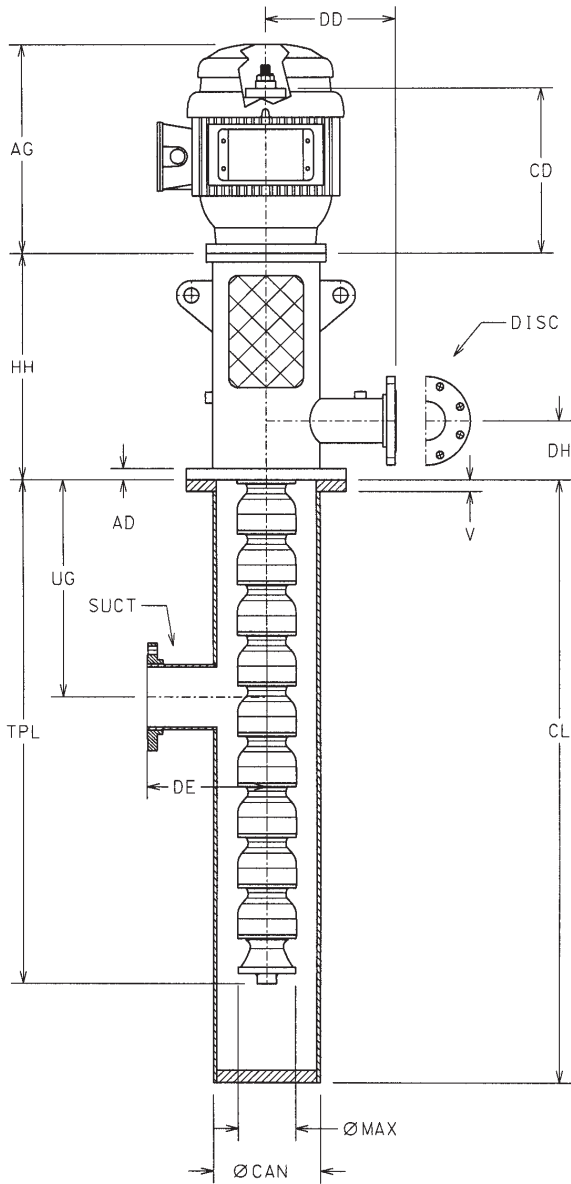
- |             |             |
|-------------|-------------|
| AD: _____   | HH: _____   |
| AG: _____   | J: _____    |
| BD: _____   | K: _____    |
| BL: _____   | MAX: _____  |
| CAN: _____  | SL: _____   |
| CD: _____   | SUCT: _____ |
| CL: _____   | TPL: _____  |
| COL: _____  | UG: _____   |
| DD: _____   | V: _____    |
| DE: _____   | W: _____    |
| DH: _____   | X: _____    |
| DISC: _____ | Y: _____    |
| G: _____    | Z: _____    |
| H: _____    |             |



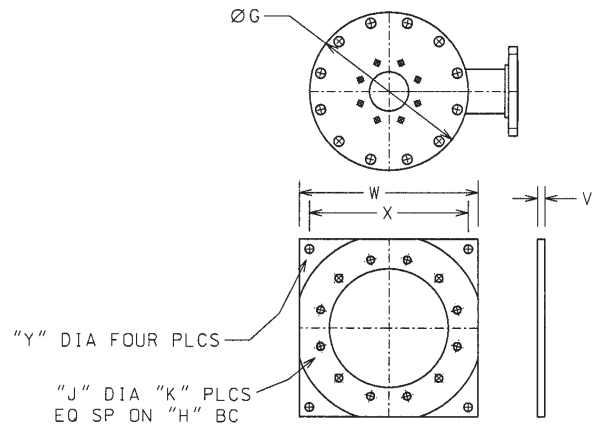
Quote No.:	_____
Customer:	_____
Customer P/O:	_____
Project:	_____
Item:	_____
Date:	_____
Quantity:	_____
By:	_____

# Outline Type "VIC-FLCM" 200.G.08

U/G SUCTION, FABRICATED HEAD, CLOSE-COUPLED



- |             |             |
|-------------|-------------|
| AD: _____   | HH: _____   |
| AG: _____   | J: _____    |
| BD: _____   | K: _____    |
| CAN: _____  | MAX: _____  |
| CD: _____   | SL: _____   |
| CL: _____   | SUCT: _____ |
| COL: _____  | TPL: _____  |
| DD: _____   | UG: _____   |
| DE: _____   | V: _____    |
| DH: _____   | W: _____    |
| DISC: _____ | X: _____    |
| G: _____    | Y: _____    |
| H: _____    | Z: _____    |



Quote No.:	_____
Customer:	_____
Customer P/O:	_____
Project:	_____
Item:	_____
Date:	_____
Quantity:	_____
By:	_____

**Xylem Inc.**  
www.bellgossett.com

Bell & Gossett is a trademark of Xylem Inc. or one of its subsidiaries.  
© 2017 Xylem Inc. BGD200G07 July 2017



**Bell & Gossett**  
a xylem brand