



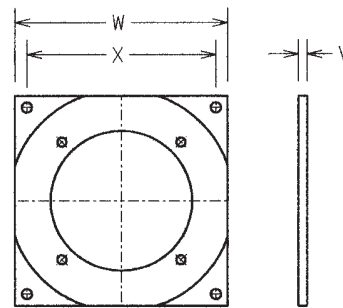
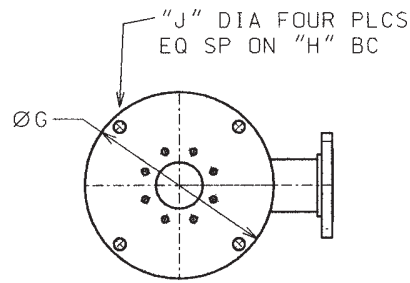
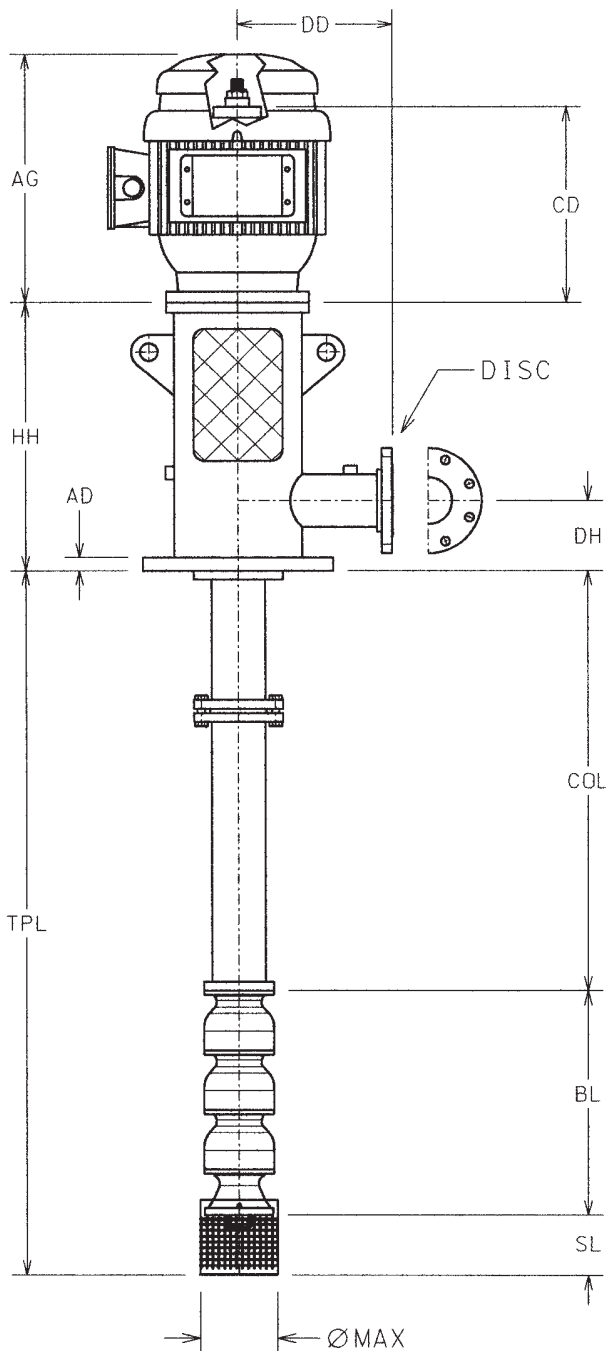
Bell & Gossett
a xylem brand

DIMENSIONAL DRAWINGS

BGD200G05 R1

Outline Type "VIT-FFFFM" 200.G.05

FABRICATED HEAD, FLANGED COLUMN



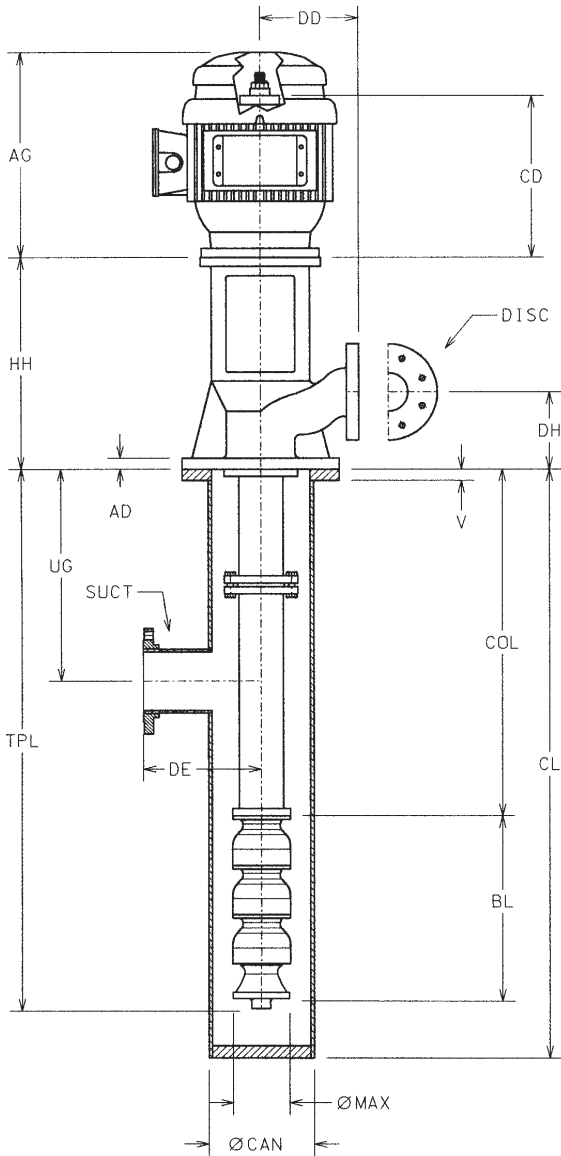
OPTIONAL SOLE PLATE

- AD: _____
- AG: _____
- BD: _____
- BL: _____
- CD: _____
- COL: _____
- DD: _____
- DH: _____
- DISC: _____
- G: _____
- H: _____
- HH: _____
- J: _____
- MAX: _____
- SL: _____
- TPL: _____
- V: _____
- W: _____
- X: _____
- Y: _____
- Z: _____

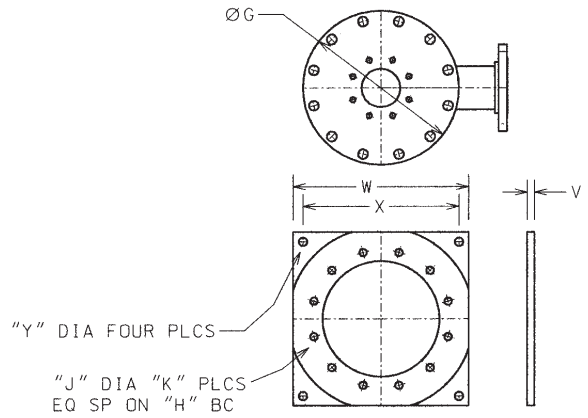
Quote No.:	_____
Customer:	_____
Customer P/O:	_____
Project:	_____
Item:	_____
Date:	_____
Quantity:	_____
By:	_____

Outline Type "VIC-CLFM" 200.G.06

U/G SUCTION, "L" CAST HEAD, FLANGED COLUMN



- | | |
|-------------|-------------|
| AD: _____ | HH: _____ |
| AG: _____ | J: _____ |
| BD: _____ | K: _____ |
| BL: _____ | MAX: _____ |
| CAN: _____ | SL: _____ |
| CD: _____ | SUCT: _____ |
| CL: _____ | TPL: _____ |
| COL: _____ | UG: _____ |
| DD: _____ | V: _____ |
| DE: _____ | W: _____ |
| DH: _____ | X: _____ |
| DISC: _____ | Y: _____ |
| G: _____ | Z: _____ |
| H: _____ | |



Quote No.:	_____
Customer:	_____
Customer P/O:	_____
Project:	_____
Item:	_____
Quantity:	_____
Date:	_____
By:	_____

Xylem Inc.
www.bellgossett.com

Bell & Gossett is a trademark of Xylem Inc. or one of its subsidiaries.
© 2017 Xylem Inc. BGD200G05 R1 July 2017

 **Bell & Gossett**
a xylem brand