



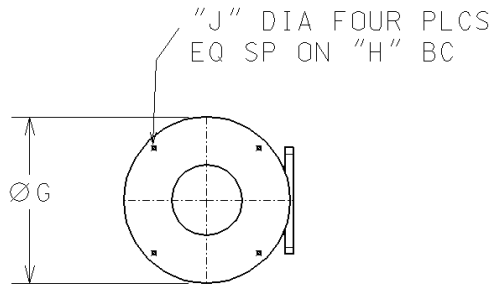
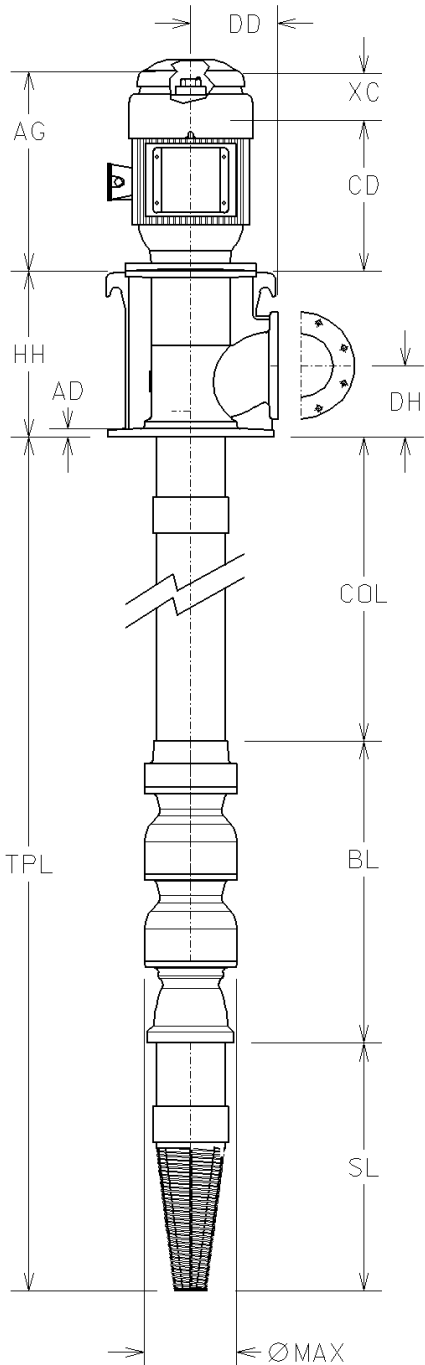
Bell & Gossett
a xylem brand

DIMENSIONAL DRAWINGS

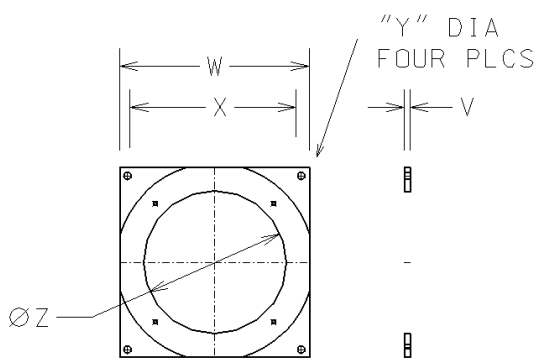
BGD200G01A

Outline Type "DWT-DITM" 200.G.01A

"DI" DUCTILE IRON HEAD, THREADED COLUMN



DISC HEAD



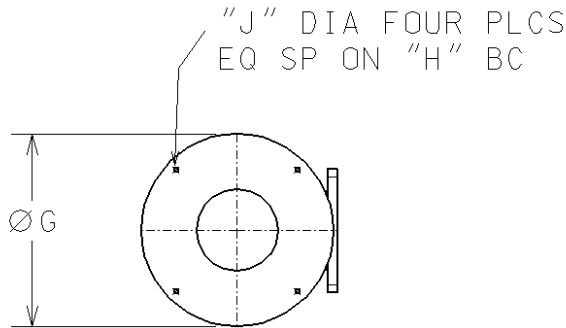
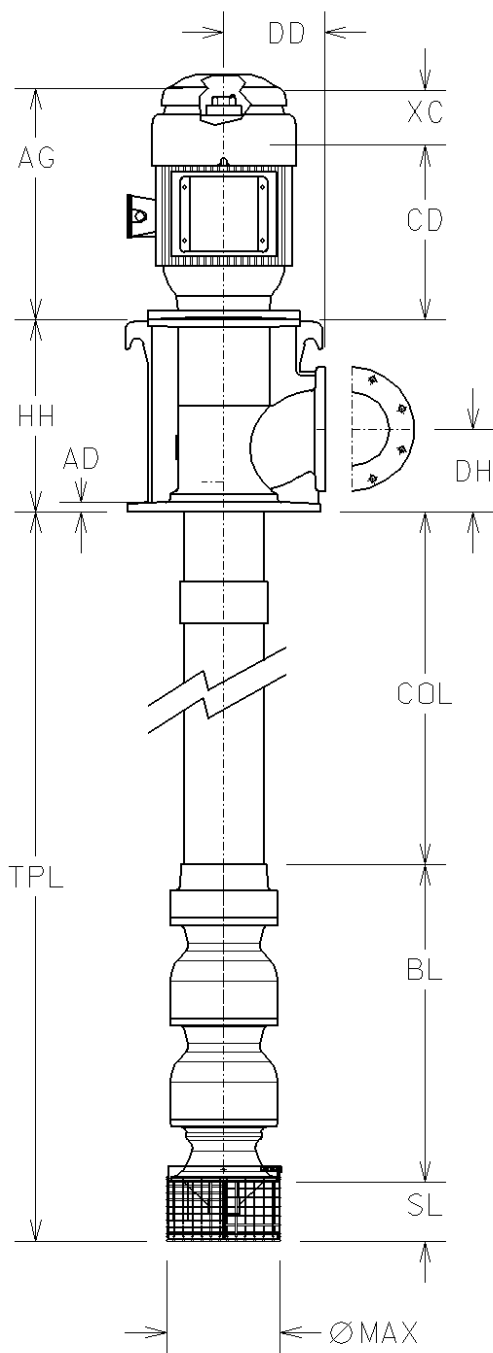
OPTIONAL SOLE PLATE

- AD: _____
- AG: _____
- BD: _____
- BL: _____
- CD: _____
- COL: _____
- DD: _____
- DH: _____
- DISC: _____
- G: _____
- H: _____
- HH: _____
- J: _____
- MAX: _____
- SL: _____
- TPL: _____
- V: _____
- W: _____
- X: _____
- XC: _____
- Y: _____
- Z: _____

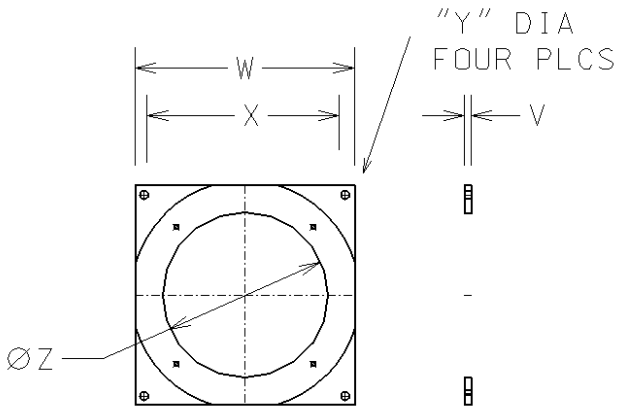
Quote No.:	_____
Customer:	_____
Customer P/O:	_____
Project:	_____
Item:	_____
Date:	_____
Quantity:	_____
By:	_____

Outline Type "VIT-DITM" 200.G.02A

"DI" DUCTILE IRON HEAD, THREADED COLUMN



DISC HEAD



OPTIONAL SOLE PLATE

- AD: _____
- AG: _____
- BL: _____
- CD: _____
- COL: _____
- DD: _____
- DH: _____
- DISC: _____
- G: _____
- H: _____
- HH: _____
- J: _____
- MAX: _____
- SL: _____
- TPL: _____
- V: _____
- W: _____
- X: _____
- XC: _____
- Y: _____
- Z: _____

Quote No.:	_____
Customer:	_____
Customer P/O:	_____
Project:	_____
Item:	_____
Quantity:	_____
Pump Model:	_____
Stages:	_____
Date:	_____
By:	_____

Xylem Inc.
www.bellgossett.com

Bell & Gossett is a trademark of Xylem Inc. or one of its subsidiaries.
© 2017 Xylem Inc. BGD200G01A R1 July 2017

 **Bell & Gossett**
a xylem brand