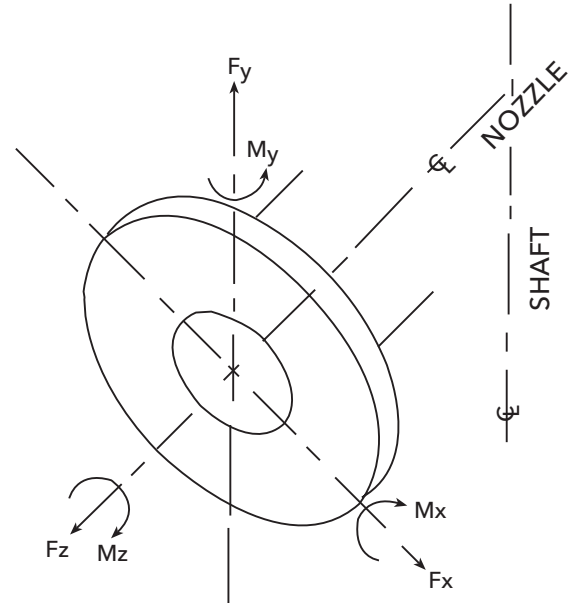




Fabricated Heads

200.C.07A *(Effective June 1, 2006)*



Standard Allowable Flange Forces and Moments for Vertical Turbine Pumps Commercial Design Only

Flange Size	Fx and Fy (lbs.)	Fz (lbs.)	Mx and My (ft. - lbs.)	Mz (ft. - lbs.)
3	155	310	390	780
4	210	420	530	1060
6	340	680	850	1700
8	570	1140	1425	2850
10	700	1400	1750	3500
12	750	1500	1875	3750
14	800	1600	2000	4000
16	850	1700	2125	4250
18	900	1800	2250	4500
20	937	1875	2345	4687
24	1050	2100	2625	5250

Consult factory when flange requirement is greater, for ratings on all AP1610 and non-commercial heads; and for cast iron heads.

VIT - Discharge heads 3 inches through 24 inches with 150 lb. flanges.

VIT - Discharge heads 3 inches through 12 inches with 300 lb. flanges.

VIC - Discharge heads 3 inches through 24 inches with 150 lb. flanges.

VIC - Discharge heads 3 inches through 8 inches with 300 lb. flanges and 150 lb. suction flanges only.

Xylem |'zīləm|

- 1) The tissue in plants that brings water upward from the roots;
- 2) a leading global water technology company.

We're a global team unified in a common purpose: creating advanced technology solutions to the world's water challenges. Developing new technologies that will improve the way water is used, conserved, and re-used in the future is central to our work. Our products and services move, treat, analyze, monitor and return water to the environment, in public utility, industrial, residential and commercial building services, and agricultural settings. With its October 2016 acquisition of Sensus, Xylem added smart metering, network technologies and advanced data analytics for water, gas and electric utilities to its portfolio of solutions. In more than 150 countries, we have strong, long-standing relationships with customers who know us for our powerful combination of leading product brands and applications expertise with a strong focus on developing comprehensive, sustainable solutions.

For more information on how Xylem can help you, go to www.xylem.com

Xylem Inc.
www.bellgossett.com

Bell & Gossett is a trademark of Xylem Inc. or one of its subsidiaries.
© 2017 Xylem Inc. BGD200C07A R1 July 2017



Bell & Gossett
a xylem brand