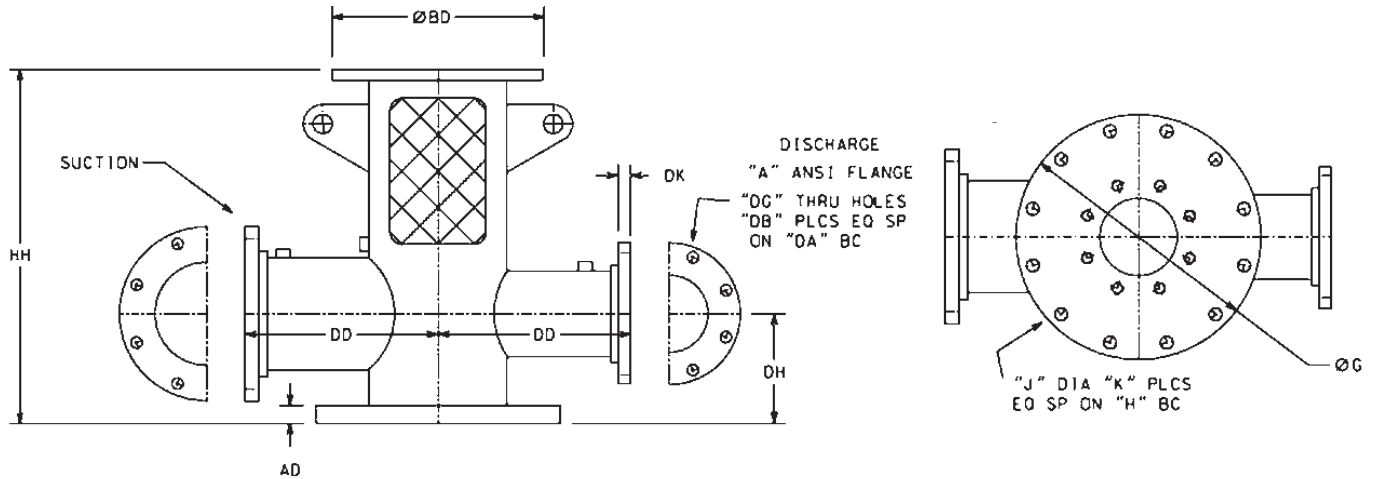




Type "FT" Fabricated Discharge Head

200.C.06 *(Effective June, 2015)*



A	SUCT	CAN	BD	DH	L/P HH	H/P HH
4"	4"	10, 12, 14	12	8.00	29.00	35.50
4"	6"	10, 12, 14	12	8.00	29.00	35.50
6"	8"	12, 14, 16, 18	12, 16.5	9.50	30.00	40.00
8"	10"	16, 18, 20	12, 16.5, 20	12.00	36.00	42.50
10"	12"	18, 20, 24	16.5, 20, 24.5	12.00	38.00	47.00
12"	14"	20, 24, 30	16.5, 20, 24.5	14.00	43.00	48.00
14"	16"	24, 30, 36	16.5, 20, 24.5	16.00	48.00	60.00
16"	18"	24, 30, 36	20, 24.5, 30.5	16.00	50.00	60.00
18"	20"	30, 36, 42	20, 24.5, 30.5	18.00	53.00	60.00
20"	24"	30, 36, 42	24.5, 30.5, 36	20.00	57.00	60.00
24"	24"	36, 42, 48	24.5, 30.5, 36	20.00	57.00	66.00

CAN	AD	DD	G	H	J	K
8"	1.13	9.75	13.50	11.75	0.88	8
10"	1.13	11.00	16.00	14.25	1.00	12
12"	1.38	12.50	19.00	17.00	1.00	12
14"	1.38	13.50	21.00	18.75	1.13	12
16"	1.63	14.75	23.50	21.25	1.13	16
18"	1.88	15.50	25.00	22.75	1.25	16
20"	1.88	16.75	27.50	25.00	1.25	20
24"	1.88	19.00	32.00	29.50	1.38	20
30"	1.88	22.38	38.75	36.00	1.38	28
36"	2.00	26.00	46.00	42.75	1.63	32
42"	2.00	29.50	53.00	49.50	1.63	36
48"	2.13	32.75	59.50	56.00	1.63	44
54"	2.38	36.13	66.25	62.75	1.88	44
60"	2.38	39.50	73.00	69.25	1.87	52

150#

A	DG	DB	DA	DK
3"	0.75	4	6.00	0.94
4"	0.75	8	7.50	0.94
6"	0.88	8	9.50	1.00
8"	0.88	8	11.75	1.12
10"	1.00	12	14.25	1.19
12"	1.00	12	17.00	1.25
14"	1.13	12	18.75	1.38
16"	1.13	16	21.25	1.44
18"	1.25	16	22.75	1.56
20"	1.25	20	25.00	1.69
24"	1.38	20	29.50	1.88

300#

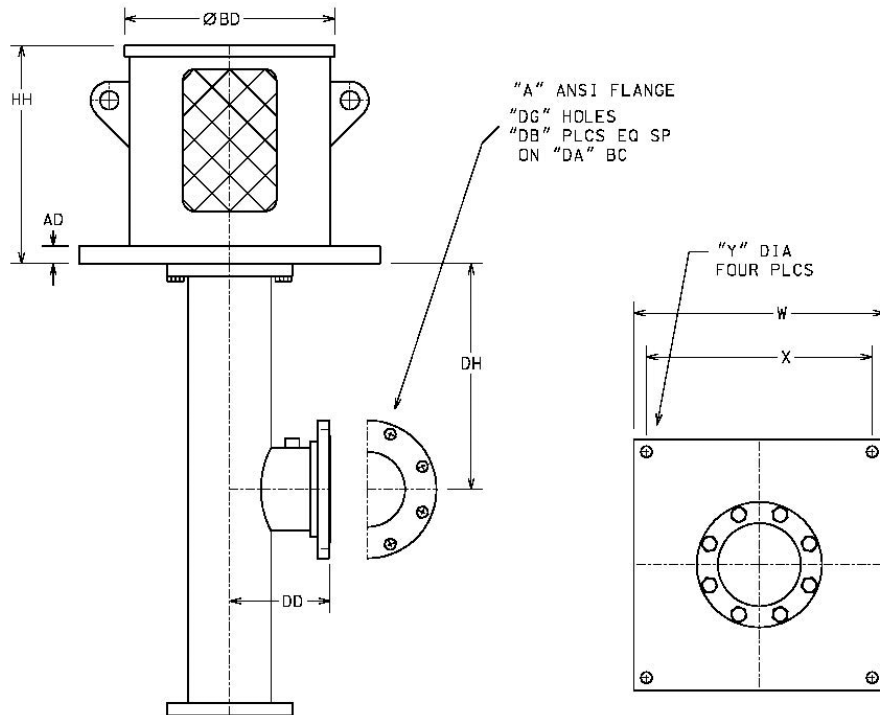
A	DG	DB	DA	DK
3"	0.88	8	6.63	1.13
4"	0.88	8	7.88	1.25
6"	0.88	12	10.63	1.44
8"	1.00	12	13.00	1.63
10"	1.13	16	15.25	1.88
12"	1.25	16	17.75	2.00
14"	1.25	20	20.25	2.13
16"	1.38	20	22.50	2.25
18"	1.38	24	24.75	2.38
20"	1.38	24	27.00	2.50
24"	1.63	24	32.00	2.75

L/P (Low Profile) Stuffing Box

H/P (High Profile) Mechanical Seal and Spacer Coupling

Type "FU" Fabricated Discharge Head

200.C.07 *(Effective June, 2015)*



A	BD	AD	DD	DH	HH	W	X	Y
3"	10, 12	1.38	7.00	18.00	17.38	24.00	21.00	0.88
4"	10, 12	1.38	7.00	18.00	17.38	24.00	21.00	0.88
6"	12, 16.5	1.38	8.00	18.00	17.38	24.00	21.00	0.88
8"	12, 16.5, 20	1.50	10.00	18.00	17.50	30.00	27.00	1.00
10"	16.5, 20, 24.5	1.50	11.00	18.00	19.50	30.00	27.00	1.00
12"	16.5, 20, 24.5	1.94	12.00	18.00	19.75	36.00	33.00	1.13
14"	16.5, 20, 24.5	1.94	13.00	18.00	19.75	36.00	33.00	1.13
16"	20, 24.5, 30.5	1.94	14.00	24.00	24.00	42.00	39.00	1.13
18"	20, 24.5, 30.5	1.94	15.00	24.00	24.00	42.00	39.00	1.13
20"	20, 24.5, 30.5, 36	1.94	16.00	24.00	24.00	42.00	39.00	1.13
24"	20, 24.5, 30.5, 36, 42	1.94	18.00	24.00	24.00	42.00	39.00	1.13

150#

A	DG	DB	DA	DK
3"	0.75	4	6.00	0.94
4"	0.75	8	7.50	0.94
6"	0.88	8	9.50	1.00
8"	0.88	8	11.75	1.12
10"	1.00	12	14.25	1.19
12"	1.00	12	17.00	1.25
14"	1.13	12	18.75	1.38
16"	1.13	16	21.25	1.44
18"	1.25	16	22.75	1.56
20"	1.25	20	25.00	1.69
24"	1.38	20	29.50	1.88

300#

A	DG	DB	DA	DK
3"	0.88	8	6.63	1.13
4"	0.88	8	7.88	1.25
6"	0.88	12	10.63	1.44
8"	1.00	12	13.00	1.63
10"	1.13	16	15.25	1.88
12"	1.25	16	17.75	2.00
14"	1.25	20	20.25	2.13
16"	1.38	20	22.50	2.25
18"	1.38	24	24.75	2.38
20"	1.38	24	27.00	2.50
24"	1.63	24	32.00	2.75

Xylem Inc.

www.bellgossett.com

Bell & Gossett is a trademark of Xylem Inc. or one of its subsidiaries.

© 2017 Xylem Inc. BGD200C06 R1 July 2017



Bell & Gossett

a xylem brand