



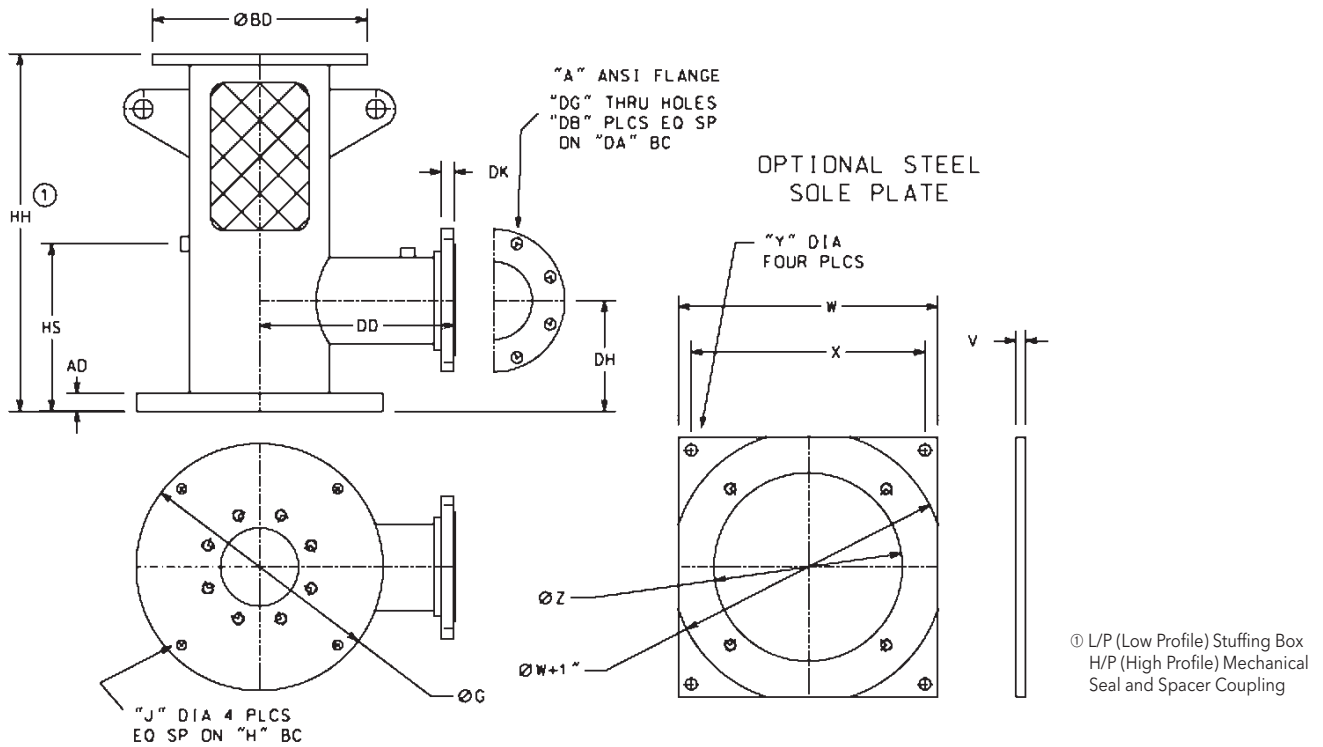
Bell & Gossett
a xylem brand

ENGINEERING DATA

BGD200C04 R1

Type "FF" Fabricated Discharge Head

200.C.04 *(Effective June 1, 2006)*



A	BD	AD	DD	DH	L/P HH	H/P HH	HS	G	H	J	V	W	X	Y	Z
3"	10, 12	1.13	12.00	5.50	19.00	26.50	9.00	16.00	14.25	1.00	1.00	16.00	13.00	0.88	11.00
4"	10, 12	1.13	13.00	6.00	23.00	32.00	10.00	16.00	14.25	1.00	1.00	16.00	13.00	0.88	11.00
6"	12, 16.5	1.38	15.00	8.50	27.50	37.50	13.50	19.00	17.00	1.00	1.00	19.00	16.00	1.00	14.00
8"	12, 16.5, 20	1.63	15.50	9.50	30.00	40.00	15.75	23.50	21.25	1.13	1.00	23.50	20.50	1.00	16.25
10"	16.5, 20, 24.5	1.75	17.50	12.00	34.00	44.00	19.25	25.00	22.75	1.25	1.00	25.00	22.00	1.00	19.00
12"	16.5, 20, 24.5	1.75	22.00	12.00	38.00	48.00	20.38	32.00	29.50	1.38	1.00	32.00	29.00	1.00	26.00
14"	16.5, 20, 24.5	1.75	22.00	14.00	43.00	49.50	23.25	38.75	36.00	1.38	1.25	38.75	36.00	1.25	30.00
16"	20, 24.5, 30.5	1.88	24.00	16.00	48.00	54.00	26.25	43.75	40.50	1.63	1.38	43.75	40.50	1.38	36.00
18"	20, 24.5, 30.5	2.00	24.00	16.00	50.00	56.00	27.25	43.75	40.50	1.63	1.38	43.75	40.50	1.38	36.00
20"	24.5, 30.5, 36	2.00	24.00	18.00	53.00	59.00	30.50	43.75	40.50	1.63	1.38	43.75	40.50	1.38	36.00
24"	24.5, 30.5, 36	2.25	28.00	20.00	57.00	60.00	34.50	46.00	42.75	1.63	1.75	46.00	42.75	1.38	36.00

150#

A	DG	DB	DA	DK
3"	0.75	4	6.00	0.94
4"	0.75	8	7.50	0.94
6"	0.88	8	9.50	1.00
8"	0.88	8	11.75	1.12
10"	1.00	12	14.25	1.19
12"	1.00	12	17.00	1.25
14"	1.13	12	18.75	1.38
16"	1.13	16	21.25	1.44
18"	1.25	16	22.75	1.56
20"	1.25	20	25.00	1.69
24"	1.38	20	29.50	1.88

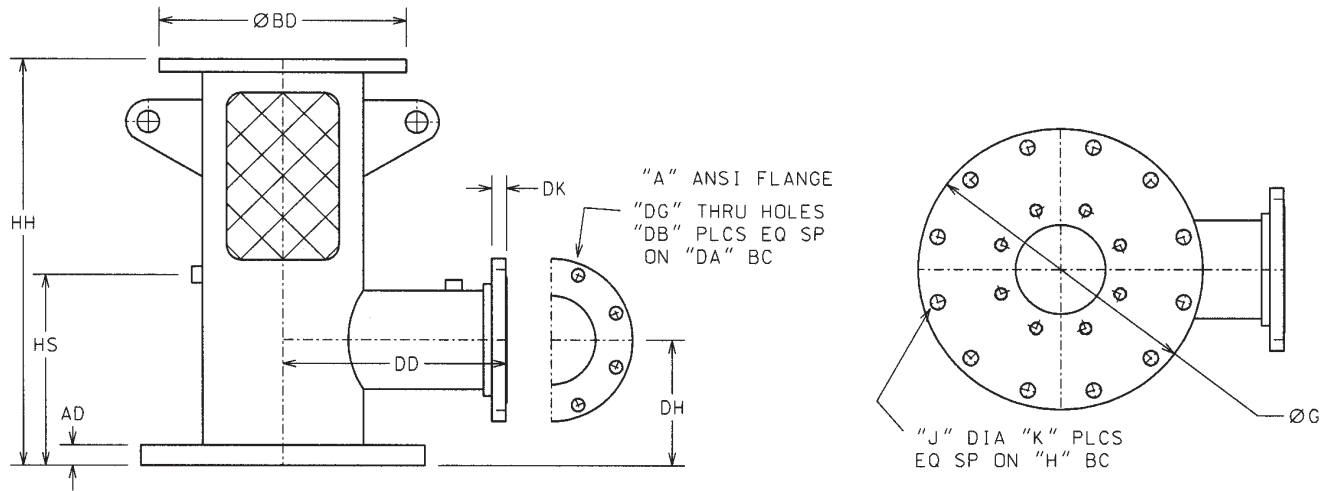
300#

A	DG	DB	DA	DK
3"	0.88	8	6.63	1.13
4"	0.88	8	7.88	1.25
6"	0.88	12	10.63	1.44
8"	1.00	12	13.00	1.63
10"	1.13	16	15.25	1.88
12"	1.25	16	17.75	2.00
14"	1.25	20	20.25	2.13
16"	1.38	20	22.50	2.25
18"	1.38	24	24.75	2.38
20"	1.38	24	27.00	2.50
24"	1.63	24	32.00	2.75

Reducing flange available on request.

Type "FL" Fabricated Discharge Head

200.C.05 (Effective June 1, 2006)



A	BD	CAN	DH	L/P HH	H/P HH	HS
3"	8, 10, 12	10	5.50	19.00	26.50	9.00
4"	10, 12, 14	10, 12	6.00	23.00	32.00	10.00
6"	12, 14, 16, 18	12, 16.5	8.50	27.50	37.50	13.50
8"	16, 18, 20	12, 16.5, 20	9.50	30.00	40.00	15.75
10"	20, 24, 30	16.5, 20, 24.5	12.00	34.00	44.00	19.25
12"	24, 30, 36	16.5, 20, 24.5	12.00	38.00	48.00	20.38
14"	30, 36, 48	16.5, 20, 24.5	14.00	43.00	49.50	23.25
16"	36, 48, 54	20, 24.5, 30.5	16.00	48.00	54.00	26.25
18"	42, 48, 54, 60	20, 24.5, 30.5	16.00	50.00	56.00	27.25
20"	42, 48, 54, 60	24.5, 30.5, 36	18.00	53.00	59.00	30.50
24"	48, 54, 60	24.5, 30.5, 36	20.00	57.00	60.00	34.50

CAN	AD	DD	G	H	J	K
8"	1.13	9.75	13.50	11.75	0.88	8
10"	1.13	11.00	16.00	14.25	1.00	12
12"	1.38	12.50	19.00	17.00	1.00	12
14"	1.38	13.50	21.00	18.75	1.13	12
16"	1.63	14.75	23.50	21.25	1.13	16
18"	1.88	15.50	25.00	22.75	1.25	16
20"	1.88	16.75	27.50	25.00	1.25	20
24"	1.88	19.00	32.00	29.50	1.38	20
30"	1.88	22.38	38.75	36.00	1.38	28
36"	2.00	26.00	46.00	42.75	1.63	32
42"	2.00	29.50	53.00	49.50	1.63	36
48"	2.13	32.75	59.50	56.00	1.63	44
54"	2.38	36.13	66.25	62.75	1.88	44
60"	2.38	39.50	73.00	69.25	1.87	52

150#

A	DG	DB	DA	DK
3"	0.75	4	6.00	0.94
4"	0.75	8	7.50	0.94
6"	0.88	8	9.50	1.00
8"	0.88	8	11.75	1.12
10"	1.00	12	14.25	1.19
12"	1.00	12	17.00	1.25
14"	1.13	12	18.75	1.38
16"	1.13	16	21.25	1.44
18"	1.25	16	22.75	1.56
20"	1.25	20	25.00	1.69
24"	1.38	20	29.50	1.88

300#

A	DG	DB	DA	DK
3"	0.88	8	6.63	1.13
4"	0.88	8	7.88	1.25
6"	0.88	12	10.63	1.44
8"	1.00	12	13.00	1.63
10"	1.13	16	15.25	1.88
12"	1.25	16	17.75	2.00
14"	1.25	20	20.25	2.13
16"	1.38	20	22.50	2.25
18"	1.38	24	24.75	2.38
20"	1.38	24	27.00	2.50
24"	1.63	24	32.00	2.75

L/P (Low Profile) Stuffing Box

H/P (High Profile) Mechanical Seal and Spacer Coupling

Xylem Inc.

www.bellgossett.com

Bell & Gossett is a trademark of Xylem Inc. or one of its subsidiaries.

© 2017 Xylem Inc. BGD200C04 R1 July 2017



Bell & Gossett

a xylem brand