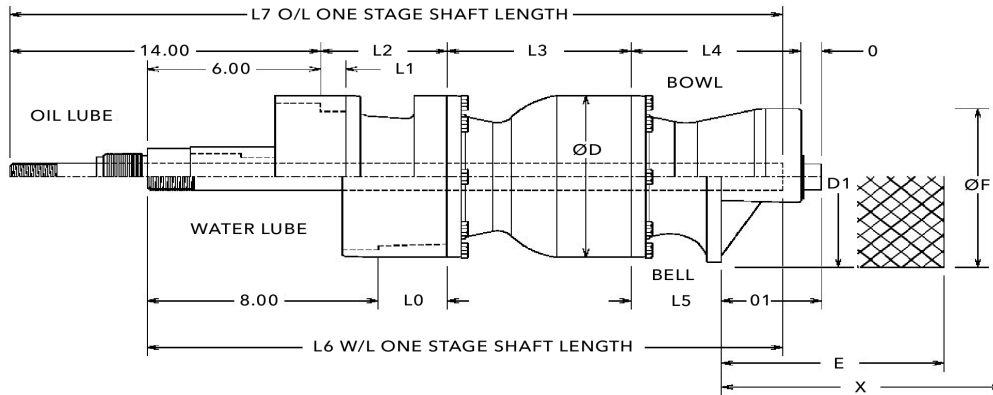




# Lineshaft Turbine Bowl Assembly Data

## 200.A.01 *(Effective May, 2016)*

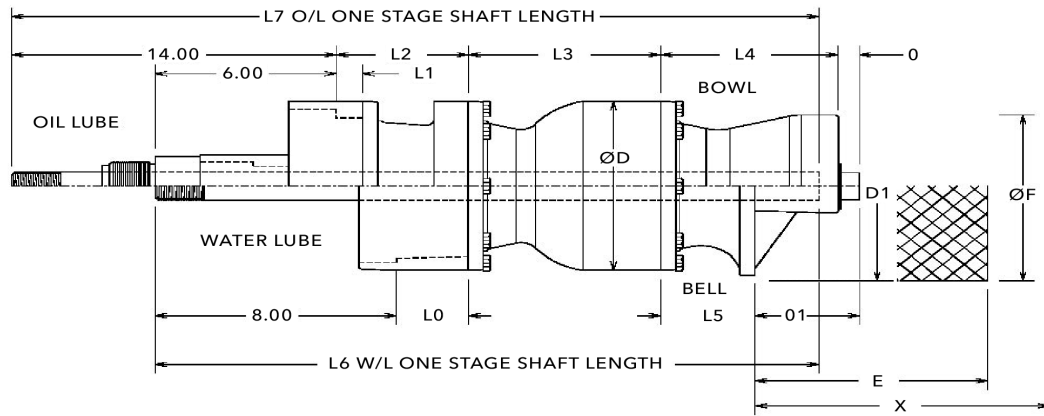


Model and Size	Bowl Assembly Length										Basket Strainer (Optional)		Floor Clearance	Bowl O.D.	Bell O.D.	Bowl Shaft Dia.	Available Lineshaft Size	Col. Pipe Size	Suct. Pipe Size	1st Stage Bowl Assembly Wt.		Add'l Stage Wt.
	L0	L1	L2	L3	L4	L5	L6	L7	O	O1	E	F	X	D	D1				W/L	O/L		
5A	2.06	N/A	4.75	3.625	5.00	3.00	17.75	26.44	0.69	2.69	4.88	6.75	4.63	5.20	5.63	1.00	1.00	3	4	38	45	11
5C	2.06	N/A	4.75	4.63	5.00	3.00	18.50	27.38	0.63	2.62	4.75	6.70	2.75	5.20	5.63	1.00	1.00	3,4	4	42	50	13
5T	2.06	N/A	4.75	4.81	5.00	3.81	18.63	27.56	0.63	2.31	4.62	6.70	2.75	5.20	5.63	1.00	1.00	3,4	4	43	51	13
5RWA	2.06	N/A	4.75	4.00	5.00	3.00	17.88	26.81	0.63	2.63	4.62	6.70	4.63	5.20	5.63	1.00	1.00	3,4	4	40	48	13
6C	2.50	N/A	4.75	5.13	5.00	3.94	19.88	28.13	0.63	1.69	4.62	6.70	3.75	5.88	5.63	1.00	1.00	3,4	4	47	55	17
6DH	2.06	N/A	5.75	5.50	5.38	5.38	21.06	30.13	1.75	1.75	4.62	6.70	4.88	5.50	5.50	1.00	1.00	4,5	4,5	48	57	16
6RA	2.06	N/A	5.75	3.75	N/A	3.00	19.19	28.25	N/A	4.00	4.62	6.70	6.00	5.50	5.63	1.00	1.00	3,4	N/A	42	52	20
7C	2.38	0.88	4.38	6.38	5.88	3.13	22.00	30.00	1.00	3.75	5.30	7.50	5.75	7.13	7.50	1.19	1.00-1.19	4,5,6	5	50	72	28
7RA	2.38	1.19	4.38	4.50	N/A	3.75	20.38	28.38	N/A	3.38	4.62	6.70	5.38	7.50	5.63	1.00	1.00	3,4	N/A	51	69	28
7T	2.38	0.88	4.38	7.09	5.88	3.13	22.81	30.81	1.00	3.75	5.30	7.50	5.75	7.13	7.50	1.19	1.00-1.19	5,6	5	53	71	31
7WA	2.38	0.88	4.38	5.50	6.13	3.25	21.25	29.25	1.00	3.75	5.63	7.63	5.75	7.13	6.38	1.19	1.00-1.19	4,5,6	4	54	76	30
8FD	2.38	0.88	4.38	8.25	6.00	6.00	25.50	33.50	2.88	2.88	8.25	8.38	5.25	7.50	7.31	1.19	1.00-1.19	5,6	6	80	95	34
8RA	2.38	0.88	4.38	5.00	N/A	3.19	20.63	28.63	N/A	3.69	5.63	7.63	5.75	7.50	6.38	1.19	1.00-1.19	4,5,6	N/A	67	82	36
8RJ	2.38	0.88	4.38	6.50	6.25	3.50	22.53	30.53	1.00	3.75	5.30	7.50	6.50	7.50	7.50	1.19	1.00-1.19	4,5,6	5	77	92	34
9RC	3.00	1.25	5.25	8.50	9.25	5.00	28.00	36.25	0.88	5.13	6.70	10.63	7.13	9.25	9.50	1.50	1.00-1.50	5,6,8	6	144	182	64
9T	3.00	1.25	5.25	9.25	9.25	5.00	28.75	37.00	0.88	5.13	6.70	10.63	7.13	9.25	9.50	1.50	1.00-1.50	5,6,8	6	150	188	70
9WA	3.00	1.25	5.25	6.63	9.25	5.00	26.13	34.38	0.88	5.13	6.70	10.63	7.13	9.25	9.50	1.50	1.00-1.50	4,5,6,8	6	138	176	58
10DH	2.94	1.25	5.19	9.25	8.38	5.75	30.63	38.88	4.44	7.06	14.25	13.75	9.13	9.50	12.75	1.69	1.00-1.69	6,8	8	140	170	64
10L	2.94	1.25	7.63	8.75	9.38	9.38	30.81	41.50	4.00	4.00	6.76	10.63	6.50	9.50	9.50	1.69	1.00-1.69	8,10	8	195	225	64
10RA	2.94	1.25	5.19	6.63	9.25	3.94	25.06	33.31	0.81	5.69	7.25	8.50	7.88	9.50	7.50	1.50	1.00-1.50	4,5,6,8	6	141	176	76
10RJ	2.94	1.25	5.19	8.40	9.69	5.88	28.13	36.44	0.94	4.75	6.70	10.63	7.88	9.50	9.50	1.50	1.00-1.50	5,6,8	6	130	165	60
10WA	3.00	1.25	5.25	7.63	9.19	5.06	27.13	35.38	1.00	5.13	6.70	10.63	7.25	9.50	9.50	1.50	1.00-1.50	4,5,6,8	6	126	160	56
11C	3.37	1.00	5.75	9.88	10.13	5.63	30.25	38.5	0.88	5.38	6.38	12.13	8.00	11.00	11.50	1.69	1.00-1.69	6,8,10	8,10	240	265	97
11RA	4.13	2.13	5.75	8.00	9.75	4.63	28.63	36.25	1.13	6.00	7.38	10.63	7.75	11.60	9.38	1.69	1.00-1.69	6,8,10	6	216	231	103
11WA	3.37	1.00	5.75	8.75	10.13	5.63	29.38	37.63	0.88	5.38	6.38	12.13	9.50	11.00	11.50	1.69	1.00-1.69	5,6,8	8	229	254	90
12C	4.13	2.13	5.75	11.00	10.38	6.88	32.63	40.25	0.88	4.38	6.38	12.13	8.00	11.75	11.50	1.69	1.00-1.69	6,8,10	8,10	263	295	124
12FD	4.13	2.13	5.75	12.25	9.50	8.00	34.25	41.88	2.50	4.00	6.50	12.50	6.43	11.60	11.50	1.94	1.00-1.94	8,10	10	275	300	129
12FR	4.13	N/A	8.25	12.50	9.13	8.00	33.75	43.88	2.88	4.00	6.38	12.13	6.13	11.75	11.50	1.94	1.00-1.94	10	10	255	320	129
12WA	4.13	2.13	5.75	9.00	9.75	6.88	29.88	37.5	1.00	3.88	6.38	12.13	8.00	11.60	11.50	1.69	1.00-1.69	6,8,10	6	240	265	95
12RJ	4.13	2.13	5.75	9.60	10.38	6.88	30.81	38.5	0.88	4.38	6.38	12.13	8.00	11.60	11.50	1.69	1.00-1.69	6,8,10	8	250	275	95
13C	4.13	N/A	5.75	11.13	10.13	5.56	32.00	39.63	1.00	5.56	6.38	12.13	8.00	12.38	11.50	1.94	1.00-1.94	8,10	10	315	380	150
13RA	3.13	3.00	9.00	9.50	N/A	7.00	31.38	43.25	N/A	5.50	7.75	15.50	7.75	13.38	12.75	1.94	1.00-1.94	8,10	N/A	374	459	164
14DH	3.13	3.00	9.00	13.25	10.75	10.75	37.00	49.88	5.88	5.88	12.88	14.50	8.00	13.25	13.20	2.19	1.19-2.19	10,12	12	405	490	169
14F	6.50	N/A	13.50	13.63	10.88	8.00	40.25	53.25	3.75	6.63	14.50	15.38	8.75	14.00	14.50	2.19	1.19-2.19	10,12	10	493	568	195
14RH	6.50	N/A	13.50	13.63	10.88	8.00	40.25	53.25	3.75	6.63	14.50	15.38	11.25	14.00	14.50	2.19	1.19-2.19	10,12	10	493	568	195

All dimensions are in inches and weights in lbs.

# Lineshaft Turbine Bowl Assembly Data

## 200.A.01A *(Effective May, 2016)*



Model and Size	Bowl Assembly Length										Basket Strainer (Optional)	Floor Clearance	Bowl O.D.	Bell O.D.	Bowl Shaft Dia.	Available Lineshaft Size	Col. Pipe Size	Suct. Pipe Size	1st Stage Bowl Assembly Wt.		Add'l Stage Wt.	
	L0	L1	L2	L3	L4	L5	L6	L7	O	O1									E	F		X
14RJ	3.13	3.00	9.00	11.50	10.38	6.25	31.75	43.63	1.13	5.25	9.75	14.00	9.50	13.63	13.25	1.94	1.00-1.94	8,10,12	10	390	475	155
15F Bell	5.75	N/A	13.00	16.00	N/A	8.00	38.50	51.75	N/A	4.75	12.25	17.50	8.00	14.75	16.00	2.19	1.19-2.19	12,14	N/A	535	620	222
15F Bowl	5.75	N/A	13.00	16.00	12.63	N/A	45.25	58.50	5.38	N/A	N/A	N/A	8.62	N/A	14.75	2.19	1.19-2.19	12,14	1214	535	620	222
16B	10.25	N/A	10.00	14.00	N/A	10.25	44.12	49.88	N/A	4.75	17.00	19.00	8.25	16.13	16.00	2.44	1.19-2.44	10,12	N/A	465	680	300
16DH Bell	4.25	N/A	12.75	15.25	N/A	8.00	37.50	52.00	N/A	4.75	12.25	17.50	9.75	15.25	16.00	2.44	1.19-2.44	12,14	N/A	660	764	281
16DH Bowl	4.25	N/A	12.75	15.25	12.63	8.00	42.75	56.75	5.38	4.75	N/A	N/A	10.38	15.25	15.20	2.44	1.19-2.44	12,14	N/A	660	764	281
16DM	10.25	N/A	9.88	15.25	12.75	10.75	46.25	51.88	2.50	4.50	16.25	17.00	9.25	16.00	16.00	2.44	1.19-2.44	12,14	14	740	760	265
16RG	10.25	N/A	9.88	16.38	15.50	8.00	47.63	53.25	N/A	8.63	17.00	18.50	11.75	16.00	17.50	2.44	1.19-2.44	12,14	1214	450	RF	310
18B	5.50	N/A	11.25	13.00	N/A	8.50	36.13	47.88	N/A	3.63	17.00	18.75	15.25	17.50	17.50	2.44	1.19-2.44	12,14,16	N/A	514	742	354
18C	5.50	N/A	11.25	16.38	N/A	10.69	37.25	54.50	N/A	5.56	17.00	18.00	9.63	17.50	16.88	2.44	1.68-2.43	10,12,14,16	N/A	450	680	310
18D	5.50	N/A	9.88	16.75	13.63	11.88	43.63	54.00	2.50	4.25	17.00	18.75	10.50	17.75	17.75	2.69	1.19-2.69	12,14,16	N/A	661	905	482
18GX	N/A	N/A	9.88	18.75	N/A	10.88	38.00	62.00	N/A	3.12	18.75	19.75	9.38	18.50	18.88	2.44	1.68-2.44	12,14,16	N/A	RF	RF	N/A
18H	5.50	N/A	9.88	17.63	N/A	8.88	39.13	55.00	N/A	7.88	17.00	19.50	18.25	18.00	18.00	2.69	1.19-2.69	12,14,16	N/A	648	886	371
18L	N/A	N/A	9.88	18.63	N/A	12.75	39.00	54.88	N/A	2.63	16.13	24.50	11.75	18.00	23.50	2.44	1.19-2.44	12,14,16	N/A	616	1020	456
20B	N/A	N/A	N/A	16.31	N/A	12.13	37.56	56.69	N/A	3.13	26.25	21.00	10.50	19.75	19.75	2.44	1.19-2.44	10,12	N/A	730	N/A	395
20RC	N/A	N/A	9.88	19.13	N/A	12.56	41.62	57.5	N/A	5.22	20.00	21.00	11.00	21.13	21.00	2.44	1.68-2.43	12,14,16,18	N/A	720	1000	500
20E	5.50	N/A	9.88	18.00	N/A	12.50	39.00	54.88	N/A	3.50	21.00	23.25	12.75	18.94	22.00	2.44	1.19-2.44	12,14,16	N/A	600	896	392
20G	N/A	N/A	15.00	21.50	N/A	12.50	42.25	63.25	N/A	3.13	21.00	23.25	12.75	20.75	22.00	2.44	1.19-2.44	16,18	N/A	714	1150	519
24C	N/A	N/A	15.00	23.25	N/A	15.38	50.25	71.25	N/A	6.38	24.00	25.50	12.38	25.00	24.38	2.44	1.68-2.43	16,18,20	N/A	1300	1800	900
24D	N/A	N/A	13.50	22.75	N/A	16.25	48.00	67.50	N/A	5.75	27.25	26.00	12.88	24.25	24.88	2.44	1.68-2.43	16,18,20	N/A	1570	2150	1090
24E	N/A	N/A	15.00	21.00	N/A	14.56	44.00	54.50	N/A	4.19	26.00	26.75	13.00	22.25	25.63	2.44	1.68-2.43	16,18,20	N/A	1320	RF	880
24F	N/A	N/A	24.00	24.00	N/A	14.68	52.50	82.50	N/A	8.44	24.00	25.50	13.38	24.25	24.38	2.44	1.68-2.43	16,18,20	N/A	1120	RF	780
24G	N/A	N/A	13.50	24.75	N/A	14.43	48.00	67.50	N/A	3.31	24.75	26.00	15.38	24.25	24.88	2.94	1.68-2.93	16,18,20	N/A	1110	1800	770
26G	N/A	N/A	RF	26.88	N/A	15.56	50.75	74.75	N/A	3.81	26.00	28.50	13.75	26.00	27.38	2.94	1.68-2.93	16,18,20,24	N/A	RF	RF	RF
28B	N/A	N/A	12.00	22.00	N/A	12.94	42.88	60.88	N/A	3.81	27.75	29.50	18.00	26.88	28.38	2.68	1.68-2.68	16,18,20	N/A	1500	2030	1050
28G	N/A	N/A	RF	27.88	N/A	16.19	52.75	60	N/A	3.94	27.63	29.50	14.25	26.88	28.38	2.94	1.68-2.93	18,20,24	N/A	1700	RF	750
30B	N/A	N/A	12.00	24.00	N/A	14.94	42.88	60.88	N/A	5.56	32.12	34.00	18.25	29.50	32.88	2.94	1.68-2.93	18,20,24	N/A	1820	2400	1330

All dimensions are in inches and weights in lbs.

**Xylem Inc.**  
www.bellgossett.com

 **Bell & Gossett**  
a xylem brand