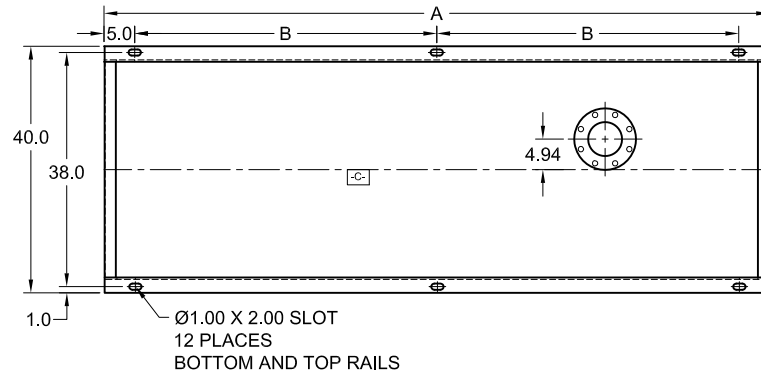


CLARKE FIRE PUMP DRIVERS  
EPA NSPS TIER 1 ENGINE MODELS  
HSC 8100 SERIES PUMPS

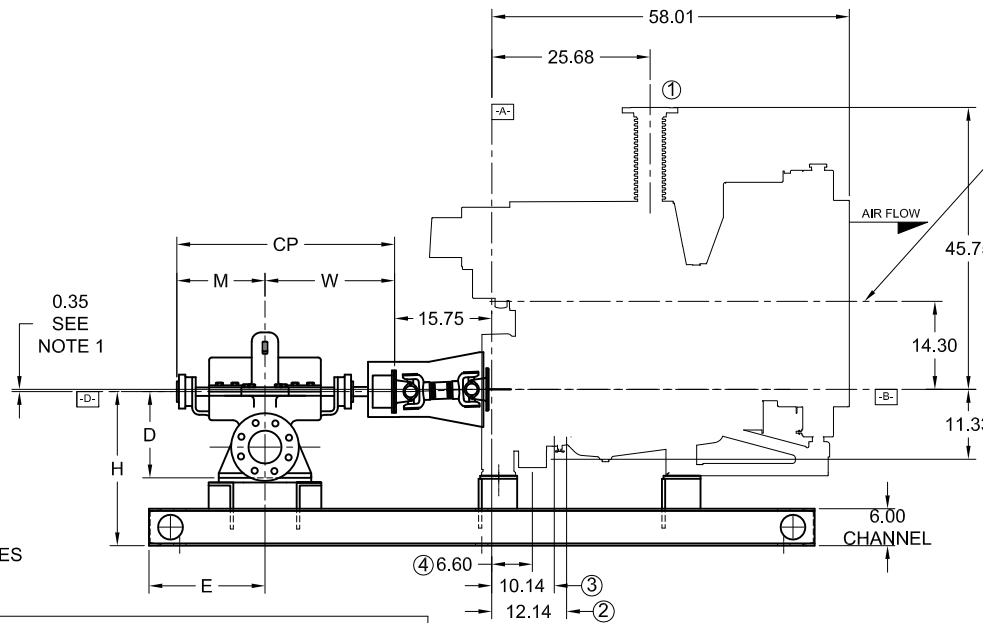
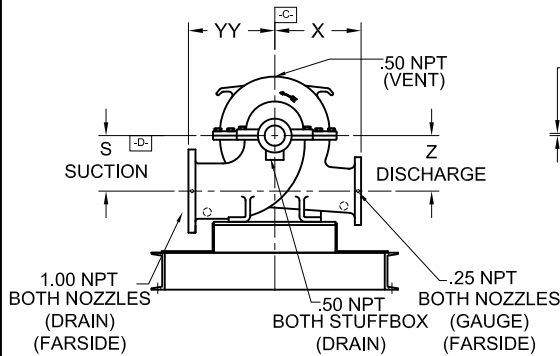


- A- - MOUNTING FACE OF FLYWHEEL
- B- - ENGINE CRANKSHAFT HORIZONTAL CENTERLINE
- C- - ENGINE CRANKSHAFT VERTICAL CENTERLINE
- D- - PUMP SHAFT HORIZONTAL CENTERLINE

UL LISTED DRIVESHAFTS		
ENGINE MODEL	DRIVESHAFT MODEL	DIM: K
JU6R-UFAA29, 31, 33, D1, D9	CDS20-S1	0.14
JU6R-UFAA49, 51, 53, 57, M1, M7, M9	CDS30-S1	0.10



ITEM NO.	DESCRIPTION	CONNECTION SIZE
①	EXHAUST OUTLET CONNECTION	5" 150# FLANGE
②	FUEL SUPPLY CONNECTION	1/2" NPTF
③	FUEL RETURN CONNECTION	3/8" NPTF
④	HEATER JUNCTION BOX	VOLTAGE REQUIREMENTS: AC CONNECTION HEATER 1360 WATTS STD- 115 VAC ±5%-10% OPT- 230 VAC ±5%-10%



NOTES:

1. THE DRIVE SHAFT IS DESIGNED TO OPERATE AT A 2° ANGLE WITH THE INPUT AND OUTPUT SHAFTS IN PARALLEL. THE ENGINE CRANKSHAFT IS TO BE SET WITH A PARALLEL OFFSET OF 0.35 ± "K" INCHES VERTICALLY ABOVE THE PUMP SHAFT AND 0.00" ± "K" INCH PARALLEL OFFSET HORIZONTALLY RIGHT OR LEFT OF THE PUMP SHAFT. REFER TO THE CERTIFIED DRIVESHAFT INSTRUCTIONS MANUAL FOR ALIGNMENT INSTRUCTIONS.
2. BASE MUST BE COMPLETELY FILLED WITH GROUT PER NFPA 20.
3. PUMP IS CW (CLOCKWISE) ROTATION WHEN VIEWED FROM THE COUPLING END.
4. ALL DIMENSIONS ARE IN INCHES.
5. SUCTION AND DISCHARGE FLANGES DRILLED PER ANSI B16.1 (IF APPLICABLE).

PUMP TYPE	PUMP SIZE		DIMENSIONS												
	SUCT.	DISCH.	A	B	H	E	M	W	CP	D	YY	X	S	Z	
6x4x11 F	6	4	108	49	21	11.50	14.62	18.50	33.12	11.00	13.00	11.50	7.40	7.40	
6x4x12 F	6	4	108	49	21	12.50	13.25	17.50	30.75	12.00	13.00	11.50	7.80	7.80	
8x6x12 F-S	8	6	108	49	24	12.50	13.25	17.50	30.75	14.00	14.00	14.00	9.00	9.00	
8x6x12 F-M	8	6	108	49	24	11.50	14.62	18.50	33.12	14.00	14.00	14.00	9.00	9.00	
8x6x13 F	8	6	118	54	23	18.75	15.62	21.25	36.87	12.75	15.50	13.00	8.00	8.00	
8x6x18 F	8	6	118	54	24	18.75	15.62	21.25	36.87	14.00	16.00	14.00	9.00	9.00	
8x8x12 F	8	8	118	54	23	18.75	15.62	21.25	36.87	12.75	16.50	14.00	8.00	8.00	
8x8x17 F	8	8	118	54	24	17.44	17.00	22.56	39.56	14.50	16.50	15.00	9.50	9.50	
10x8x17 F	10	8	118	54	26	17.44	17.00	22.56	39.56	16.00	18.00	16.00	10.00	10.00	
10x8x20 F	10	8	118	54	30	17.44	17.00	22.56	39.56	20.00	20.00	18.00	14.00	14.00	
12x10x18 F	12	10	118	54	29	17.44	17.00	22.56	39.56	18.00	20.00	18.00	11.00	11.00	

NOT FOR CONSTRUCTION, INSTALLATION OR APPLICATION PURPOSES UNLESS CERTIFIED.									
CERTIFIED FOR:							APPROVAL		
CUSTOMER ORDER NO:							IDENTIFICATION NO:		
PUMP DATA		SIZE	MODEL	CURVE NO.	GPM	HEAD (FT.)	ROTATION	FLANGES	
ENGINE DATA		MAKE	MODEL	HP	RPM	VOLTAGE	POLARITY	SUCTION	DISCHARGE
SHOP ORDER:		CERTIFIED BY:			TOTAL WEIGHT		DATE:		