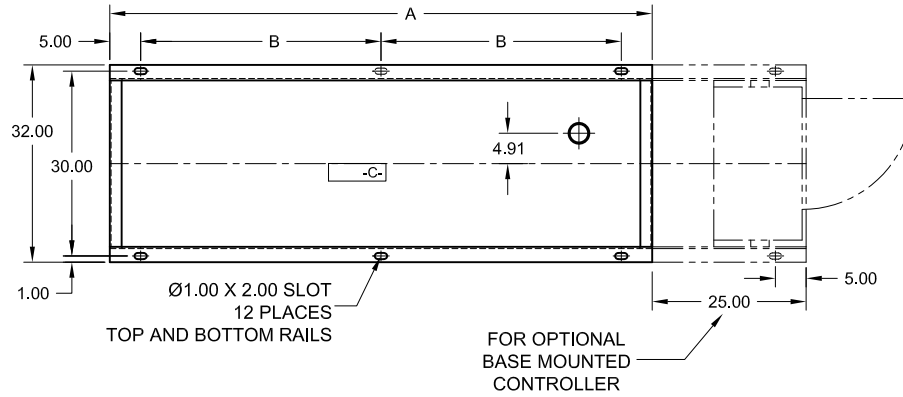


CLARKE FIRE PUMP DRIVERS
EPA NSPS TIER 3 ENGINE MODELS
HSC 8100 SERIES PUMPS

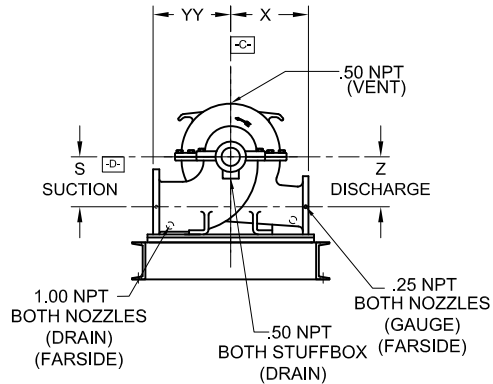
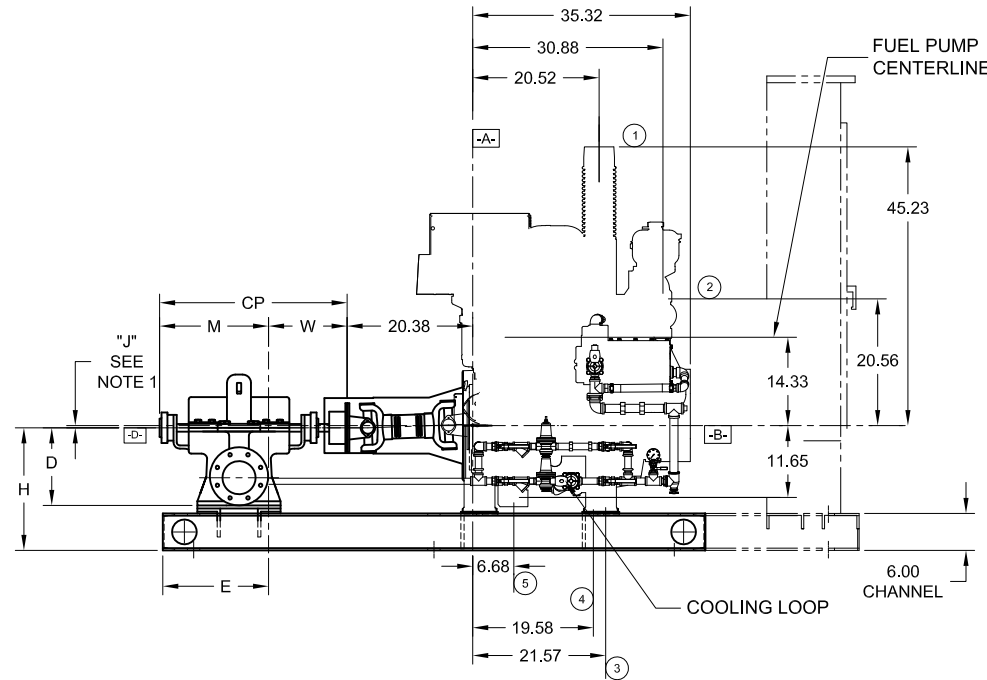


- A- - MOUNTING FACE OF FLYWHEEL
- B- - ENGINE CRANKSHAFT HORIZONTAL CENTERLINE
- C- - ENGINE CRANKSHAFT VERTICAL CENTERLINE
- D- - PUMP SHAFT HORIZONTAL CENTERLINE



ITEM NO.	DESCRIPTION	CONNECTION SIZE
①	EXHAUST OUTLET CONNECTION	4" NPT EXHAUST
②	RAW WATER OUTLET	SEE NOTE 6.
③	FUEL SUPPLY CONNECTION (FARSIDE)	1/2" NPTF
④	FUEL RETURN CONNECTION (FARSIDE)	3/8" NPTF
⑤	HEATER JUNCTION BOX	VOLTAGE REQUIREMENTS: AC CONNECTION HEATER 1000 WATTS STD- 115 VAC ±5%-10% OPT- 230 VAC ±5%-10%

UL LISTED DRIVESHAFT	
ENGINE MODEL	DRIVESHAFT MODEL
JU4H-UFAD98	CDS50-SC



- NOTES:
- THE DRIVE SHAFT IS DESIGNED TO OPERATE AT A 2° ANGLE WITH THE INPUT AND OUTPUT SHAFTS IN PARALLEL. THE ENGINE CRANKSHAFT IS TO BE SET WITH A PARALLEL OFFSET OF 0.45" ± 0.11" INCHES VERTICALLY ABOVE THE PUMP SHAFT AND 0.00" ± 0.11" INCH PARALLEL OFFSET HORIZONTALLY RIGHT OR LEFT OF THE PUMP SHAFT. REFER TO THE CERTIFIED DRIVESHAFT INSTRUCTIONS MANUAL FOR ALIGNMENT INSTRUCTIONS.
 - BASE MUST BE COMPLETELY FILLED WITH GROUT PER NFPA 20.
 - PUMP IS CW (CLOCKWISE) ROTATION WHEN VIEWED FROM THE COUPLING END.
 - ALL DIMENSIONS ARE IN INCHES.
 - SUCTION AND DISCHARGE FLANGES DRILLED PER ANSI B16.1 (IF APPLICABLE).
 - RAW WATER DRAIN PIPING SIZE VARIES BASED UPON SITE CONDITIONS. ENGINE CONN. SIZE: 1-1/4" NPT

PUMP TYPE	PUMP SIZE		DIMENSIONS												
	SUCT.	DISCH.	A	B	H	E	M	W	CP	D	YY	X	S	Z	
8X8X17 F	8	8	98	44	24	17.44	17.00	22.56	39.56	14.50	16.50	15.00	9.50	9.50	
10X8X17 F	10	8	98	44	26	17.44	17.00	22.56	39.56	16.00	18.00	16.00	10.00	10.00	
10X8X20 F	10	8	98	44	30	17.44	17.00	22.56	39.56	20.00	20.00	18.00	14.00	14.00	

NOT FOR CONSTRUCTION, INSTALLATION OR APPLICATION PURPOSES UNLESS CERTIFIED.								
CERTIFIED FOR:							APPROVAL	
CUSTOMER ORDER NO:							IDENTIFICATION NO:	
PUMP DATA							FLANGES	
ENGINE DATA							MAX ALTITUDE	
SHOP ORDER:			CERTIFIED BY:			TOTAL WEIGHT		DATE:
							UL FM ULC <input type="checkbox"/> <input type="checkbox"/> <input type="checkbox"/>	
SIZE		MODEL	CURVE NO.	GPM	HEAD (FT.)	ROTATION	SUCTION	DISCHARGE
MAKE		MODEL	HP	RPM	VOLTAGE	POLARITY		
CLARKE						NEG.		