



ecocirc XL and XLplus Series

SINGLE AND TWIN HEAD HIGH EFFICIENCY CIRCULATORS IN CAST IRON OR
BRONZE FOR HOT AND COLD HVAC APPLICATIONS

Exactly what you need from a circulator

At Xylem we believe in products that do their job when expected with easy to install, commission, operate and service.

When it comes to circulators, that means: high efficiency, robust design and high precision manufacturing as well as well thought through controls and communication.

A product for many years of trouble free operation. This is exactly what the ecocirc XL and XLplus will offer.

Low cost of operation

Your operation costs are kept to a minimum thanks to a high-efficiency ECM motor and hydraulics with an EEI that is even better than the ErP 2015 level.



Keep it hot or cold

A moulded insulation shell keeps the temperature of the pumped liquid (and the surroundings) where it should be.



The Brain

Maximum flexibility

The ecocirc can be operated in 4 different control modes:

- Automatic proportional pressure control (Δp_v)
- Constant pressure control (Δp_c)
- Differential temperature control (Δp_T)
- Manual-set constant speed

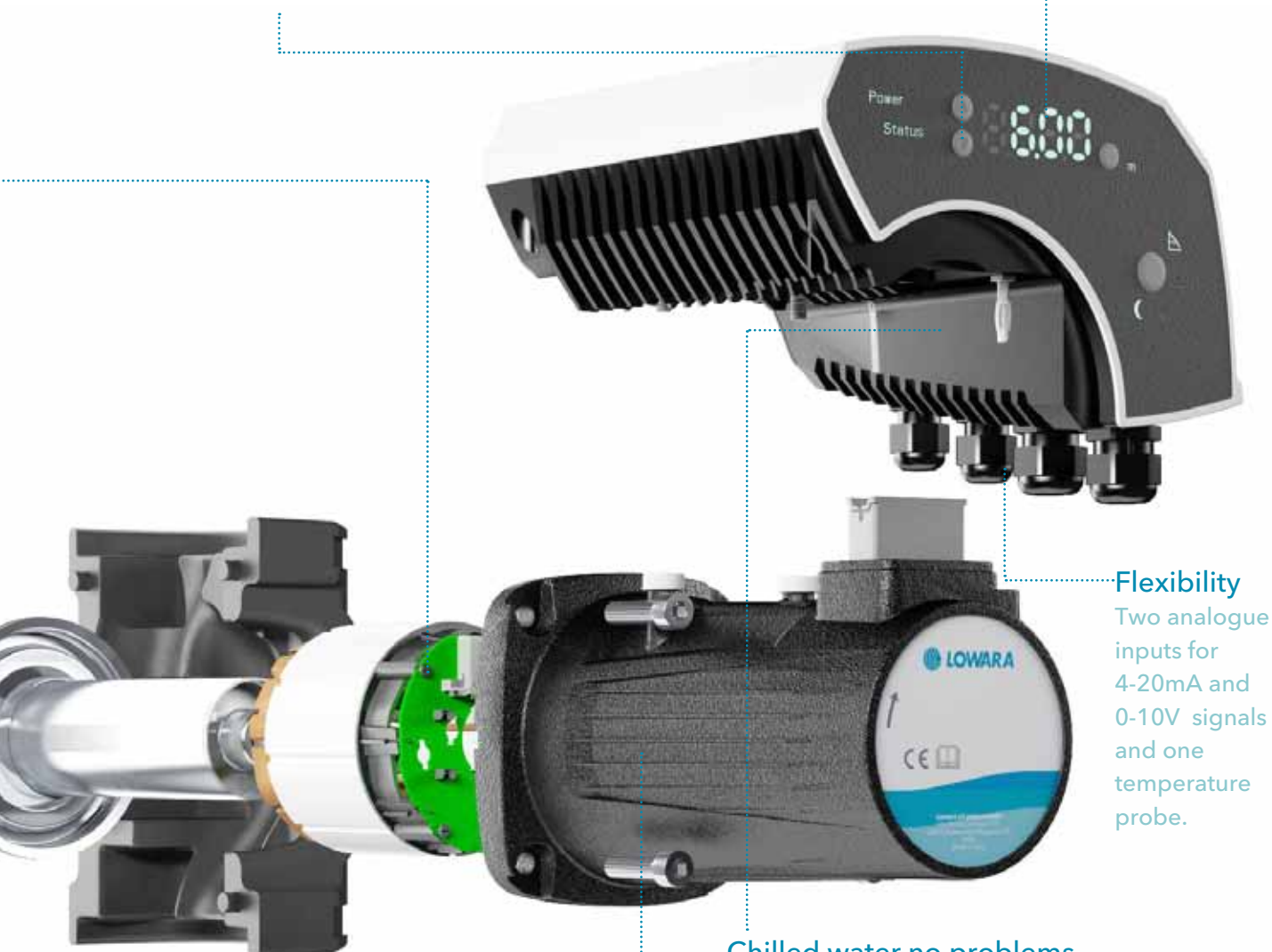
Night setback function for additional energy saving

Easy to operate

With only four logically placed buttons, it's easy to set up and operate the new ecocirc XL. You can access its advanced settings from a PC, tablet or smartphone via its built-in Wi-Fi.

Visible in dark plant rooms

Clear display with large figures and symbols makes it easy to read the values, even in the dark.



Safe

The built in dry run protection stops the pump and prevents damage if it runs without water.

Flexibility

Two analogue inputs for 4-20mA and 0-10V signals and one temperature probe.

Chilled water no problems

The electronics are separated from the pump to prevent condensation problems when pumping chilled liquids.

Advanced settings programmable via PC, tablet or smartphone.

Accessible via built in Wi-Fi or ethernet cable

Maximum security

If something unexpected happens; alarm and error codes show on the display and are stored in an error log. You will always know exactly what happened and when.

Maximum control

There are two analogue inputs for 4-20 mA or 0-10V plus an auxiliary temperature probe.

The ecocirc XLplus communicates with BMS systems via Modbus RTU and BACnet.

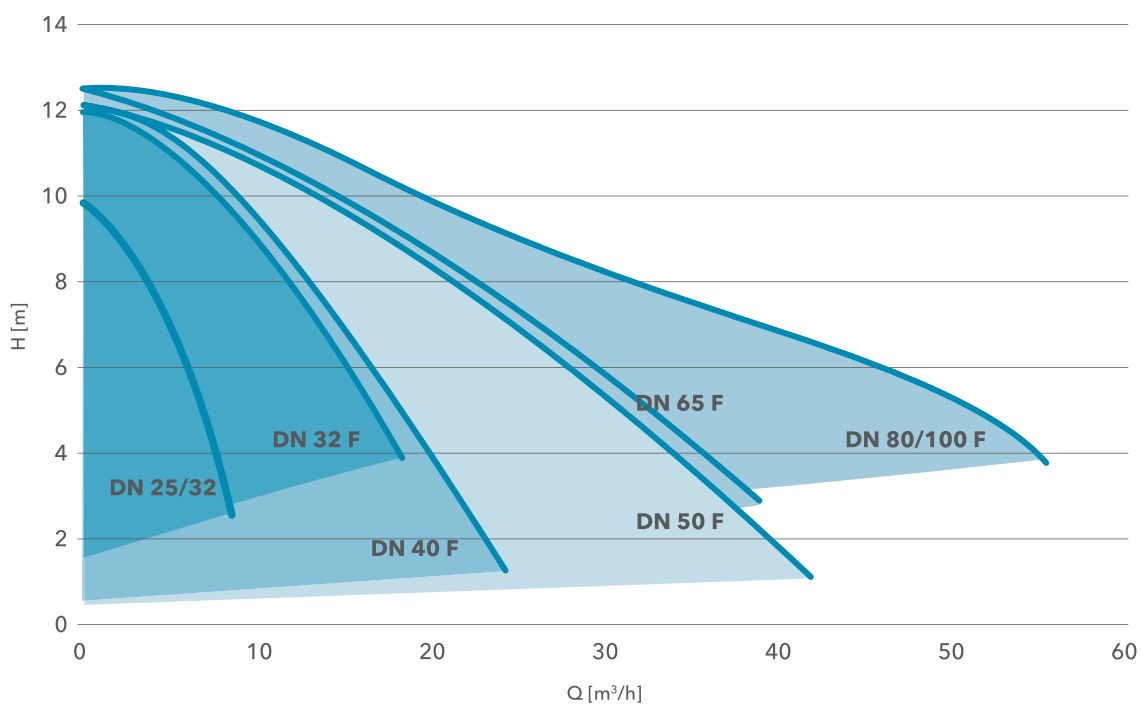
Runtime data is stored for optimising settings.

Benefit from a full performance coverage with only 8 models



The selection process is easier, it's easier to standardize in a building and replacement pumps are always in stock.

With a temperature range from -10°C to $+110^{\circ}\text{C}$, the standard ecocirc XL and XLplus fits in both hot and cold water systems, including secondary hot water, geothermal and solar systems.



ecocirc XL and XLplus

Two Versions

ecocirc XL

The stand-alone version without communication capabilities.

ecocirc XLplus

The full featured version including built in Wi-Fi and communication protocols for BMS systems.



	ecocirc XL	ecocirc XLplus
Control Modes		
Proportional Pressure curve	•	•
Constant Pressure curve	•	•
Constant Speed curve	•	•
Constant temperature curve		•
Automatic Night Set Back	•	•
Readings and settings on the pump		
Control panel and display	•	•
Operating status	•	•
Warning and alarm	•	•
Errors and work log history		•
Dry run protection		•
Input/Output		
2 x Analogue inputs (0-10V / 4-20mA)	•	•
1 x Aux temperature sensor		•
1 x start/stop digital input	•	•
1 x signaling digital output	•	•
Two pump operation		
Communication between two pumps		•
Alternating operation		•
Backup operation		•
Cascade operation (constant curve)	• (manual)	•
Communication and monitoring		
Communication with BMS		•
Communication with PC/Laptop		•
Wi-Fi module for wireless communication		•

With 122 versions to choose from, there's always an exact match

Model	Connection	Port to Port (mm)	PN 6/10	PN 16	Twin Head	Bronze
ecocirc XL/ XLplus 25-40	G 1 ½	180	•	•		•
ecocirc XL/ XLplus 25-60	G 1 ½	180	•	•		•
ecocirc XL/ XLplus 25-80	G 1 ½	180	•	•		
ecocirc XL/ XLplus 25-100	G 1 ½	180	•	•		
ecocirc XL/ XLplus 32-40	G 2	180	•	•		•
ecocirc XL/ XLplus 32-60	G 2	180	•	•		•
ecocirc XL/ XLplus 32-80	G 2	180	•	•		•
ecocirc XL/ XLplus 32-100	G 2	180	•	•		•
ecocirc XL/ XLplus 32-80 F	DN 32	220	•	•		
ecocirc XL/ XLplus 32-100 F	DN 32	220	•	•		
ecocirc XL/ XLplus 32-120 F	DN 32	220	•	•	•	•
ecocirc XL/ XLplus 40-80 F	DN 40	220	•	•	•	
ecocirc XL/ XLplus 40-100 F	DN 40	220	•	•	•	
ecocirc XL/ XLplus 40-120 F	DN 40	250	•	•	•	•
ecocirc XL/ XLplus 50-60 F	DN 50	280	•	•	•	•
ecocirc XL/ XLplus 50-100 F	DN 50	240	•	•		
ecocirc XL/ XLplus 50-120 F	DN 50	280	•	•	•	•
ecocirc XL/ XLplus 65-60 F	DN 65	340	•	•	•	•
ecocirc XL/ XLplus 65-120 F	DN 65	340	•	•	•	•
ecocirc XL/ XLplus 80-120 F	DN 80	360	•	•	•	•
ecocirc XL/ XLplus 100-120 F	DN 100	360	•	•		



Specifier's Tools

Xylem offer great online and off-line tools to make a specifier's life easier and for better performance. They are easy to use and minimize the risk of making mistakes in the selection process.

The selection software comes in stand-alone (Loop4U) or web based (xylect.com) versions and allows you to find the best solutions for your pumping problems even without knowing the Xylem product portfolio. The software let's you search on duty point, application or browse by product.

Detailed output from our tools includes downloadable documents such as data sheets and dimensional drawings in dxf, stp or revit formats.

Besides a comprehensive range of software , Xylem offers a whole range of systems engineering tools for sizing a pump system as well as training in pump sizing and pump systems optimization. And if you need further help, Xylem also has skilled application engineers ready to assist you in designing optimal pumping systems.

Comparison Chart

MODEL	F to F	MODEL	F to F	MODEL	F to F	MODEL	F to F
Grundfos MAGNA/UPE	[mm]	Grundfos MAGNA 1 or 3	[mm]	WILO STRATOS	[mm]	Lowara ecocirc XL	[mm]
MAGNA 25-40	180	MAGNA1 25-40	180			ecocirc XL 25-40	180
MAGNA 25-60	180	MAGNA1 25-60	180	STRATOS 25/1-6	180	ecocirc XL 25-60	180
		MAGNA1 25-80	180	STRATOS 25/1-8	180	ecocirc XL 25-80	180
MAGNA 25-100	180	MAGNA1 25-100	180			ecocirc XL 25-100	180
MAGNA 32-40	180	MAGNA1 32-40	180			ecocirc XL 32-40	180
MAGNA 32-60	180	MAGNA1 32-60	180	STRATOS 32/1-6	180	ecocirc XL 32-60	180
		MAGNA1 32-80	180	STRATOS 32/1-8	180	ecocirc XL 32-80	180
MAGNA 32-100	180	MAGNA1 32-100	180	STRATOS 32/1-12	180	ecocirc XL 32-100	180
		MAGNA1 32-80 F	220			ecocirc XL 32-80 F	220
MAGNA 32-100F	220	MAGNA1 32-100 F	220			ecocirc XL 32-100 F	220
MAGNA 32-120F	220	MAGNA1/3 32-120 F	220	STRATOS 32/1-12	220	ecocirc XL 32-120 F	220
		MAGNA1/3 40-80 F	220	STRATOS 40/1-8	220	ecocirc XL 40-80 F	220
MAGNA 40-100F	220	MAGNA1/3 40-100 F	220			ecocirc XL 40-100 F	220
MAGNA 40-120F	250	MAGNA1/3 40-120 F	250	STRATOS 40/1-12	250	ecocirc XL 40-120 F	250
MAGNA 50-60F	280	MAGNA1/3 50-60 F	240	STRATOS 50/1-8	240	ecocirc XL 50-60 F	240
MAGNA 50-100F	240	MAGNA1/3 50-100 F	280	STRATOS 50/1-9	280	ecocirc XL 50-100 F	240
MAGNA 50-120F	280	MAGNA1/3 50-120 F	280	STRATOS 50/1-12	280	ecocirc XL 50-120 F	280
MAGNA 65-60F	340	MAGNA1/3 65-60 F	340	STRATOS 65/1-9	280	ecocirc XL 65-60 F	340
MAGNA 65-120F	340	MAGNA1/3 65-120 F	340	STRATOS 65/1-12	340	ecocirc XL 65-120 F	340
UPS/UPE 80-120F	360	MAGNA1/3 80-120 F	360	STRATOS 80/1-12	360	ecocirc XL 80-120 F	360
UPS/UPE 100-60F	450	MAGNA1/3 100-120 F	450	STRATOS 100/1-12	360	ecocirc XL 100-120 F	360

Xylem

Xylem /'zilem/

- 1) The tissue in plants that brings water upward from the roots.
- 2) A leading global water technology company.

We're 12,900 people unified in a common purpose: creating innovative solutions to meet our world's water needs. Developing new technologies that will improve the way water is used, conserved, and re-used in the future is central to our work. We move, treat, analyze, and return water to the environment, and we help people use water efficiently, in their homes, buildings, factories and farms. In more than 150 countries, we have strong, long-standing relationships with customers who know us for our powerful combination of leading product brands and applications expertise, backed by a legacy of innovation.

For more information on how Xylem can help you, go to www.xyleminc.com

alcon
REFINERY WATER

Bell & Gossett

FLOJET

FLYGT

godwin

GOULDS
WATER TECHNOLOGY

JABSCO

LEOPOLD

LOWARA

MIDLAND-ACS

multitrode

PCI
AIRPANEL

PIMS

REDJACKET
Water Products

rule

SANITAIRE

VOGEL PUMPEN

WEDECO

xylem
Let's Solve Water

Xylem Water Solutions UK Limited

Millwey Rise Industrial Estate
Axminster, Devon EX13 5HU - UK
Tel: +44 (0) 1297 630230
Fax: +44 (0) 1297 630270
e-mail: lowaraukenquiries@xyleminc.com
www.lowara.co.uk

Xylem Water Solutions Ireland Limited

50 Broomhill Close
Airton Road
Tallaght, Dublin 24 D24 - Ireland
Tel: +353 (0) 1 452 4444
Fax: +353 (0) 1 452 4795
e-mail: flygtIRL@xyleminc.com
www.xylemwatersolutions.com/ie

Lowara is a trademark of Xylem Inc. or one of its subsidiaries.
© 2013 Xylem, Inc.

Code UKLIT0121 P2013-09

CPD

CIBSE
PATRONS

Member of
BPMA
Industry Association

MANAGEMENT SYSTEM CERTIFICATION
ISO 14001 - OHSAS 18001
DNV