

## Low Water Cut-Offs – Electronic For Steam Boilers

### Series PSE-800

For commercial steam boiler applications

The Series PSE-800 probe type LWCO uses patented technology to monitor changes in water conductivity. When defined parameters are exceeded the new PSE-800 makes a decision to shut the burner off based on the volatility/variability of the resistance settings. This new patented technology provides the best protection possible without turning off the boiler unless a low water condition exists. As an added measure of safety, the control will turn off the boiler if it recognizes an out-of-water condition when the sensitivity threshold is exceeded.

#### Standard Features

- Green LED indicating power is on
- Red LED indicating low water condition
- 30 second DOM
- Test button
- Self-Cleaning probe
- No lock out with loss of power if probe is in water
- Provisions to add water feeder of alarm

Models available with:

- 120 VAC
- 24 VAC (meets ANSIZ21. 13a specification)
- 'U' probe (extended barrel)
- 'RX2' probe (remote)

### Electrical Ratings

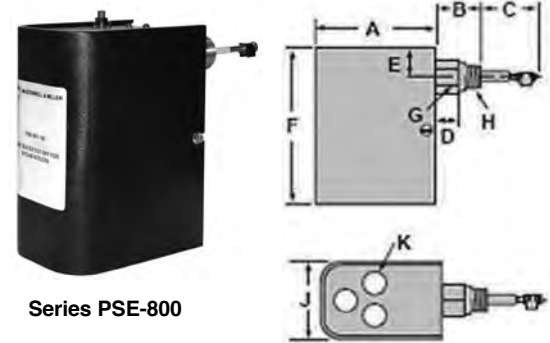
| Model   | Voltage | Switch Rating (Amperes) |              | Pilot Duty                       |
|---------|---------|-------------------------|--------------|----------------------------------|
|         |         | Full Load               | Locked Rotor |                                  |
| 24 VAC  | 24 VAC  | —                       | —            | 50 VA at 24 VAC                  |
| 120 VAC | 120 VAC | 7.5                     | 43.2         | 125 VA at 120 VAC<br>50 or 60 Hz |

### Ordering Information

| Model Number   | Part Number | Description                              | Weight lbs. (kg) |
|----------------|-------------|--|------------------|
| PSE-801-120    | 153827      | LWCO - 120V                              | 2.7 (1.2)        |
| PSE-801-U-120  | 153828      | PSE-801-120 w/ext. barrel ('U' probe)    | 2.7 (1.2)        |
| PSE-802-24     | 153927      | LWCO - 24V                               | 2.7 (1.2)        |
| PSE-802-U-24   | 153928      | PSE-802-24 w/ext barrel ('U' probe)      | 2.7 (1.2)        |
| PSE-802-RX2-24 | 153929      | PSE-802-24 w/remote sensor ('RX2' probe) | 2.7 (1.2)        |

### Dimensions, in. (mm)

| A        | B       |         | C         |         |         |         | D      | E       | F        | G       | H      |        | J       | K      |
|----------|---------|---------|-----------|---------|---------|---------|--------|---------|----------|---------|--------|--------|---------|--------|
|          | All     | U       | Std       | SP      | RX2     | U       |        |         |          |         | All    | RX     |         |        |
| 4¼ (108) | 1⅞ (40) | 3⅞ (78) | 2½ ( 54 ) | 1⅞ (35) | 2⅞ (54) | 1⅞ (40) | ¾ (20) | 1⅞ (21) | 5⅜ (148) | 1⅞ (35) | ¾ (20) | ½ (25) | 2⅞ (73) | ⅞ (22) |



### Probe Specifications

- Maximum Steam Pressure:** 15 psi (1.0 kg/cm<sup>2</sup>)
- Maximum Water Pressure:** 160 psi (11.2 kg/cm<sup>2</sup>)
- Maximum Water Temperature:** 250°F (121°C)
- Probe Sensitivity:** 7,000 ohm

### Control Unit

#### Temperature:

Storage: -40°F to 120°F (-40°C to 49°C)

Ambient: 32°F to 120°F (0°C to 49°C)

**Humidity:** 85% (non-condensing)