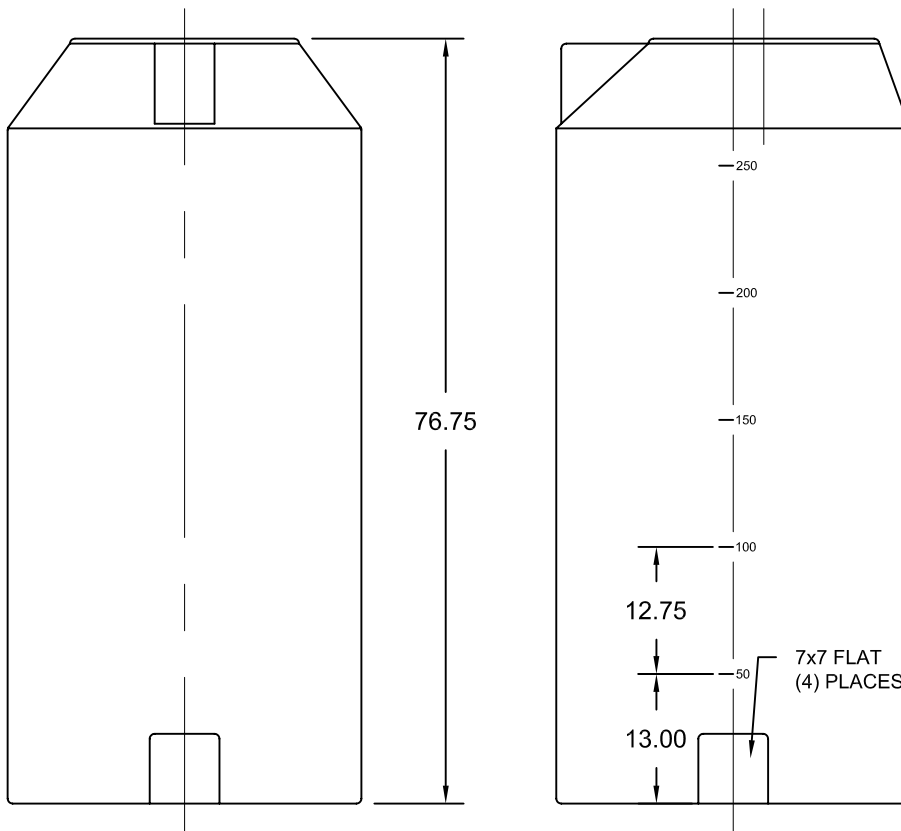
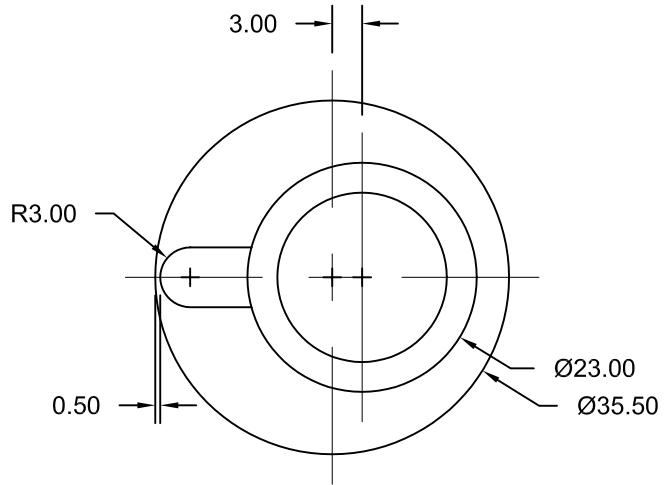


**STORAGE TANK**

**CAPACITY** 300 GALLON  
**TYPE** ABOVE GROUND  
**MATERIAL** VERTICAL  
**FEATURES** POLYETHYLENE  
 TIE DOWN SLOTS  
 GALLON INDICATORS  
 OFFSET FILL WELL  
 SELF VENTED SLOSH  
 PROOF LID



<b>NOT FOR CONSTRUCTION, INSTALLATION OR APPLICATION PURPOSES UNLESS CERTIFIED</b>		
CERTIFIED FOR:		
CUSTOMER ORDER NO.:	TAG NO.	
SHOP ORDER:	CERTIFIED BY:	DATE: