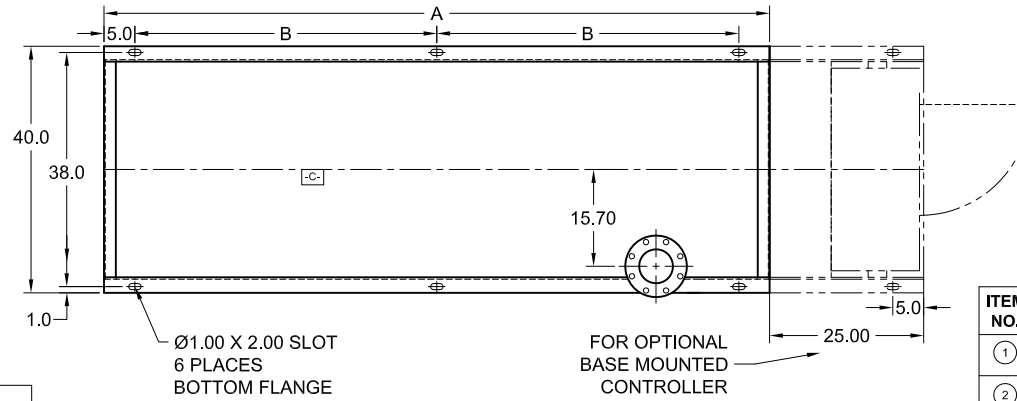


CLARKE FIRE PUMP DRIVERS
EPA NSPS TIER 3 ENGINE MODELS
HSC 8100 & 9100 SERIES PUMPS

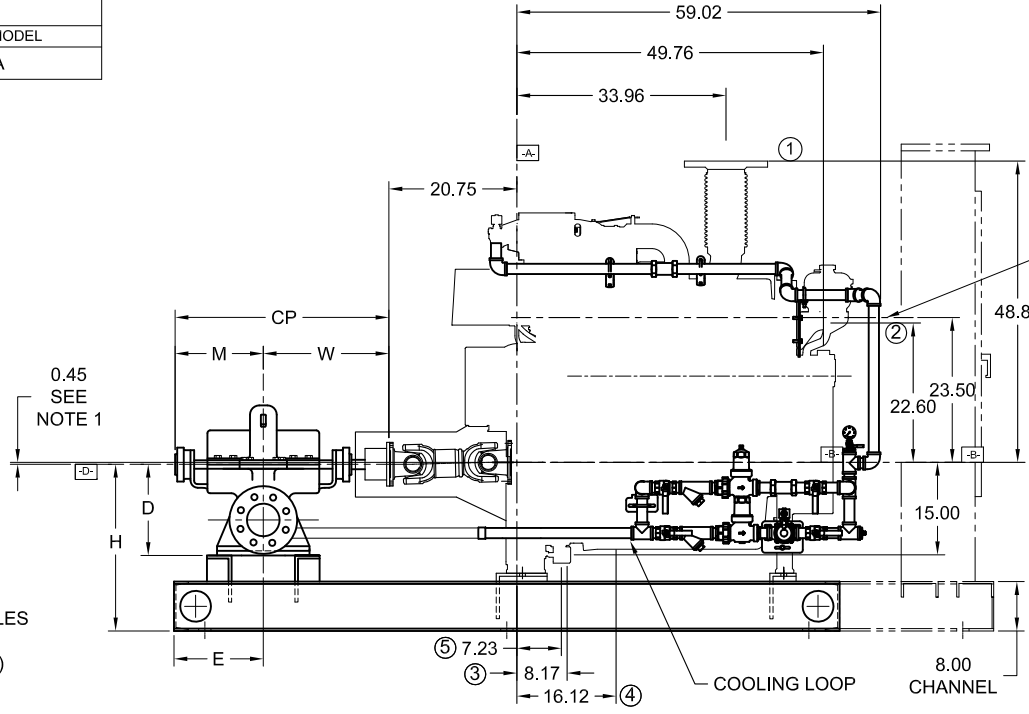
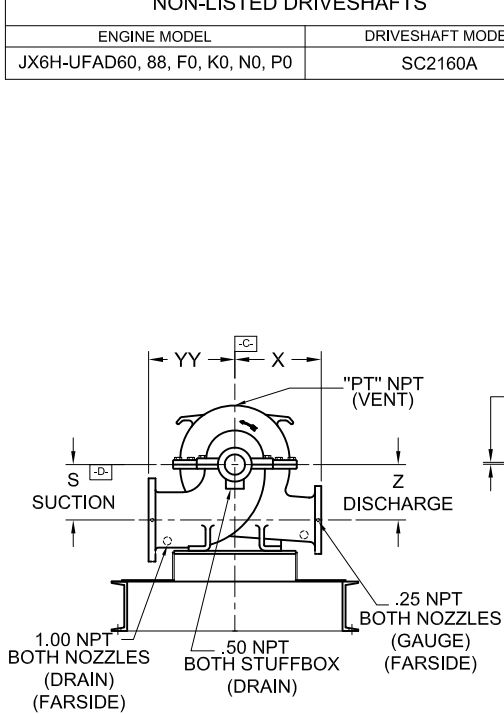


- A- - MOUNTING FACE OF FLYWHEEL
- B- - ENGINE CRANKSHAFT HORIZONTAL CENTERLINE
- C- - ENGINE CRANKSHAFT VERTICAL CENTERLINE
- D- - PUMP SHAFT HORIZONTAL CENTERLINE



NON-LISTED DRIVESHAFTS	
ENGINE MODEL	DRIVESHAFT MODEL
JX6H-UFAD60, 88, F0, K0, N0, P0	SC2160A

ITEM NO.	DESCRIPTION	CONNECTION SIZE
①	EXHAUST OUTLET CONNECTION	8" 150# FLG.
②	RAW WATER OUTLET	SEE NOTE 6.
③	FUEL SUPPLY CONNECTION	3/4" NPTF
④	FUEL RETURN CONNECTION	1/2" NPTF
⑤	HEATER JUNCTION BOX	VOLTAGE REQUIREMENTS: AC CONNECTION HEATER 2500 WATTS STD- 230 VAC ±5%-10% OPT- 115 VAC ±5%-10%



- NOTES:**
1. THE DRIVE SHAFT IS DESIGNED TO OPERATE AT A 2° ANGLE WITH THE INPUT AND OUTPUT SHAFTS IN PARALLEL. THE ENGINE CRANKSHAFT IS TO BE SET WITH A PARALLEL OFFSET OF 0.45 ± 0.15 INCHES VERTICALLY ABOVE THE PUMP SHAFT AND 0.00" ± 0.15 INCH PARALLEL OFFSET HORIZONTALLY RIGHT OR LEFT OF THE PUMP SHAFT. REFER TO THE CERTIFIED DRIVESHAFT INSTRUCTIONS MANUAL FOR ALIGNMENT INSTRUCTIONS.
 2. BASE MUST BE COMPLETELY FILLED WITH GROUT PER NFPA 20.
 3. PUMP IS CW (CLOCKWISE) ROTATION WHEN VIEWED FROM THE COUPLING END.
 4. ALL DIMENSIONS ARE IN INCHES.
 5. SUCTION AND DISCHARGE FLANGES DRILLED PER ANSI B16.1 (IF APPLICABLE).
 6. RAW WATER DRAIN PIPING SIZE VARIES BASED UPON SITE CONDITIONS. ENIGNE CONN. SIZE: 1-1/2" NPT

PUMP TYPE	PUMP SIZE	DIMENSIONS													
		SUCT.	DISCH.	A	B	H	E	M	W	CP	D	YY	X	S	Z
8100 SERIES															
10x8x20 F	10	8	108	49	32	17.44	17.00	22.56	39.56	20.00	20.00	18.00	14.00	14.00	0.50
12x10x18 F	12	10	108	49	31	17.44	17.00	22.56	39.56	18.00	20.00	18.00	11.00	11.00	0.50
9100 SERIES															
12x8x21 F	12	8	118	54	31	21.75	21.75	28.25	50.00	19.00	21.00	21.00	12.00	12.00	1.00
12x8x22 F	12	8	118	54	31	21.75	21.75	28.25	50.00	19.00	21.00	21.00	12.00	12.00	1.00
14x10x20 F	14	10	118	54	34	19.50	23.75	30.50	54.25	21.00	21.00	19.00	13.00	13.00	1.00

NOT FOR CONSTRUCTION, INSTALLATION OR APPLICATION PURPOSES UNLESS CERTIFIED.									
CERTIFIED FOR:							APPROVAL		
CUSTOMER ORDER NO:							IDENTIFICATION NO:		
PUMP DATA		SIZE	MODEL	CURVE NO.	GPM	HEAD (FT.)	ROTATION	SUCTION	DISCHARGE
ENGINE DATA		MAKE	MODEL	HP	RPM	VOLTAGE	POLARITY	MAX ALTITUDE	
SHOP ORDER:				CERTIFIED BY:			TOTAL WEIGHT		DATE:
							UL	FM	ULC

ALL VIEWS 3rd ANGLE PROJECTION