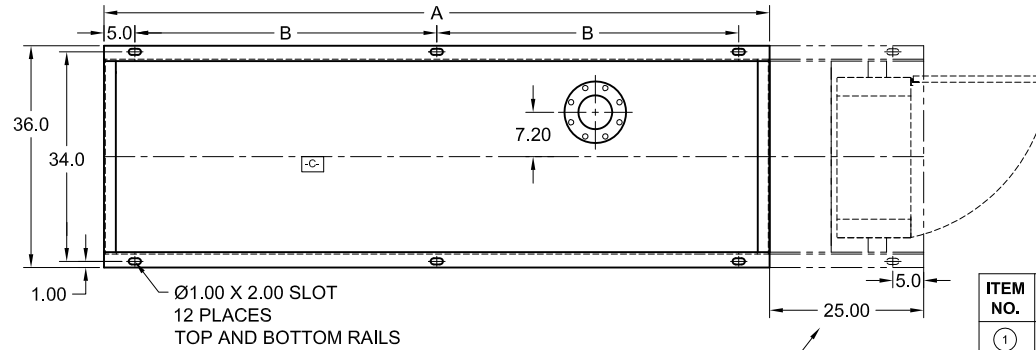


**CLARKE FIRE PUMP DRIVERS**  
**EPA NSPS TIER 3 ENGINE MODELS**  
**HSC 8100 & 9100 SERIES PUMPS**



- A- - MOUNTING FACE OF FLYWHEEL
- B- - ENGINE CRANKSHAFT HORIZONTAL CENTERLINE
- C- - ENGINE CRANKSHAFT VERTICAL CENTERLINE
- D- - PUMP SHAFT HORIZONTAL CENTERLINE



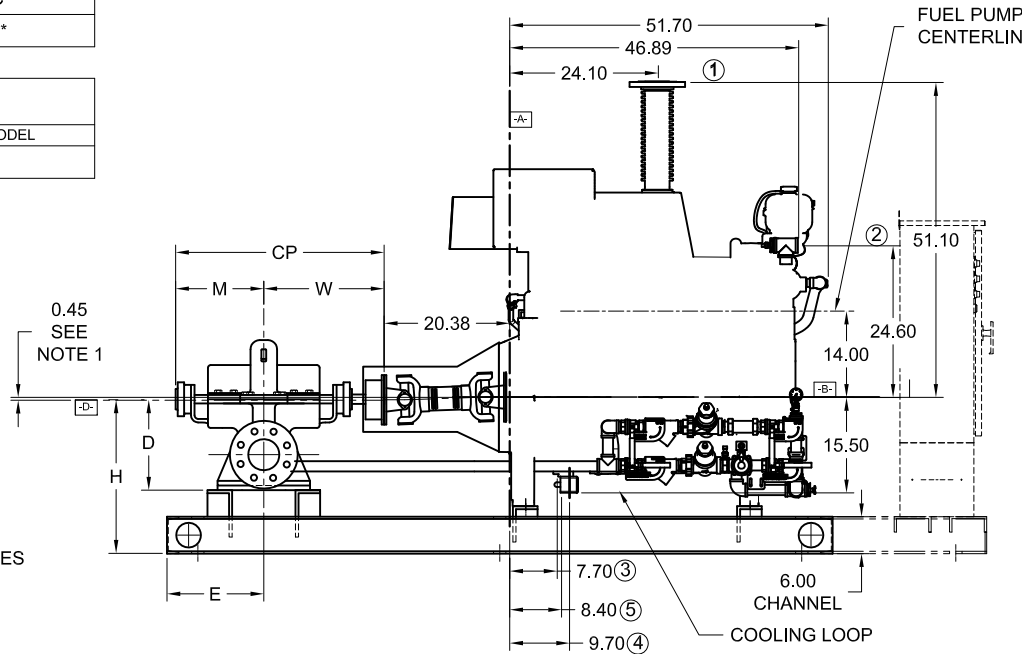
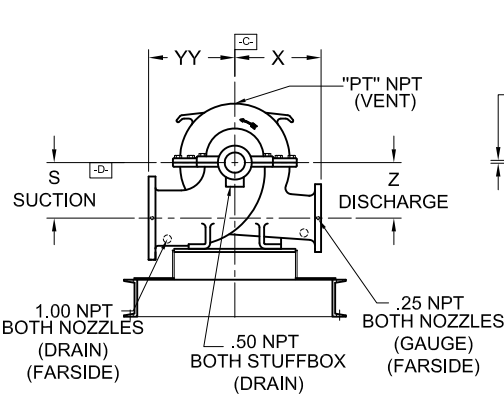
UL LISTED DRIVESHAFTS	
ENGINE MODEL	DRIVESHAFT MODEL
JW6H-UFAD70, F0, J0, D0	CDS50-SC
JW6H-UFAD80	CDS50-SC*

\*2100 RPM ONLY

NON-LISTED DRIVESHAFTS	
ENGINE MODEL	DRIVESHAFT MODEL
JW6H-UFAD80	SC81A*

\*1760 RPM ONLY

ITEM NO.	DESCRIPTION	CONNECTION SIZE
①	EXHAUST OUTLET CONNECTION	6" 125# FLG.
②	RAW WATER OUTLET	SEE NOTE 6.
③	FUEL SUPPLY CONNECTION	1/2" NPTF
④	FUEL RETURN CONNECTION	3/8" NPTF
⑤	HEATER JUNCTION BOX	VOLTAGE REQUIREMENTS: AC CONNECTION HEATER 2500 WATTS STD- 230 VAC ±5%-10% OPT- 115 VAC ±5%-10%



**NOTES:**

- THE DRIVE SHAFT IS DESIGNED TO OPERATE AT A 2° ANGLE WITH THE INPUT AND OUTPUT SHAFTS IN PARALLEL. THE ENGINE CRANKSHAFT IS TO BE SET WITH A PARALLEL OFFSET OF 0.45 ± 0.11 INCHES VERTICALLY ABOVE THE PUMP SHAFT AND 0.00" ± 0.11 INCH PARALLEL OFFSET HORIZONTALLY RIGHT OR LEFT OF THE PUMP SHAFT. REFER TO THE CERTIFIED DRIVESHAFT INSTRUCTIONS MANUAL FOR ALIGNMENT INSTRUCTIONS.
- BASE MUST BE COMPLETELY FILLED WITH GROUT PER NFPA 20.
- PUMP IS CW (CLOCKWISE) ROTATION WHEN VIEWED FROM THE COUPLING END.
- ALL DIMENSIONS ARE IN INCHES.
- SUCTION AND DISCHARGE FLANGES DRILLED PER ANSI B16.1 (IF APPLICABLE).
- RAW WATER DRAIN PIPING SIZE VARIES BASED UPON SITE CONDITIONS. ENGINE CONN. SIZE: 1-1/2" NPT

PUMP TYPE	PUMP SIZE		DIMENSIONS												
	SUCT.	DISCH.	A	B	H	E	M	W	CP	D	YY	X	S	Z	PT
8100 SERIES															
8x6x18 F	8	6	108	49	24	18.75	15.62	21.25	36.87	14.00	16.00	14.00	9.00	9.00	0.50
10x8x17 F	10	8	108	49	26	17.44	17.00	22.56	39.56	16.00	18.00	16.00	10.00	10.00	0.50
10x8x20 F	10	8	108	49	30	17.44	17.00	22.56	39.56	20.00	20.00	18.00	14.00	14.00	0.50
12x10x18 F	12	10	108	49	28	17.44	17.00	22.56	39.56	18.00	20.00	18.00	11.00	11.00	0.50
9100 SERIES															
12x8x21 F	12	8	118	54	28	21.75	21.75	28.25	50.00	19.00	21.00	21.00	12.00	12.00	1.00
12x8x22 F	12	8	118	54	28	21.75	21.75	28.25	50.00	19.00	21.00	21.00	12.00	12.00	1.00
14x10x20 F	14	10	118	54	31	19.50	23.75	30.50	54.25	21.00	21.00	19.00	13.00	13.00	1.00

NOT FOR CONSTRUCTION, INSTALLATION OR APPLICATION PURPOSES UNLESS CERTIFIED.								
CERTIFIED FOR:						APPROVAL		
						UL FM ULC		
CUSTOMER ORDER NO:			IDENTIFICATION NO:			FLANGES		
PUMP DATA	SIZE	MODEL	CURVE NO.	GPM	HEAD (FT.)	ROTATION	SUCTION	DISCHARGE
						CW		
ENGINE DATA	MAKE	MODEL	HP	RPM	VOLTAGE	POLARITY	MAX ALTITUDE	
	CLARKE					NEG.		
SHOP ORDER:			CERTIFIED BY:			TOTAL WEIGHT		DATE: