

CLARKE FIRE PUMP DRIVERS
EPA NSPS TIER 3 ENGINE MODELS
HSC 8100 SERIES PUMPS

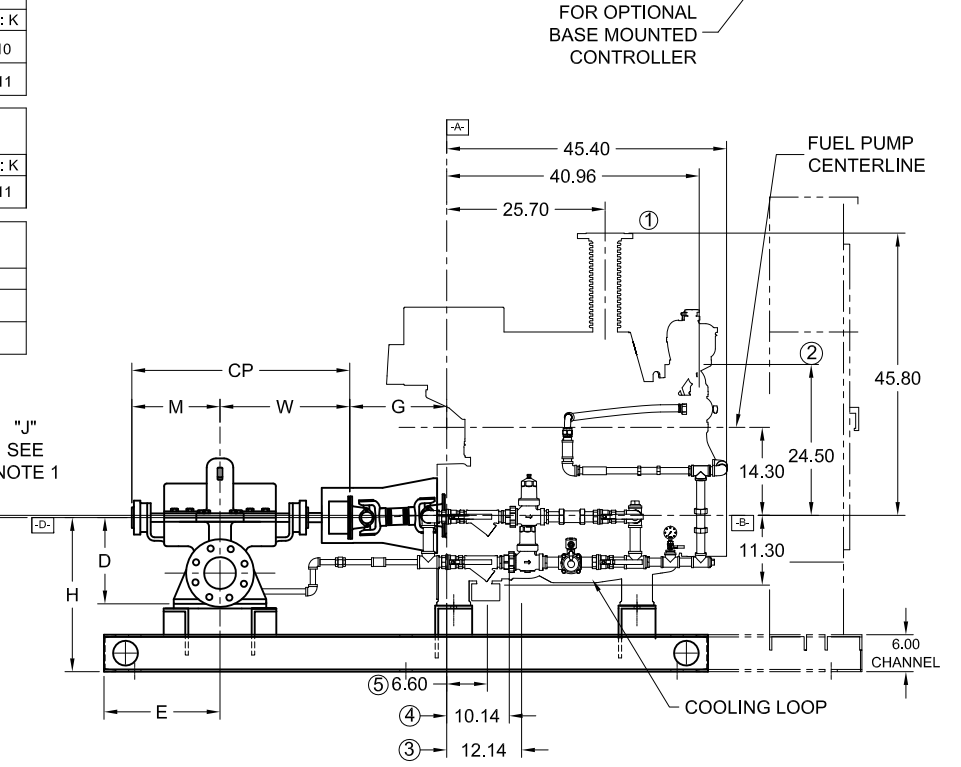
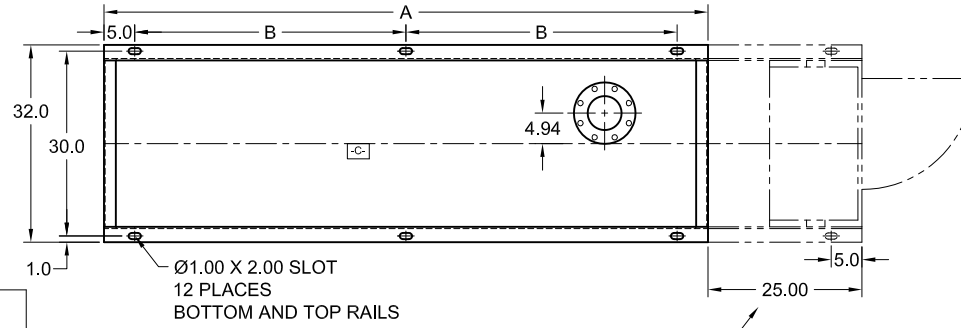


- A- - MOUNTING FACE OF FLYWHEEL
- B- - ENGINE CRANKSHAFT HORIZONTAL CENTERLINE
- C- - ENGINE CRANKSHAFT VERTICAL CENTERLINE
- D- - PUMP SHAFT HORIZONTAL CENTERLINE

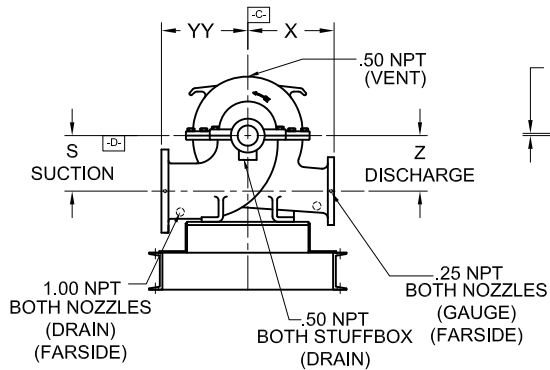
UL LISTED DRIVESHAFTS				
ENGINE MODEL	DRIVESHAFT MODEL	DIM: G	DIM: J	DIM: K
JU6H-UFAD58, K0, M8, MG, N0, NG, Q0, R0	CDS30-S1	15.75	0.35	0.10
JU6H-UFAD88, 98, P8, R8, S8, W8, X8	CDS50-SC	20.38	0.45	0.11

NON-LISTED DRIVESHAFTS				
ENGINE MODEL	DRIVESHAFT MODEL	DIM: G	DIM: J	DIM: K
JU6H-UFADP0, S0, T0	CDS50-SC (SC81A) NON LISTED	20.38	0.45	0.11

EXHAUST OUTLET CONNECTION	
ENGINE MODEL	EXHAUST SIZE
JU6H-UFADK0, 58, NG, NO, 88, P8, M8, MG	5" 150# FLANGE
JU6H-UFADQ0, P0, T0, R0, R8, S8, S0, W8, X8, 98	6" 150# FLANGE



ITEM NO.	DESCRIPTION	CONNECTION SIZE
①	EXHAUST OUTLET CONNECTION	SEE EXHAUST LISTING
②	RAW WATER OUTLET	SEE NOTE 6.
③	FUEL SUPPLY CONNECTION	1/2" NPTF
④	FUEL RETURN CONNECTION	3/8" NPTF
⑤	HEATER JUNCTION BOX	VOLTAGE REQUIREMENTS: AC CONNECTION HEATER 1360 WATTS STD- 115 VAC ±5%-10% OPT- 230 VAC ±5%-10%



NOTES:

- THE DRIVE SHAFT IS DESIGNED TO OPERATE AT A 2° ANGLE WITH THE INPUT AND OUTPUT SHAFTS IN PARALLEL. THE ENGINE CRANKSHAFT IS TO BE SET WITH A PARALLEL OFFSET OF "J" ± "K" INCHES VERTICALLY ABOVE THE PUMP SHAFT AND 0.00" ± "K" INCH PARALLEL OFFSET HORIZONTALLY RIGHT OR LEFT OF THE PUMP SHAFT. REFER TO THE CERTIFIED DRIVESHAFT INSTRUCTIONS MANUAL FOR ALIGNMENT INSTRUCTIONS.
- BASE MUST BE COMPLETELY FILLED WITH GROUT PER NFPA 20.
- PUMP IS CW (CLOCKWISE) ROTATION WHEN VIEWED FROM THE COUPLING END.
- ALL DIMENSIONS ARE IN INCHES.
- SUCTION AND DISCHARGE FLANGES DRILLED PER ANSI B16.1 (IF APPLICABLE).
- RAW WATER DRAIN PIPING SIZE VARIES BASED UPON SITE CONDITIONS. ENGINE CONN. SIZE: 1-1/4" NPT

PUMP TYPE	PUMP SIZE		DIMENSIONS											
	SUCT.	DISCH.	A	B	H	E	M	W	CP	D	YY	X	S	Z
3x2x11 F	3	2	88	39	20	14.00	12.25	16.00	28.25	8.00	10.00	9.00	5.50	5.50
6x4x12 F	6	4	88	39	21	12.50	13.25	17.50	30.75	12.00	13.00	11.50	7.75	7.75
8x6x12 F	8	6	88	39	24	12.50	13.25	17.50	30.75	14.00	14.00	14.00	9.00	9.00
8x6x13 F	8	6	98	44	23	18.75	15.62	21.25	36.87	12.75	15.50	13.00	8.00	8.00
8x6x18 F	8	6	98	44	24	18.75	15.62	21.25	36.87	14.00	16.00	14.00	9.00	9.00
8x8x12 F	8	8	98	44	23	18.75	15.62	21.25	39.87	12.75	16.50	14.00	8.00	8.00
8x8x17 F	8	8	98	44	24	17.44	17.00	22.56	39.56	14.50	16.50	15.00	9.50	9.50
10x8x17 F	10	8	98	44	26	17.44	17.00	22.56	39.56	16.00	18.00	16.00	10.00	10.00
10x8x20 F	10	8	98	44	30	17.44	17.00	22.56	39.56	20.00	20.00	18.00	14.00	14.00
12x10x18 F	12	10	98	44	29	17.44	17.00	22.56	39.56	18.00	20.00	18.00	11.00	11.00

NOT FOR CONSTRUCTION, INSTALLATION OR APPLICATION PURPOSES UNLESS CERTIFIED.									
CERTIFIED FOR:					APPROVAL				
CUSTOMER ORDER NO:					IDENTIFICATION NO:				
PUMP DATA	SIZE	MODEL	CURVE NO.	GPM	HEAD (FT.)	ROTATION	SUCTION	DISCHARGE	FLANGES
	MAKE	MODEL	HP	RPM	VOLTAGE	POLARITY	MAX ALTITUDE		
ENGINE DATA	CLARKE		NEG.						
SHOP ORDER:			CERTIFIED BY:			TOTAL WEIGHT		DATE:	