

- Highly efficient ECM technology
- Long lasting, silent operation
- Saves thousands of gallons of water
- Resistant to scale build up
- No shaft, no seal
- Maintenance free without blockage
- Single bearing design



Laing Thermotech Series autocirc[®]

INSTANT HOT WATER SYSTEM
AS LITTLE AS 14 WATTS!

BR-25A

 **GOULDS**
WATER TECHNOLOGY
a xylem brand

Get instant hot water at every faucet with as little as 14 watts!

How autocirc Works

The autocirc is the most efficient system, turning on only when the system needs to be replenished with hot water. The pump is installed under the sink farthest from the water heater where hot water takes the longest to arrive. No recirculation line is required.

Adjustable Thermostat Models

- For models with the adjustable thermostat, there is an adjustable "ON" temperature range from 77°F to 91°F (25°C to 33°C). This built-in temperature sensor will turn the circulator OFF when it reaches 95°F (35°C) and turn the circulator ON when the temperature cools down to the "ON" temperature set point.

Fixed Thermostat Models

- A built-in temperature sensor automatically turns the pump ON when water temperature in the hot water line cools down to 85°F. Water is then pumped from the hot to cold line. The autocirc pump turns OFF automatically when water temperature reaches 95°F, ensuring instant availability of shower warm water with maximum temperature hot water only seconds behind. When the pump is OFF, a built-in auto closure device prevents any other hot-to-cold line or cold-to-hot line mix.



Design

The autocirc has a spherical motor. The only moving part of the pump is a spherical rotor/impeller unit which is suspended on a wear resistant ceramic ball. Laing pumps are completely shaft-less. The patented, Laing design eliminates problem shafts, seals and cylindrical bearings found on conventional, mechanically sealed canned pumps.

Hot water will also be instantly available at all other faucets located on the hot water supply line between the water heater and the faucet where the autocirc is installed.

No return line required! Installs within minutes, directly under the sink.

Benefits

- Silent during operation
- Requires only one pump and one installation for all fixtures on the hot water plumbing line
- Does not require a return line
- Saves the average family of four thousands of gallons of water annually
- Saves money and pays for itself in a short period of time

Features

- Built-in 24-hour timer which allows the selection of system operating periods to suit family usage
- Built-in fixed thermostat or an optional, adjustable ON thermostat
- Comes complete with a 6 ft. long power cord

Technical Data

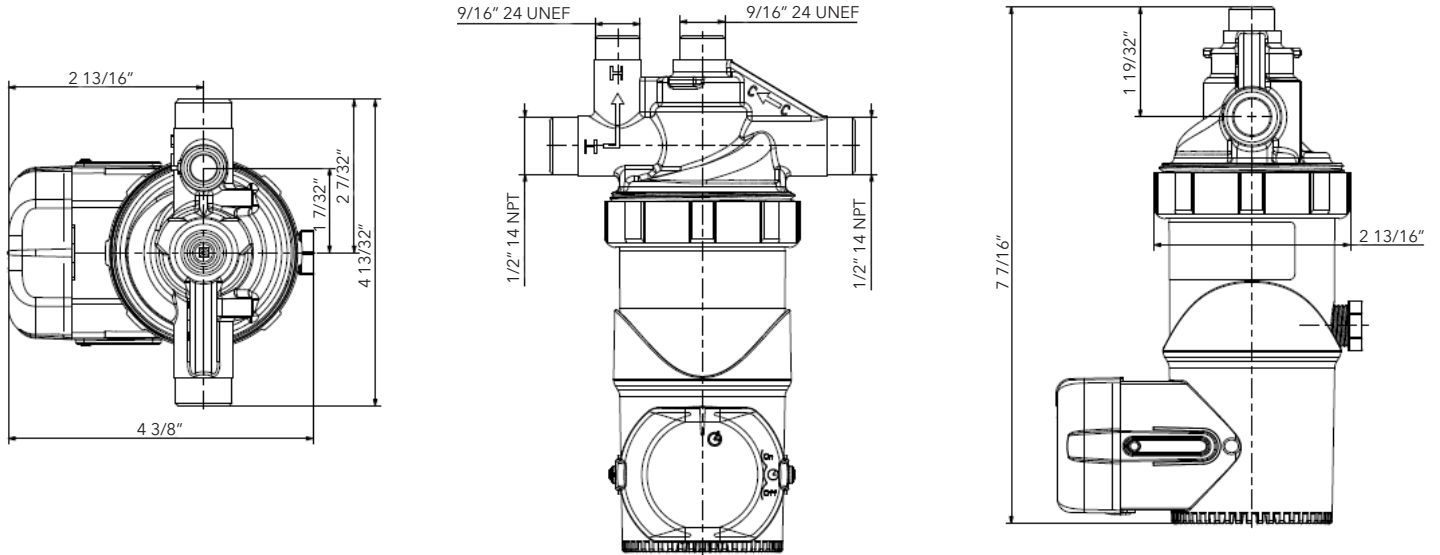
Motor Design:	Shaft-less spherical motor
Input:	14 Watts
Maximum Fluid Temperature:	203°F / 95°C
Maximum Line Pressure:	145 PSI
Compatible Fluids:	Potable water



Available Models

Part Number	Description	Model	Weight
LHB08100092	Lead Free Brass* Autocirc 1/2" Fixed Thermostat with Timer	E1-BCANCT1W-06	4 lbs.
LHB08100093	Lead Free Brass* Autocirc 1/2" Adjustable "ON" Thermostat with Timer	E1-BCANRT1W-06	4 lbs.

*Less than 0.25% Pb by weight on wetted parts surface areas.



Xylem Inc.
3878 S. Willow, Suite 104
Fresno, CA 93725
Tel: (559) 265-4730 (800) 554-6853
Fax: (559) 265-4740 (800) 453-7523
www.Laing-thermotech.com

Goulds is a registered trademark of Goulds Pumps, Inc. and is used under license. © 2016 Xylem Inc. BR-25A June 2016